

GENERAL NOTES :

- 1) THE ANCHORAGE METHODS SHOWN HAVE BEEN DESIGNED TO COMPLY WITH THE FLORIDA BUILDING CODE FOR THE DESIGN PRESSURES LISTED IN THE APPLICABLE PRODUCT TEST REPORTS.
- 2) WOOD BUCKS DEPICTED AS 1X ARE LESS THAN 1-1/2" THICK. 1X WOOD BUCKS ARE OPTIONAL IF UNIT IS INSTALLED DIRECTLY TO SOLID CONCRETE. WOOD BUCKS DEPICTED AS 2X ARE 1-1/2" THICK OR GREATER. ATTACHMENT METHOD OF WOOD BUCKS SHALL BE DONE BY OTHERS.
- 3) SEE TABLE 1 FOR MINIMUM EDGE DISTANCE FROM CENTER OF ANCHOR TO SUBSTRATE EDGE (EXCLUDING FINISH OR STUCCO).
- 4) SHIM EACH ANCHOR LOCATION WHERE THE PRODUCT IS NOT FLUSH TO THE SUBSTRATE, USING SHIMS CAPABLE OF TRANSFERRING APPLIED LOADS.
- 5) ANCHORS SHALL BE COATED OR CORROSION RESISTANT AS APPROPRIATE FOR SUBSTRATE MATERIAL. DISSIMILAR MATERIALS SHALL BE PROTECTED AS REQUIRED TO PREVENT REACTIONS. ALUMINUM SHALL BE PROTECTED FROM DISSIMILAR MATERIALS AS SPECIFIED IN FLORIDA BUILDING CODE CHAPTER 20.
- 6) ADHESIVE SEALANT SHALL BE USED BETWEEN SUBSTRATE AND FLANGE OR FIN. OVERALL SEALING/FLASHING STRATEGY FOR WATER RESISTANCE OF INSTALLATION SHALL BE DONE BY OTHERS.
- 7) MATERIALS USED FOR ANCHOR EVALUATIONS WERE SOUTHERN PINE, 2.7 KSI CONCRETE AND CONCRETE MASONRY UNITS COMPLYING WITH ASTM C-90. GLAZING COMPLIES WITH ASTM E1300-04.
- 8) THE 1/3 STRESS INCREASE WAS NOT USED IN THIS ANCHOR EVALUATION. THE 1.6 LOAD DURATION FACTOR WAS USED FOR THE EVALUATION OF WOOD SCREWS.
- 9) IF THE EXACT PRODUCT SIZE IS NOT LISTED IN THE TABLES, ALWAYS ROUND UP TO THE NEXT LARGER VALUE.

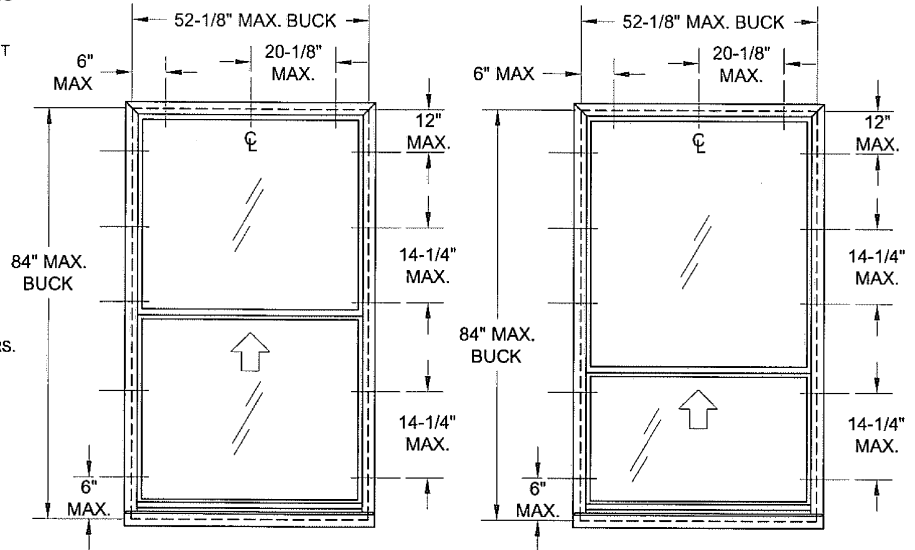


TABLE 2:

Sash Style	Size		Design Pressure		Required Locks	Reinforcement	Certification Number	Test #	
	Width	Height	(+) psf	(-) psf					
Equal Lite	36"	64"	50	50	2	(3)	190-781	6397	
	44"	62"	45	45	1	(3)	190-723	95227.01	
		63"	50	50	2	(3)	190-780	6398	
	44"	75"	45	50	1	(1)	190-727	93746.03	
			45	50	2	(2)	190-722	95227.01	
		84"	50	50	1	(1), (4)	190-741	93746.03	
			50	50	2	(2), (4)	190-740	95227.01	
	52-1/8"	44"	45	50	2	(1)	190-725	93746.03	
			40	50	2	(2)	190-720	95227.01	
		62"	45	45	2	(1)	190-714	93746.01	
			50	50	2	(2)	190-718	93746.02	
		75"	35	35	2	(2)	190-716	93746.02	
35			40	2	(1)	190-712	93746.01		
44"			62"	50	50	1	(3)	190-724	95227.01
			84"	50	50	2	(1)	190-726	93746.03
52-1/8"	44"	50	50	2	(2)	190-721	95227.01		
		45	45	2	(1)	190-715	93746.01		
		50	50	2	(2)	190-719	93746.02		
	75"	35	35	2	(2)	190-717	93746.02		
		35	35	2	(2)	190-713	93746.01		
		35	35	2	(1)	190-713	93746.01		

- (1) Steel Reinf. in all four sash members, and Alum Reinf. in Fixed Keeper Rail.
- (2) Alum Reinf. in all four sash members and Fixed Keeper Rail.
- (3) Alum Reinf. in Fixed Keeper Rail.
- (4) Nylon Support Clips at each Tilt Latch

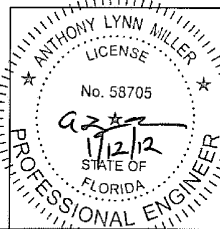
EQUAL-LITE SASH STYLE

ORIEL SASH STYLE

TABLE 1:

Anchor Type	Substrate	Min. Edge Dist.	Min. Embedment
#10 Steel SMS	Wood (Southern Pine)	7/8"	1-3/8"
	Steel Stud Gr 33	3/8"	.045 (18 GA)
	Aluminum-6063-T5	3/8"	1/8"
	Steel, A36	3/8"	1/8"
3/16" Masonry Anchor	Concrete	1"	1-3/8"
	Hollow CMU	1"	1-1/4"

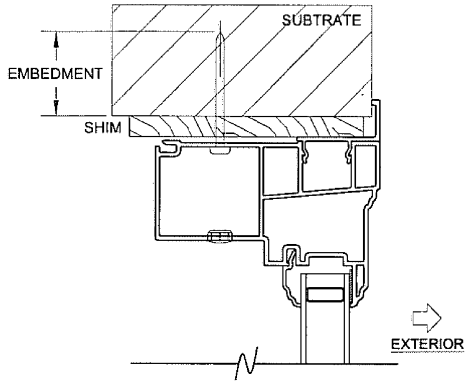
NOTE: FOR ALL METAL SUBSTRATES, SCREW EMBEDMENT SHALL BE MIN. 3 THREADS BEYOND INSIDE FACE OF MATERIAL.



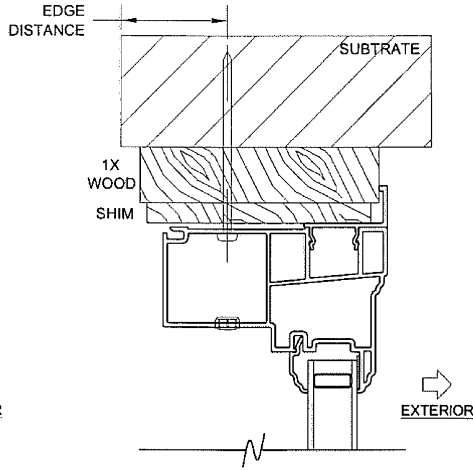
PGT
 1070 TECHNOLOGY DRIVE
 NOKOMIS, FL 34275
 FL CERT. OF AUTH.: 29296
 A. Lynn Miller, P.E.
 P.E. #58705

Drawn By: J. ROSOWSKI	Date: 03/15/11	Material: RIGID PVC	THE INFORMATION, DESIGN OR DATA CONTAINED HEREIN IS THE EXCLUSIVE PROPERTY OF PGT INDUSTRIES AND CONSIDERED CONFIDENTIAL AND PROPRIETARY. NO PORTION OF THIS DOCUMENT MAY BE USED OR REPRODUCED IN ANY FORM WITHOUT THE EXPRESSED WRITTEN PERMISSION OF PGT INDUSTRIES.
Revised By:	Date:	Revisions:	
Description: Title: SINGLE HUNG INSTALLATION			
Series/Model: SH-2200	Scale: NTS	Sheet: 1 of 3	Drawing No. 1031511JR
Rev:			

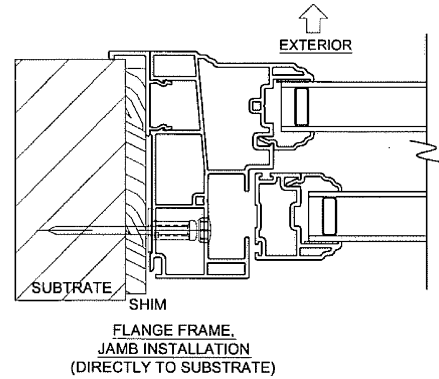
INSTALLATION WITH FLANGE FRAME



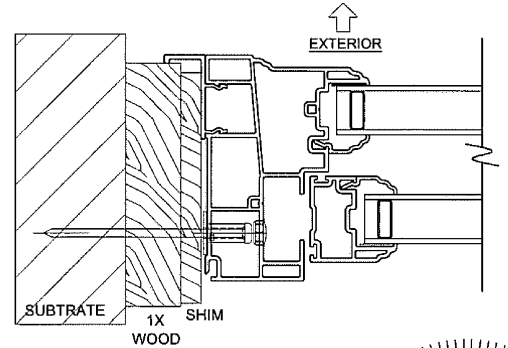
FLANGE FRAME,
HEAD INSTALLATION
(DIRECTLY TO SUBSTRATE)



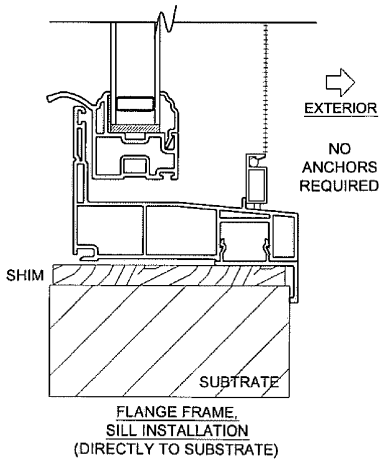
FLANGE FRAME,
HEAD INSTALLATION
(USING 1X BUCKSTRIP)



FLANGE FRAME,
JAMB INSTALLATION
(DIRECTLY TO SUBSTRATE)

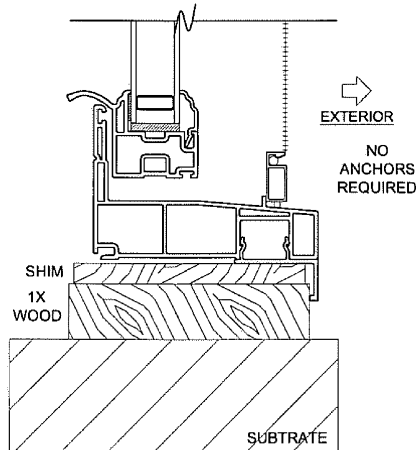


FLANGE FRAME,
JAMB INSTALLATION
(USING 1X BUCKSTRIP)



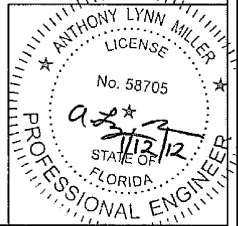
FLANGE FRAME,
SILL INSTALLATION
(DIRECTLY TO SUBSTRATE)

NO ANCHORS
REQUIRED




FLANGE FRAME,
SILL INSTALLATION
(USING 1X BUCKSTRIP)

NO ANCHORS
REQUIRED

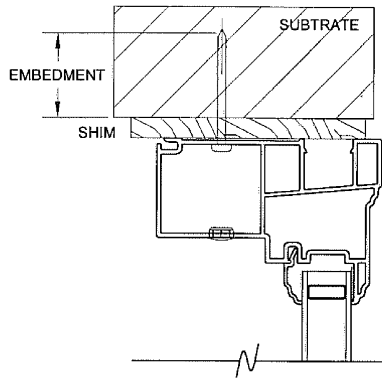


INSTALLATION NOTES:

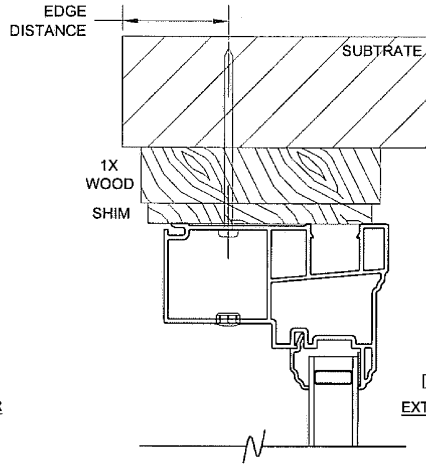
- 1) SEE SHEET 1 FOR ANCHORAGE, SUBSTRATE AND SPACING REQUIREMENTS.
- 2) MAX. SHIM THICKNESS TO BE 1/4".
- 3) ANCHOR MAY HAVE ALTERNATE HEAD TYPES FROM THOSE SHOWN.

 1070 TECHNOLOGY DRIVE NOKOMIS, FL 34275 FL CERT. OF AUTH. : 29296	Drawn By: J. ROSOWSKI	Date: 03/15/11	Material: RIGID PVC	THE INFORMATION, DESIGN OR DATA CONTAINED HEREIN IS THE EXCLUSIVE PROPERTY OF PGT INDUSTRIES AND CONSIDERED CONFIDENTIAL AND PROPRIETARY. NO PORTION OF THIS DOCUMENT MAY BE USED OR REPRODUCED IN ANY FORM WITHOUT THE EXPRESSED WRITTEN PERMISSION OF PGT INDUSTRIES.
	Revised By:	Date:	Revisions:	
Description: 				Title: <h3 style="text-align: center;">SINGLE HUNG INSTALLATION</h3>
Series/Model: SH-2200	Scale: NTS	Sheet: 2 of 3	Drawing No. 1031511JR	
A. Lynn Miller, P.E. P.E. #58705		Rev:		

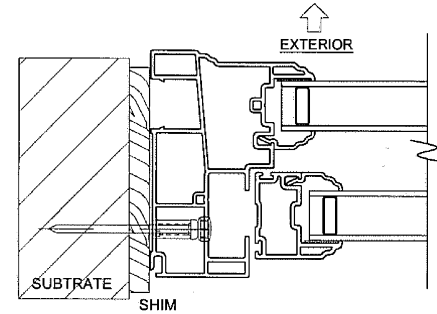
INSTALLATION WITH EQUAL-LEG FRAME



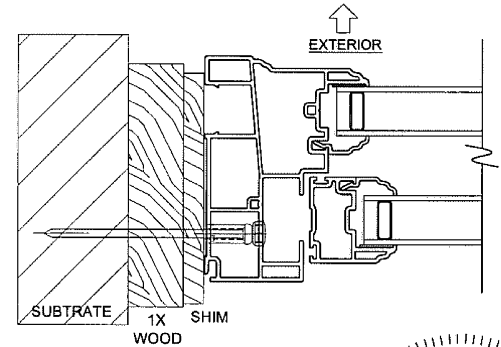
EQUAL LEG FRAME,
HEAD INSTALLATION
(DIRECTLY TO SUBSTRATE)



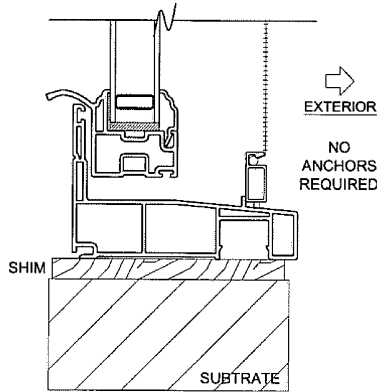
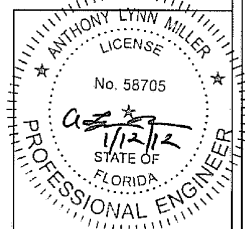
EQUAL LEG FRAME,
HEAD INSTALLATION
(USING 1X BUCKSTRIP)



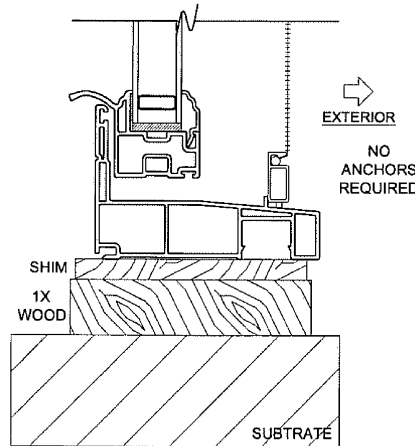
EQUAL LEG FRAME,
JAMB INSTALLATION
(DIRECTLY TO SUBSTRATE)



EQUAL LEG FRAME,
JAMB INSTALLATION
(USING 1X BUCKSTRIP)



EQUAL LEG FRAME,
SILL INSTALLATION
(DIRECTLY TO SUBSTRATE)



EQUAL LEG FRAME,
SILL INSTALLATION
(USING 1X BUCKSTRIP)

INSTALLATION NOTES:

- 1) SEE SHEET 1 FOR ANCHORAGE, SUBSTRATE AND SPACING REQUIREMENTS.
- 2) MAX. SHIM THICKNESS TO BE 1/4".
- 3) ANCHOR MAY HAVE ALTERNATE HEAD TYPES FROM THOSE SHOWN.

	Drawn By:	Date:	Material:	THE INFORMATION, DESIGN OR DATA CONTAINED HEREIN IS THE EXCLUSIVE PROPERTY OF PGT INDUSTRIES AND CONSIDERED CONFIDENTIAL AND PROPRIETARY. NO PORTION OF THIS DOCUMENT MAY BE USED OR REPRODUCED IN ANY FORM WITHOUT THE EXPRESSED WRITTEN PERMISSION OF PGT INDUSTRIES.		
	J. ROSOWSKI	03/15/11	RIGID PVC			
Revised By:	Date:	Revisions:				
Description:						
Title: <h2 style="text-align: center;">SINGLE HUNG INSTALLATION</h2>						
A. Lynn Miller, P.E. P.E. #58705		Series/Model:	Scale:	Sheet:	Drawing No.:	Rev.:
		SH-2200	NTS	3 of 3	1031511JR	