



DEPARTMENT OF PERMITTING, ENVIRONMENT, AND REGULATORY  
AFFAIRS (PERA)  
BOARD AND CODE ADMINISTRATION DIVISION

MIAMI-DADE COUNTY, FLORIDA  
PRODUCT CONTROL SECTION  
11805 SW 26 Street, Room 208  
Miami, Florida 33175-2474  
T (786) 315-2590 F (786) 315-2599  
[www.miamidade.gov/pera/](http://www.miamidade.gov/pera/)

**NOTICE OF ACCEPTANCE (NOA)**

**PGT Industries**  
**1070 Technology Drive**  
**Nokomis, Fl 34275**

**SCOPE:**

This NOA is being issued under the applicable rules and regulations governing the use of construction materials. The documentation submitted has been reviewed and accepted by Miami-Dade County PERA-Product Control Section to be used in Miami-Dade County and other areas where allowed by the Authority Having Jurisdiction (AHJ).

This NOA shall not be valid after the expiration date stated below. The Miami-Dade County Product Control Section (In Miami-Dade County) and/or the AHJ (in areas other than Miami-Dade County) reserve the right to have this product or material tested for quality assurance purposes. If this product or material fails to perform in the accepted manner, the manufacturer will incur the expense of such testing and the AHJ may immediately revoke, modify, or suspend the use of such product or material within their jurisdiction. PERA reserves the right to revoke this acceptance, if it is determined by Miami-Dade County Product Control Section that this product or material fails to meet the requirements of the applicable building code.

This product is approved as described herein, and has been designed to comply with the Florida Building Code, including the High Velocity Hurricane Zone.

**DESCRIPTION: Series "CA-740" Aluminum Projected Window - L.M.I.**

**APPROVAL DOCUMENT:** Drawing No. 7052-7, titled "Alum. Projected Windows, Impact", sheets 1 through 11 of 11, prepared by manufacturer, dated 02/24/03 with revision "D" dated 10/25/11, signed and sealed by Anthony Lynn Miller, P. E., bearing the Miami-Dade County Product Control Revision stamp with the Notice of Acceptance number and Expiration date by the Miami-Dade County Product Control Section.

**MISSILE IMPACT RATING: Large Missile and Small Missile Impact Resistant.**

**LABELING:** Each unit shall bear a permanent label with the manufacturer's name or logo, city, state, model/ series and following statement: "Miami-Dade County Product Control Approved" unless otherwise noted herein.

**RENEWAL** of this NOA shall be considered after a renewal application has been filed and there has been no change in the applicable building code negatively affecting the performance of this product.

**TERMINATION** of this NOA will occur after the expiration date or if there has been a revision or change in the materials, use, and/or manufacture of the product or process. Misuse of this NOA as an endorsement of any product, for sales, advertising or any other purposes shall automatically terminate this NOA. Failure to comply with any section of this NOA shall be cause for termination and removal of NOA.

**ADVERTISEMENT:** The NOA number preceded by the words Miami-Dade County, Florida, and followed by the expiration date may be displayed in advertising literature. If any portion of the NOA is displayed, then it shall be done in its entirety.

**INSPECTION:** A copy of this entire NOA shall be provided to the user by the manufacturer or its distributors and shall be available for inspection at the job site at the request of the Building Official.

This NOA revises NOA No. 08-0709.16 and consists of this page 1, evidence pages E-1 and E-2, as well as approval document mentioned above.

The submitted documentation was reviewed by **Jaime D. Gascon, P. E.**



*J. Gascon*  
*1/25/12*

NOA No. 11-1110.17  
Expiration Date: November 06, 2013  
Approval Date: February 02, 2012  
Page 1

**NOTICE OF ACCEPTANCE: EVIDENCE SUBMITTED**

**A. DRAWINGS**

1. Manufacturer's die drawings and sections.  
*(Submitted under previous NOA No. 03-0514.10)*
2. Drawing No. 7052-7, titled "Alum. Projected Windows, Impact", sheets 1 through 11 of 11, prepared by manufacturer, dated 02/24/03 with revision "D" dated 10/25/11, signed and sealed by Anthony Lynn Miller, P. E.

**B. TESTS**

1. Test reports on:
  - 1) Air Infiltration Test, per FBC, TAS 202-94
  - 2) Uniform Static Air Pressure Test, Loading per FBC, TAS 202-94
  - 3) Water Resistance Test, per FBC, TAS 202-94
  - 4) Large Missile Impact Test, per FBC, TAS 201-94
  - 5) Cyclic Wind Pressure Loading, per FBC, TAS 203-94
  - 6) Forced Entry Test, per FBC 2411 3.2.1 and TAS 202-94along with marked-up drawings and installation diagram of aluminum projected window, prepared by Fenestration Testing Laboratory, Inc., Test Reports No.'s **FTL-3728** and **FTL-3724**, dated 02/28/03, all signed and sealed by Joseph C. Chan, P. E.  
*(Submitted under previous NOA No. 03-0514.10)*

**C. CALCULATIONS**

1. Anchor verification calculations and structural analysis, dated 11/21/05 complying with FBC, prepared by manufacture, signed and sealed by Lucas A. Turner, P. E.  
*(Submitted under previous NOA No. 08-0709.16)*
2. **Glazing complies with ASTM E1300-02/ 04**

**D. QUALITY ASSURANCE**

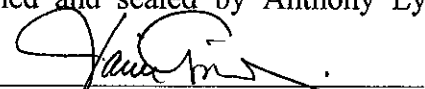
1. Miami-Dade Department of Permitting, Environment, and Regulatory Affairs (PERA)

**E. MATERIAL CERTIFICATIONS**

1. Notice of Acceptance No. **11-0624.01** issued to **E.I. DuPont DeNemours & Co., Inc.** for their "**DuPont Butacite® PVB Interlayer**" dated 09/08/11, expiring on 12/11/16.

**F. STATEMENTS**

1. Statement letter of conformance and compliance with the FBC-2007 (with the 2009 supplement) and FBC-2010, dated 10/29/11, signed and sealed by Anthony Lynn Miller, P. E.
2. Statement letter of no financial interest and independence, dated 10/29/11, signed and sealed by Anthony Lynn Miller, P. E.
3. Letter of *Adoption of as his Own, the Work of another Engineer* per Section 61G15-27.001 of the F.B.P.E., dated 10/07/11 signed and sealed by Anthony Lynn Miller, P. E.

  
\_\_\_\_\_  
Jaime D. Gascon, P. E.

Product Control Section Supervisor  
NOA No. 11-1110.17

Expiration Date: November 06, 2013

Approval Date: February 02, 2012

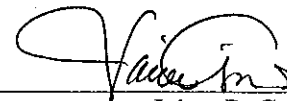
NOTICE OF ACCEPTANCE: EVIDENCE SUBMITTED

**F. STATEMENTS (CONTINUED)**

4. Statement letter from original engineer stating that there are no changes to the product and that it conforms to the FBC, dated 06/26/08, signed and sealed by Lucas A. Turner, P. E.  
*(Submitted under previous NOA No. 08-0709.16)*
5. Statement letter of no financial interest, independence, conformance and compliance with the Florida Building Code, dated 05/12/03, signed and sealed by Lucas A. Turner, P. E.  
*(Submitted under previous NOA No. 03-0514.10)*
6. Laboratory compliance letter for Test Reports No. **FTL-3728** and **FTL-3724**, issued by Fenestration Testing Laboratory, Inc., dated 02/28/03, all signed and sealed by Joseph C. Chan, P. E.  
*(Submitted under previous NOA No. 03-0514.10)*

**G. OTHERS**

1. Notice of Acceptance No. **08-0709.16**, issued to PGT Industries for their Series "CA-740 Aluminum Projected Window - L.M.I." approved on 10/30/08 and expiring on 11/06/13.



---

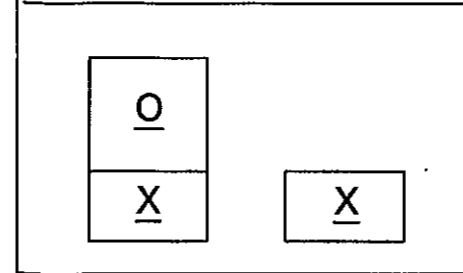
Jaime D. Gascon, P.E.  
Product Control Section Supervisor  
NOA No. 11-1110.17  
Expiration Date: November 06, 2013  
Approval Date: February 02, 2012

**NOTES: LARGE MISSILE WINDOWS**

**1. GLAZING OPTIONS:**

- A. 5/16" LAMINATED GLASS COMPRISED OF (1) LITE OF 1/8" ANNEALED GLASS AND (1) LITE OF 1/8" HEAT STRENGTHENED GLASS W/ AN .090 INNER LAYER OF SOLUTIA OR DUPONT PVB.
- B. 5/16" LAMINATED GLASS COMPRISED OF (2) LITES OF 1/8" HEAT STRENGTHENED GLASS W/ AN .090 INNER LAYER OF SOLUTIA OR DUPONT PVB.
- C. 7/16" LAMINATED GLASS COMPRISED OF (1) LITE OF 3/16" ANNEALED GLASS AND (1) LITE OF 3/16" HEAT STRENGTHENED GLASS W/ AN .090 INNER LAYER OF SOLUTIA OR DUPONT PVB.
- D. 7/16" LAMINATED GLASS COMPRISED OF (2) LITES OF 3/16" HEAT STRENGTHENED GLASS W/ AN .090 INNER LAYER OF SOLUTIA OR DUPONT PVB.
- E. 13/16" I.G. GLASS COMPRISED OF (1) LITE OF 1/8" TEMPERED GLASS AND (1) 5/16" LAMINATED GLASS COMPONENT WITH A 3/8" AIR SPACE. 5/16" LAMINATED COMPONENT COMPRISED OF (2) LITES OF 1/8" HEAT STRENGTHENED GLASS WITH AN .090 SOLUTIA OR DUPONT INNER LAYER.

**CONFIGURATIONS OPTIONS**



**NOA DRAWING TABLE OF CONTENTS**

	SHEET
NOTES.....	1
GLAZING DETAILS.....	2
ELEVATIONS.....	3
DESIGN PRESSURE TABLES.....	4-6
SECTIONS.....	7-8
CORNER CONSTRUCTION.....	9
EXTRUSION PROFILES.....	9-10
PARTS LIST.....	10
ANCHORAGE.....	11

2. CONFIGURATIONS: X. CASEMENT WINDOW MAY ALSO BE USED WITH THE CASEMENT FIXED WINDOW IN OX CONFIGURATION, FOR FIXED WINDOW DETAILS PLEASE SEE SEPERATE MIAMI-DADE NOA (PGT DRAWING 7045-10).

**3. DESIGN PRESSURE RATINGS / COMPARATIVE ANALYSIS TABLES:**

- A. NEGATIVE DESIGN LOADS BASED ON TESTED PRESSURE AND GLASS TABLES ASTM E 1300-98.
- B. POSITIVE DESIGN LOADS BASED ON WATER TEST PRESSURE AND GLASS TABLES ASTM E 1300-98.
- C. DESIGN PRESSURES UNDER 40 P.S.F. NOT APPLICABLE IN MIAMI-DADE COUNTY.

4. ANCHORAGE: THE 33 1/3% STRESS INCREASE HAS NOT BEEN USED IN THE DESIGN OF THIS PRODUCT. SEE SHEETS 3 AND 11 FOR ADDITIONAL ANCHORAGE INFORMATION.

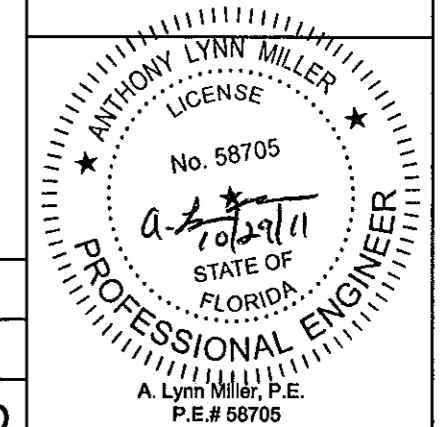
- JAMBS "X": MAX. 8" FROM CORNERS
- JAMBS "OX": MAX. 4" FROM "O" CORNERS  
MAX. 13" O.C.  
(2) ANCHORS 3" APART AT MID-SPAN ON FIXED LITE ONLY  
MAX. 4" & 7" ON EACH SIDE OF MEETING RAIL  
MAX. 8" FROM "X" CORNERS

HEAD & SILL: MAX. 4" FROM CORNERS  
MAX. 13" SPACING  
(2) ANCHORS 3" APART AT MID-SPAN

SEE SHEET 11 FOR APPROVED ANCHORS. 1/4" TAPCONS OR 1/4" SS4 CRETE-FLEX MAY BE USED IN CONCRETE OR WOOD APPLICATIONS TO ACHIEVE THE DESIGN PRESSURES SHOWN IN SHEETS 4 THROUGH 6. SEE SHEETS 4 THROUGH 6 FOR DESIGN PRESSURE LIMITATIONS WHEN ANCHORING WITH #12 SCREWS.

- 5. SHUTTER REQUIREMENT: NONE REQUIRED
- 6. NARROW JOINT SEALANT IS USED ON ALL FOUR CORNERS OF THE FRAME.
- 7. REFERENCE TEST REPORTS: FTL-3724, FTL-3727 & FTL-3728.
- 8. THIS PRODUCT HAS BEEN DESIGNED AND TESTED TO COMPLY WITH THE REQUIREMENTS OF THE FLORIDA BUILDING CODE, INCLUDING THE HIGH VELOCITY HURRICANE ZONE (HVHZ).

PRODUCT REVISED  
as complying with the Florida  
Building Code  
Acceptance No. 11-1110.17  
Expiration Date 11/06/2013  
By [Signature]  
Miami Dade Product Control

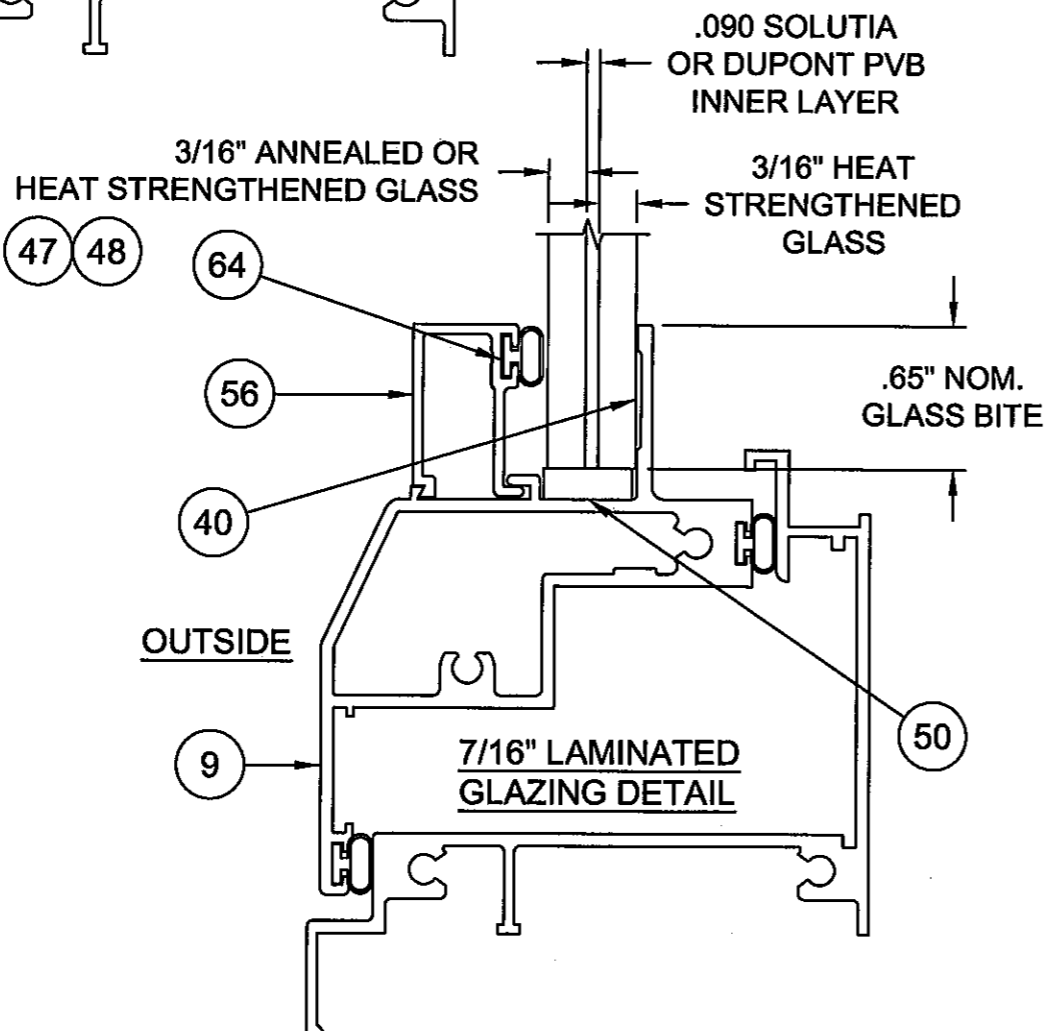
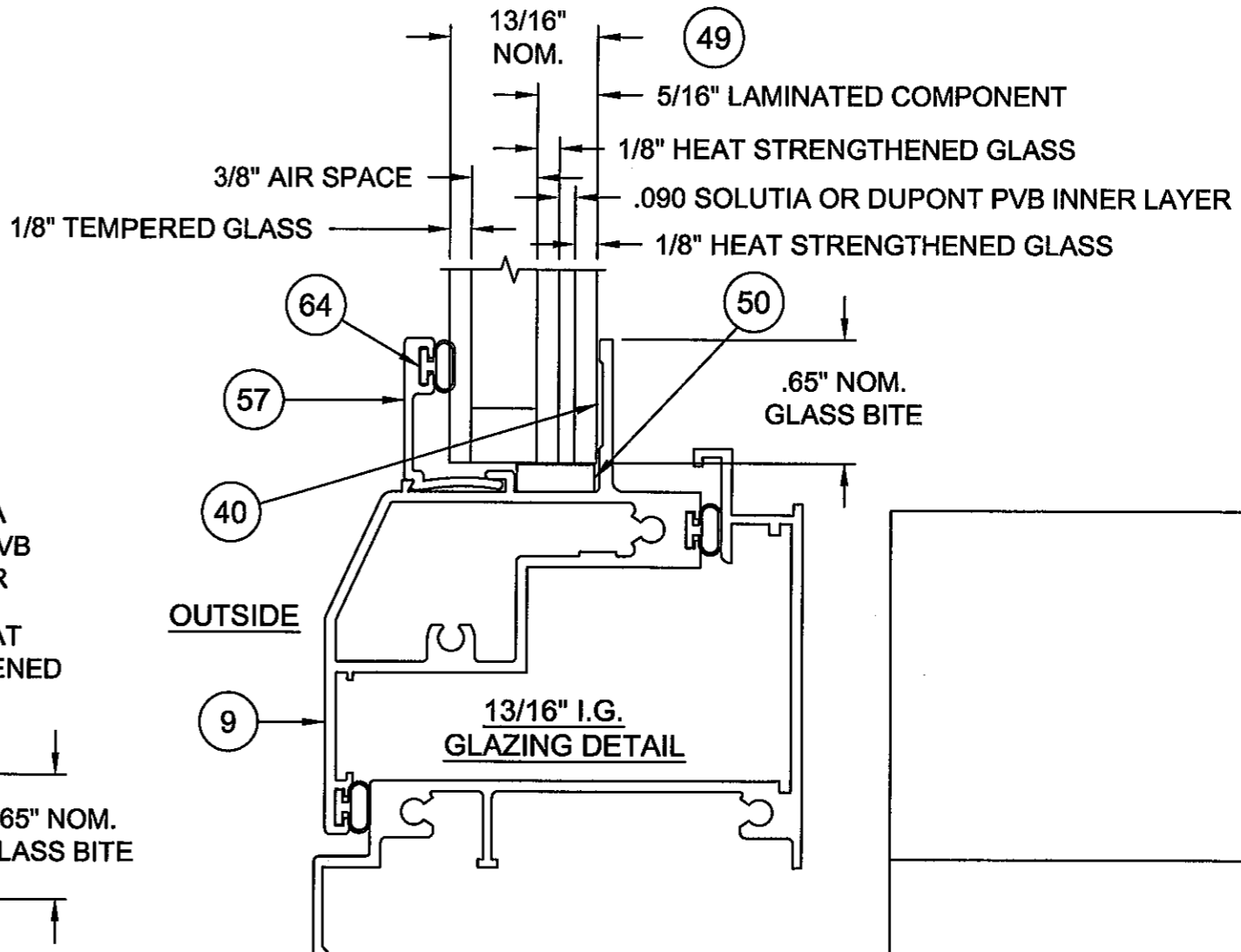
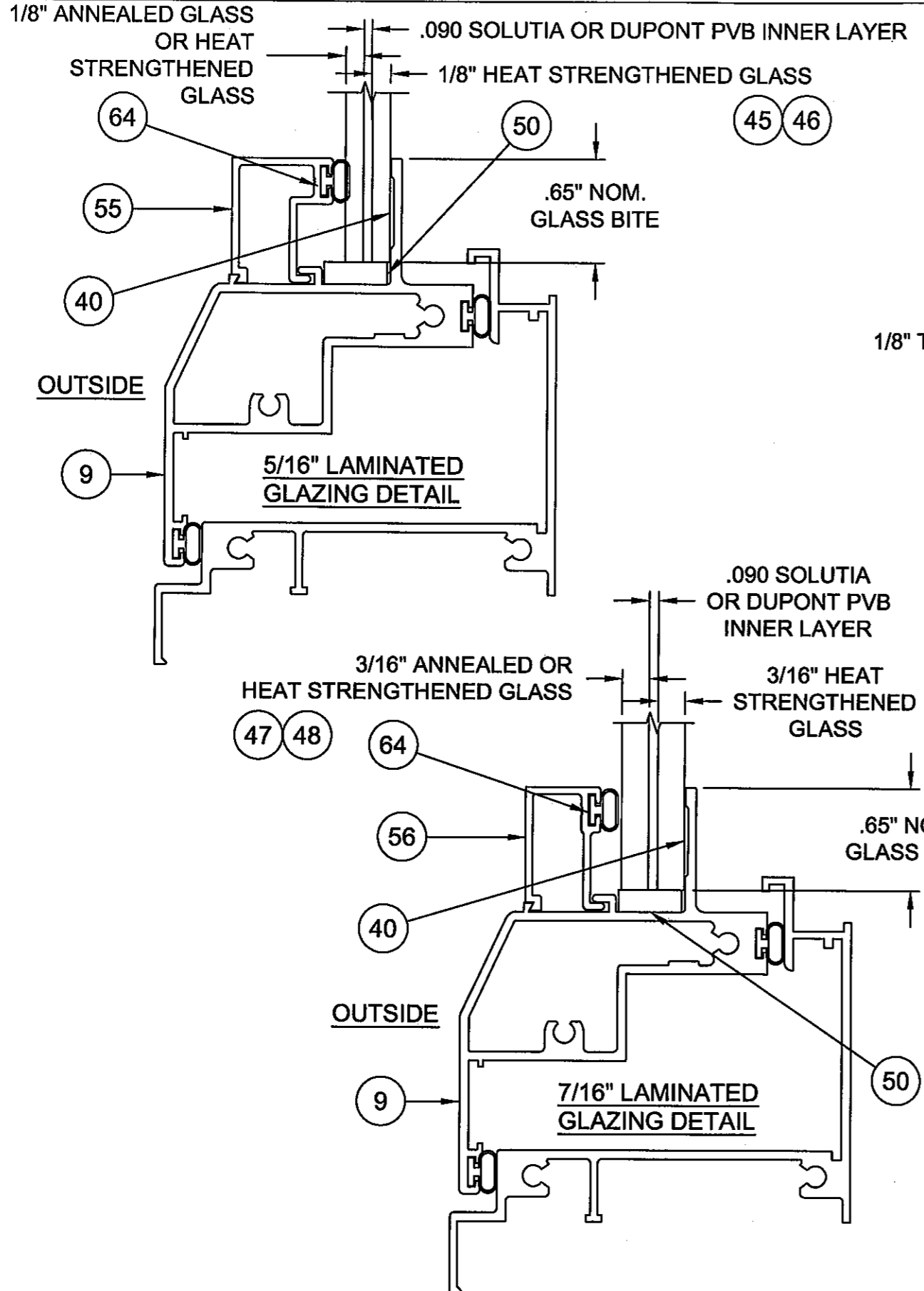


Revsd By:	Date:	Revisions:	
F.K.	10/19/05	B	REVISE DP NOTE 3 AND ANCHORAGE NOTE 4
D.G.	09/02/08	C	MODIFIED NOTE 2
J.J.	10/25/11	D	FBC 2010 CODE CHANGE & IG CAP TO TMP FOR 30' RULE
Drawn By:	Date:	Checked By:	Date:
F.K.	02/24/03		

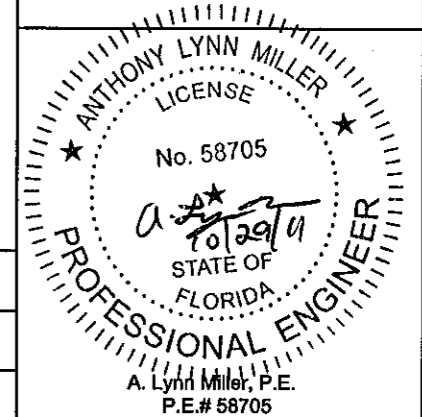
1070 TECHNOLOGY DRIVE  
NOKOMIS, FL 34275  
P.O. BOX 1529  
NOKOMIS, FL 34274



Description:			
NOTES AND TABLE OF CONTENTS			
Title:			
ALUM. PROJECTED WINDOW, IMPACT			
Series/Model:	Scale:	Sheet:	Drawing No.
CA-740	NTS	1 of 11	7052-7
Rev:	D		



PRODUCT REVISED  
 as complying with the Florida  
 Building Code  
 Acceptance No. 11-1110-17  
 Expiration Date 11/06/2013  
 By *[Signature]*  
 Miami Dade Product Control

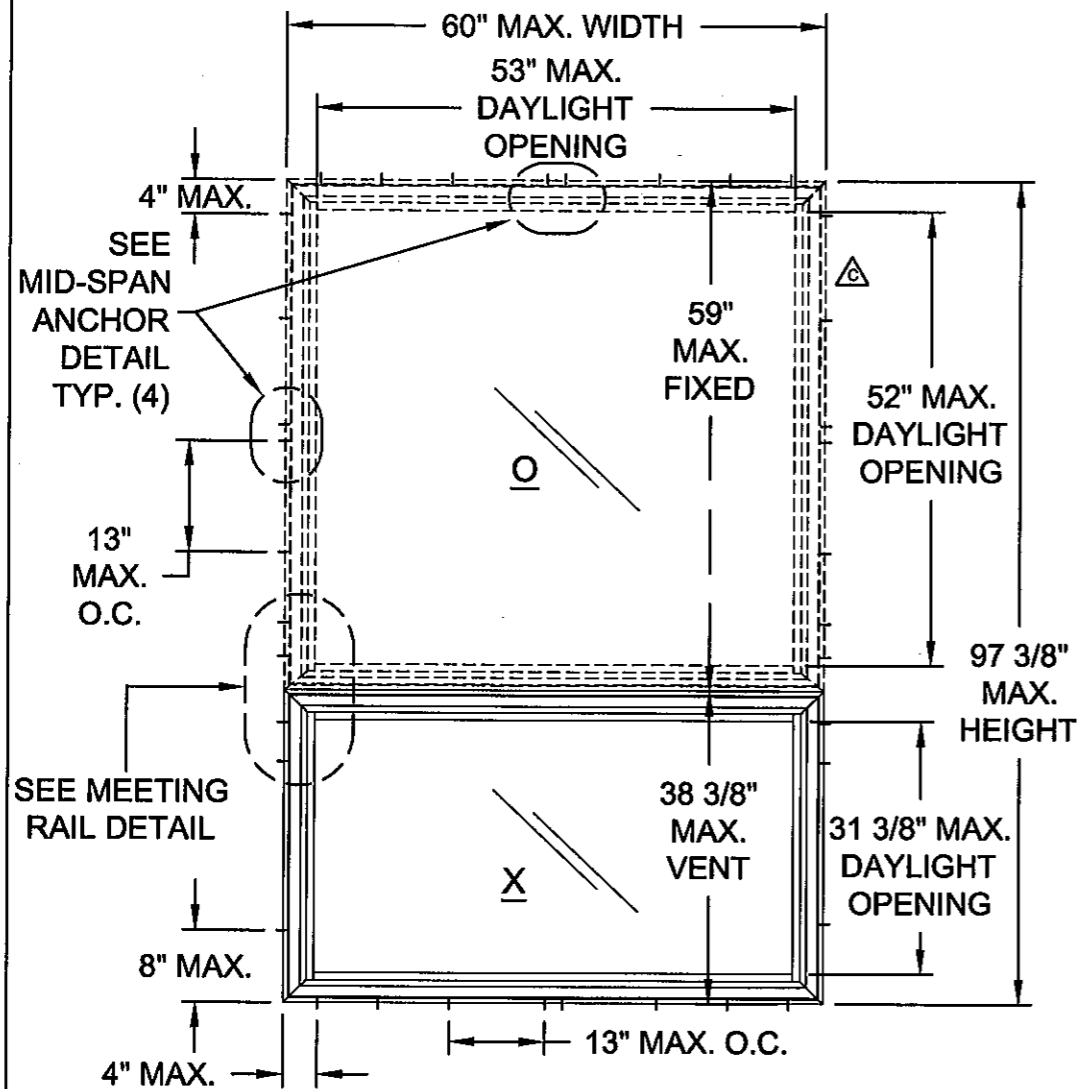


Revised By: F.K.	Date: 10/19/05	Revisions: B	NO CHANGE THIS SHEET
Revised By: D.G.	Date: 09/02/08	Revisions: C	NO CHANGE THIS SHEET
Revised By: J.J.	Date: 10/25/11	Revisions: D	CHANGED IG CAP TO TMP. FOR 30' RULE
Drawn By: F.K.	Date: 02/24/03	Checked By:	Date:

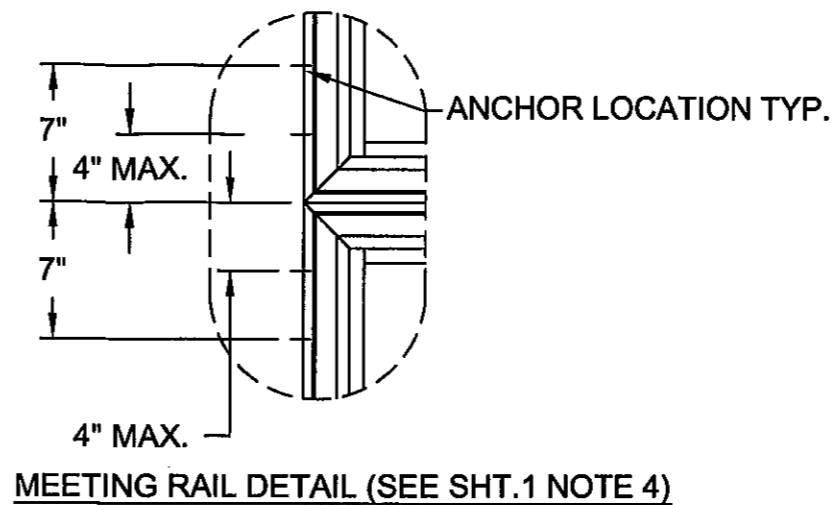
1070 TECHNOLOGY DRIVE  
 NOKOMIS, FL 34275  
 P.O. BOX 1529  
 NOKOMIS, FL 34274



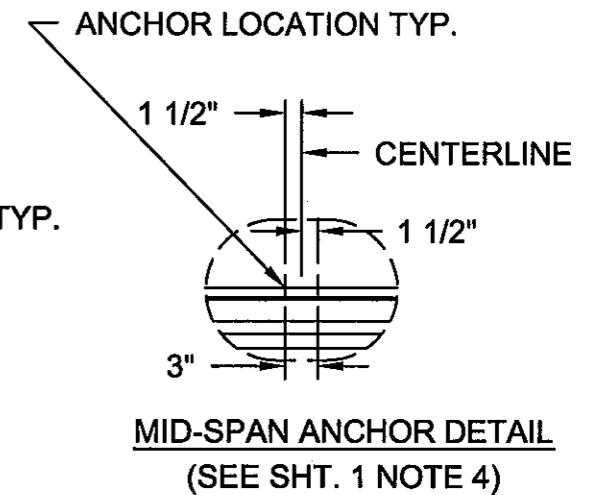
Description: GLAZING DETAILS			
Title: ALUM. PROJECTED WINDOW, IMPACT			
Series/Model: CA-740	Scale: NTS	Sheet: 2 of 11	Drawing No. 7052-7
			Rev: D



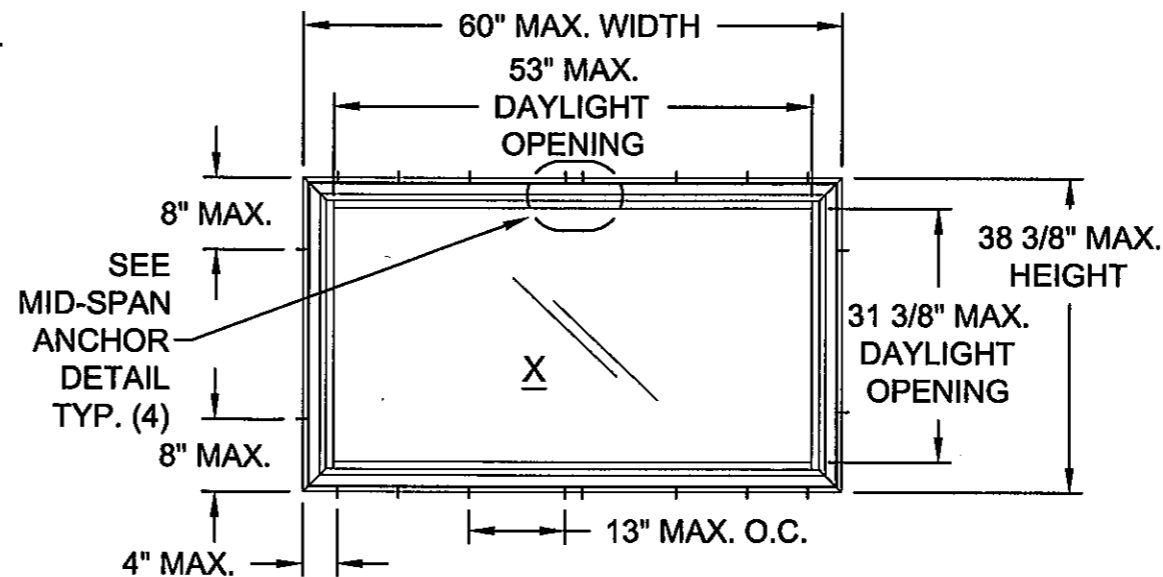
ELEVATION "A" - "OX"  
(SEE SHEETS 5 & 6 FOR PRESSURES)



MEETING RAIL DETAIL (SEE SHT.1 NOTE 4)

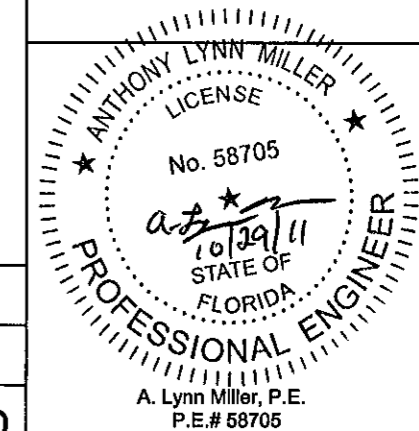


MID-SPAN ANCHOR DETAIL  
(SEE SHT. 1 NOTE 4)



ELEVATION "B" - "X"  
(SEE SHEET 4 FOR PRESSURES)

PRODUCT REVISED  
as complying with the Florida  
Building Code  
Acceptance No. 11-111017  
Expiration Date 11/06/2013  
By *[Signature]*  
Miami Trade Product Control



Revsd By: F.K.	Date: 10/19/05	Revisions: B	NO CHANGE THIS SHEET
Revsd By: D.G.	Date: 09/02/08	Revisions: C	DASHED ALL "O" COMPONENTS
Revsd By: J.J.	Date: 10/25/11	Revisions: D	NO CHANGE THIS SHEET
Drawn By: F.K.	Date: 02/24/03	Checked By:	Date:

1070 TECHNOLOGY DRIVE  
NOKOMIS, FL 34275  
P.O. BOX 1529  
NOKOMIS, FL 34274



Description: ELEVATIONS			
Title: ALUM. PROJECTED WINDOW, IMPACT			
Series/Model: CA-740	Scale: NTS	Sheet: 3 of 11	Drawing No. 7052-7
Rev:			D

**COMPARATIVE ANALYSIS TABLE 1.** "X" WINDOWS TEST REPORTS: FTL-3724,FTL-3727,FTL-3728

GLAZING OPTION: A. 5/16" LAMI (1/8"A,.090,1/8"HS) FTL-3727

VENT HEIGHT		17.000	18.000	21.000	24.000	26.000	30.000	33.000	36.000	37.000	38.375													
<b>WINDOW WIDTH</b>	24.000	A	70.0	-75.0	70.0	-75.0	70.0	-75.0	70.0	-75.0	70.0	-75.0	70.0	-75.0	70.0	-75.0	70.0	-75.0	70.0	-75.0	70.0	-75.0		
	26.500	A	70.0	-75.0	70.0	-75.0	70.0	-75.0	70.0	-75.0	70.0	-75.0	70.0	-75.0	70.0	-75.0	70.0	-75.0	70.0	-75.0	70.0	-75.0		
	30.000	A	70.0	-75.0	70.0	-75.0	70.0	-75.0	70.0	-75.0	70.0	-75.0	70.0	-75.0	70.0	-75.0	70.0	-75.0	70.0	-75.0	70.0	-75.0		
	36.000	A	70.0	-75.0	70.0	-75.0	70.0	-75.0	70.0	-75.0	70.0	-75.0	70.0	-75.0	70.0	-75.0	70.0	-75.0	70.0	-73.7	70.0	-70.4		
	37.000	A	70.0	-75.0	70.0	-75.0	70.0	-75.0	70.0	-75.0	70.0	-75.0	70.0	-75.0	70.0	-75.0	70.0	-73.7	70.0	-71.2	67.9	-67.9		
	43.000	A	70.0	-75.0	70.0	-75.0	70.0	-75.0	70.0	-75.0	70.0	-75.0	70.0	-75.0	68.2	-68.2	60.4	-60.4	59.0	-59.0	57.2	-57.2		
	48.000	A	70.0	-75.0	70.0	-75.0	70.0	-75.0	70.0	-75.0	70.0	-75.0	70.0	-75.0	68.4	-68.4	59.4	-59.4	54.3	-54.3	52.8	-52.8	51.1	-51.1
	53.125	A	70.0	-75.0	70.0	-75.0	70.0	-75.0	70.0	-75.0	70.0	-75.0	70.0	-75.0	60.6	-60.6	54.8	-54.8	48.8	-48.8	47.2	-47.2	45.5	-45.5
	57.000	A	70.0	-75.0	70.0	-75.0	70.0	-75.0	70.0	-75.0	70.0	-75.0	70.0	-75.0	58.5	-58.5	51.0	-51.0	44.8	-44.8	43.5	-43.5	42.1	-42.1
	60.000	A	70.0	-75.0	70.0	-75.0	70.0	-75.0	70.0	-75.0	70.0	-72.9	56.2	-56.2	47.5	-47.5	42.2	-42.2	41.1	-41.1	39.7	-39.7		



GLASS OPTION B. 5/16" LAMI (1/8"HS,.090,1/8"HS) FTL-3727 ALL THE ABOVE SIZE COMBINATIONS 70.0 -75.0

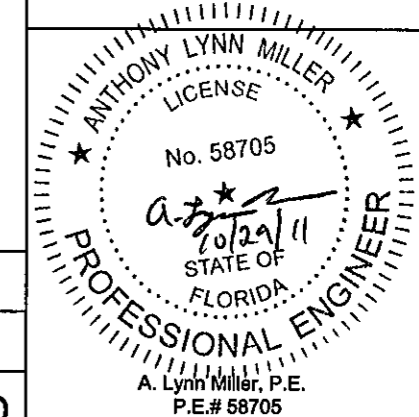
GLASS OPTION C. 7/16" LAMI (3/16"A,.090,3/16"HS) FTL-3724 ALL THE ABOVE SIZE COMBINATIONS 70.0 -90.0

GLASS OPTION E. 13/16" I.G. (1/8"HS, 3/8" SPACE, 5/16" LAMI W/ 1/8"HS & 1/8" HS) FTL-3728 ALL THE ABOVE SIZE COMBINATIONS 70.0 -75.0

**NOTES:**

- FOR INSTALLATIONS IN WOOD OR CONCRETE TO THE FULL DESIGN PRESSURE IN THE ABOVE TABLE, USE ELCO 1/4" TAPCONS OR 1/4" SS4 CRETE-FLEX ANCHORS.
- IF INSTALLING WITH #12 SCREWS, DESIGN PRESSURE IS LIMITED TO 79.9 P.S.F.

PRODUCT REVISED  
 as complying with the Florida  
 Building Code  
 Acceptance No. 11-1110-17  
 Expiration Date 11/26/2013  
 By: *[Signature]*  
 Miami Dade Product Control

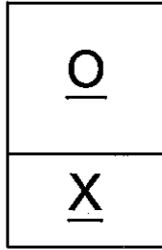


Revsd By: F.K.	Date: 10/19/05	Revisions: B	REVISED ANCHORAGE AND NOTE	1070 TECHNOLOGY DRIVE NOKOMIS, FL 34275  P.O. BOX 1529 NOKOMIS, FL 34274		Description: DESIGN PRESSURES "X" WINDOWS		
Revsd By: D.G.	Date: 09/02/08	Revisions: C	NO CHANGE THIS SHEET			Title: ALUM. PROJECTED WINDOW, IMPACT		
Revsd By: J.J.	Date: 10/25/11	Revisions: D	NO CHANGE THIS SHEET			Series/Model: CA-740	Scale: NTS	Sheet: 4 of 11
Drawn By: F.K.	Date: 02/24/03	Checked By:	Date:			Drawing No. 7052-7	Rev: D	

**COMPARATIVE ANALYSIS TABLE 3.** "OX" UNEQUAL LITE WINDOWS TEST REPORTS: FTL-3724,FTL-3727,FTL-3728

GLAZING OPTIONS: A. 5/16" LAMI (1/8"A,.090,1/8"HS) FTL-3727 B. 5/16" LAMI (1/8"HS,.090,1/8"HS) FTL-3727  
 C. 7/16" LAMI (3/16"A,.090,3/16"HS) FTL-3724 E. 13/16" I.G. (1/8"TMP, 3/8" SPACE, 5/16" LAMI W/ 1/8"HS, 1/8"HS) FTL-3728

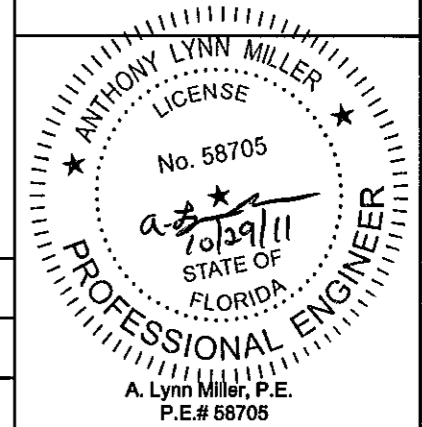
VENT HEIGHT		UP TO 26.000											30.000													
FIXED HEIGHT		26.000		32.000		38.375		44.000		50.625		59.000		26.000		32.000		38.375		44.000		50.625		59.000		
WINDOW WIDTH	24.000	A	70.0	-75.0	70.0	-75.0	70.0	-75.0	70.0	-75.0	70.0	-75.0	70.0	-75.0	70.0	-75.0	70.0	-75.0	70.0	-75.0	70.0	-75.0	70.0	-75.0	70.0	-75.0
		B,E	70.0	-75.0	70.0	-75.0	70.0	-75.0	70.0	-75.0	70.0	-75.0	70.0	-75.0	70.0	-75.0	70.0	-75.0	70.0	-75.0	70.0	-75.0	70.0	-75.0	70.0	-75.0
		C	70.0	-90.0	70.0	-90.0	70.0	-90.0	70.0	-90.0	70.0	-90.0	70.0	-90.0	70.0	-90.0	70.0	-90.0	70.0	-90.0	70.0	-90.0	70.0	-90.0	70.0	-90.0
	26.500	A	70.0	-75.0	70.0	-75.0	70.0	-75.0	70.0	-75.0	70.0	-75.0	70.0	-70.8	70.0	-75.0	70.0	-75.0	70.0	-75.0	70.0	-75.0	70.0	-75.0	70.0	-70.8
		B,E	70.0	-75.0	70.0	-75.0	70.0	-75.0	70.0	-75.0	70.0	-75.0	70.0	-75.0	70.0	-75.0	70.0	-75.0	70.0	-75.0	70.0	-75.0	70.0	-75.0	70.0	-75.0
		C	70.0	-90.0	70.0	-90.0	70.0	-90.0	70.0	-90.0	70.0	-90.0	70.0	-90.0	70.0	-90.0	70.0	-90.0	70.0	-90.0	70.0	-90.0	70.0	-90.0	70.0	-90.0
	30.000	A	70.0	-75.0	70.0	-75.0	70.0	-75.0	70.0	-75.0	63.9	-63.9	57.0	-57.0	70.0	-75.0	70.0	-75.0	70.0	-75.0	70.0	-75.0	63.9	-63.9	57.0	-57.0
		B,E	70.0	-75.0	70.0	-75.0	70.0	-75.0	70.0	-75.0	70.0	-75.0	70.0	-75.0	70.0	-75.0	70.0	-75.0	70.0	-75.0	70.0	-75.0	70.0	-75.0	70.0	-75.0
		C	70.0	-90.0	70.0	-90.0	70.0	-90.0	70.0	-90.0	70.0	-90.0	70.0	-90.0	70.0	-90.0	70.0	-90.0	70.0	-90.0	70.0	-90.0	70.0	-90.0	70.0	-90.0
	36.000	A	70.0	-75.0	70.0	-75.0	70.0	-70.4	59.2	-59.2	51.1	-51.1	43.0	-43.0	70.0	-75.0	70.0	-75.0	70.0	-70.4	59.2	-59.2	51.1	-51.1	43.0	-43.0
		B,E	70.0	-75.0	70.0	-75.0	70.0	-75.0	70.0	-75.0	70.0	-75.0	70.0	-75.0	70.0	-75.0	70.0	-75.0	70.0	-75.0	70.0	-75.0	70.0	-75.0	70.0	-75.0
		C	70.0	-90.0	70.0	-90.0	70.0	-90.0	70.0	-90.0	70.0	-90.0	70.0	-90.0	70.0	-90.0	70.0	-90.0	70.0	-90.0	70.0	-90.0	70.0	-90.0	70.0	-90.0
	37.000	A	70.0	-75.0	70.0	-75.0	67.9	-67.9	57.8	-57.8	49.9	-49.9	41.9	-41.9	70.0	-75.0	70.0	-75.0	67.9	-67.9	57.8	-57.8	49.9	-49.9	41.9	-41.9
		B,E	70.0	-75.0	70.0	-75.0	70.0	-75.0	70.0	-75.0	70.0	-75.0	70.0	-75.0	70.0	-75.0	70.0	-75.0	70.0	-75.0	70.0	-75.0	70.0	-75.0	70.0	-75.0
		C	70.0	-90.0	70.0	-90.0	70.0	-90.0	70.0	-90.0	70.0	-90.0	70.0	-90.0	70.0	-90.0	70.0	-90.0	70.0	-90.0	70.0	-90.0	70.0	-90.0	70.0	-90.0
	43.000	A	70.0	-75.0	70.0	-71.1	57.2	-57.2	60.7	-60.7	52.6	-52.6	44.4	-44.4	70.0	-75.0	70.0	-71.1	57.2	-57.2	60.7	-60.7	52.6	-52.6	44.4	-44.4
		B,E	70.0	-75.0	70.0	-75.0	70.0	-75.0	70.0	-75.0	70.0	-75.0	70.0	-75.0	70.0	-75.0	70.0	-75.0	70.0	-75.0	70.0	-75.0	70.0	-75.0	70.0	-75.0
		C	70.0	-90.0	70.0	-90.0	70.0	-90.0	70.0	-90.0	70.0	-90.0	70.0	-78.6	70.0	-90.0	70.0	-90.0	70.0	-90.0	70.0	-90.0	70.0	-90.0	70.0	-78.6
	48.000	A	70.0	-75.0	61.8	-61.8	51.1	-51.1	54.4	-54.4	48.6	-48.6	41.0	-41.0	68.4	-68.4	61.8	-61.8	51.1	-51.1	54.4	-54.4	48.6	-48.6	41.0	-41.0
		B,E	70.0	-75.0	70.0	-75.0	70.0	-75.0	70.0	-75.0	70.0	-75.0	70.0	-75.0	70.0	-75.0	70.0	-75.0	70.0	-75.0	70.0	-75.0	70.0	-75.0	70.0	-75.0
		C	70.0	-90.0	70.0	-90.0	70.0	-90.0	70.0	-90.0	70.0	-80.9	68.4	-68.4	70.0	-90.0	70.0	-90.0	70.0	-90.0	70.0	-90.0	70.0	-80.9	68.4	-68.4
	53.125	A	70.0	-75.0	56.8	-56.8	45.5	-45.5	49.1	-49.1	44.3	-44.3	38.7	-38.7	60.6	-60.6	56.8	-56.8	45.5	-45.5	49.1	-49.1	44.3	-44.3	38.7	-38.7
		B,E	70.0	-75.0	70.0	-75.0	70.0	-75.0	70.0	-75.0	70.0	-75.0	70.0	-75.0	70.0	-75.0	70.0	-75.0	70.0	-75.0	70.0	-75.0	70.0	-75.0	70.0	-75.0
		C	70.0	-90.0	70.0	-90.0	70.0	-90.0	70.0	-85.9	70.0	-71.2	60.9	-60.9	70.0	-90.0	70.0	-90.0	70.0	-90.0	70.0	-85.9	70.0	-71.2	60.9	-60.9
57.000	A	70.0	-75.0	53.8	-53.8	42.1	-42.1	45.5	-45.5	41.2	-41.2	37.3	-37.3	58.5	-58.5	53.8	-53.8	42.1	-42.1	45.5	-45.5	41.2	-41.2	37.3	-37.3	
	B,E	70.0	-75.0	70.0	-75.0	70.0	-75.0	70.0	-75.0	70.0	-75.0	70.0	-74.5	70.0	-75.0	70.0	-75.0	70.0	-75.0	70.0	-75.0	70.0	-75.0	70.0	-74.5	
	C	70.0	-90.0	70.0	-90.0	70.0	-90.0	70.0	-79.3	66.7	-66.7	56.9	-56.9	70.0	-90.0	70.0	-90.0	70.0	-90.0	70.0	-79.3	66.7	-66.7	56.9	-56.9	
60.000	A	70.0	-72.9	50.4	-50.4	39.7	-39.7	42.8	-42.8	39.2	-39.2	35.9	-35.9	56.2	-56.2	50.4	-50.4	39.7	-39.7	42.8	-42.8	39.2	-39.2	35.9	-35.9	
	B,E	70.0	-75.0	70.0	-75.0	70.0	-75.0	70.0	-75.0	70.0	-75.0	70.0	-71.8	70.0	-75.0	70.0	-75.0	70.0	-75.0	70.0	-75.0	70.0	-75.0	70.0	-71.8	
	C	70.0	-90.0	70.0	-90.0	70.0	-90.0	70.0	-74.6	63.3	-63.3	54.0	-54.0	70.0	-90.0	70.0	-90.0	70.0	-90.0	70.0	-74.6	63.3	-63.3	54.0	-54.0	
GLASS OPTION D. 7/16" LAMI (3/16"HS,.090,3/16"HS) FTL-3724		ALL THE ABOVE SIZE COMBINATIONS											70.0	-90.0												



- NOTES:**
- FOR INSTALLATIONS IN WOOD OR CONCRETE TO THE FULL DESIGN PRESSURE IN THE ABOVE TABLE, USE ELCO 1/4" TAPCONS OR 1/4" SS4 CRETE-FLEX ANCHORS.
  - IF INSTALLING WITH #12 SCREWS, DESIGN PRESSURE IS LIMITED TO 79.9 P.S.F.

Revised By: F.K.	Date: 10/19/05	Revisions: B	REVISE ANCHORAGE AND NOTE	1070 TECHNOLOGY DRIVE NOKOMIS, FL 34275 P.O. BOX 1529 NOKOMIS, FL 34274	<b>PGT</b> Visibly Better	Description: DESIGN PRESSURES "OX" WINDOWS					
Revised By: D.G.	Date: 09/02/08	Revisions: C	NO CHANGE THIS SHEET			Title: ALUM. PROJECTED WINDOW, IMPACT					
Revised By: J.J.	Date: 10/25/11	Revisions: D	HS TO TMP IN CHART			Series/Model: CA-740	Scale: NTS	Sheet: 5 of 11	Drawing No. 7052-7	Rev: D	
Drawn By: F.K.	Date: 02/24/03	Checked By:	Date:								

PRODUCT REVISED as complying with the Florida Building Code  
 Acceptance No. 11-1110-17  
 Expiration Date 11/26/2013  
 By: *[Signature]*  
 Miami Dade Product Control





**COMPARATIVE ANALYSIS TABLE 4.**

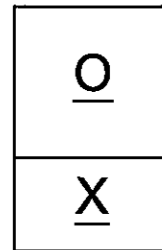
"OX" UNEQUAL LITE WINDOWS

TEST REPORTS: FTL-3724,FTL-3727,FTL-3728

GLAZING OPTIONS: A. 5/16" LAMI (1/8"A,.090,1/8"HS) FTL-3727 B. 5/16" LAMI (1/8"HS,.090,1/8"HS) FTL-3727  
 C. 7/16" LAMI (3/16"A,.090,3/16"HS) FTL-3724 E. 13/16" I.G. (1/8"TMP, 3/8" SPACE, 5/16" LAMI W/ 1/8"HS, 1/8"HS) FTL-3728

VENT HEIGHT		34.000											38.375													
FIXED HEIGHT		26.000		32.000		38.375		44.000		50.625		59.000		26.000		32.000		38.375		44.000		50.625		59.000		
WINDOW WIDTH	24.000	A	70.0	-75.0	70.0	-75.0	70.0	-75.0	70.0	-75.0	70.0	-75.0	70.0	-75.0	70.0	-75.0	70.0	-75.0	70.0	-75.0	70.0	-75.0	70.0	-75.0	70.0	-75.0
		B,E	70.0	-75.0	70.0	-75.0	70.0	-75.0	70.0	-75.0	70.0	-75.0	70.0	-75.0	70.0	-75.0	70.0	-75.0	70.0	-75.0	70.0	-75.0	70.0	-75.0	70.0	-75.0
		C	70.0	-90.0	70.0	-90.0	70.0	-90.0	70.0	-90.0	70.0	-90.0	70.0	-90.0	70.0	-90.0	70.0	-90.0	70.0	-90.0	70.0	-90.0	70.0	-90.0	70.0	-90.0
	26.500	A	70.0	-75.0	70.0	-75.0	70.0	-75.0	70.0	-75.0	70.0	-75.0	70.0	-70.8	70.0	-75.0	70.0	-75.0	70.0	-75.0	70.0	-75.0	70.0	-75.0	70.0	-70.8
		B,E	70.0	-75.0	70.0	-75.0	70.0	-75.0	70.0	-75.0	70.0	-75.0	70.0	-75.0	70.0	-75.0	70.0	-75.0	70.0	-75.0	70.0	-75.0	70.0	-75.0	70.0	-75.0
		C	70.0	-90.0	70.0	-90.0	70.0	-90.0	70.0	-90.0	70.0	-90.0	70.0	-90.0	70.0	-90.0	70.0	-90.0	70.0	-90.0	70.0	-90.0	70.0	-90.0	70.0	-90.0
	30.000	A	70.0	-75.0	70.0	-75.0	70.0	-75.0	70.0	-75.0	63.9	-63.9	57.0	-57.0	70.0	-75.0	70.0	-75.0	70.0	-75.0	70.0	-75.0	63.9	-63.9	57.0	-57.0
		B,E	70.0	-75.0	70.0	-75.0	70.0	-75.0	70.0	-75.0	70.0	-75.0	70.0	-75.0	70.0	-75.0	70.0	-75.0	70.0	-75.0	70.0	-75.0	70.0	-75.0	70.0	-75.0
		C	70.0	-90.0	70.0	-90.0	70.0	-90.0	70.0	-90.0	70.0	-90.0	70.0	-90.0	70.0	-90.0	70.0	-90.0	70.0	-90.0	70.0	-90.0	70.0	-90.0	70.0	-90.0
	36.000	A	70.0	-75.0	70.0	-75.0	70.0	-70.4	59.2	-59.2	51.1	-51.1	43.0	-43.0	70.0	-70.4	70.0	-70.4	70.0	-70.4	59.2	-59.2	51.1	-51.1	43.0	-43.0
		B,E	70.0	-75.0	70.0	-75.0	70.0	-75.0	70.0	-75.0	70.0	-75.0	70.0	-75.0	70.0	-75.0	70.0	-75.0	70.0	-75.0	70.0	-75.0	70.0	-75.0	70.0	-75.0
		C	70.0	-90.0	70.0	-90.0	70.0	-90.0	70.0	-90.0	70.0	-90.0	70.0	-90.0	70.0	-90.0	70.0	-90.0	70.0	-90.0	70.0	-90.0	70.0	-90.0	70.0	-90.0
	37.000	A	70.0	-75.0	70.0	-75.0	67.9	-67.9	57.8	-57.8	49.9	-49.9	41.9	-41.9	67.9	-67.9	67.9	-67.9	67.9	-67.9	57.8	-57.8	49.9	-49.9	41.9	-41.9
		B,E	70.0	-75.0	70.0	-75.0	70.0	-75.0	70.0	-75.0	70.0	-75.0	70.0	-75.0	70.0	-75.0	70.0	-75.0	70.0	-75.0	70.0	-75.0	70.0	-75.0	70.0	-75.0
		C	70.0	-90.0	70.0	-90.0	70.0	-90.0	70.0	-90.0	70.0	-90.0	70.0	-90.0	70.0	-90.0	70.0	-90.0	70.0	-90.0	70.0	-90.0	70.0	-90.0	70.0	-90.0
	43.000	A	65.5	-65.5	65.5	-65.5	57.2	-57.2	60.7	-60.7	52.6	-52.6	44.4	-44.4	57.2	-57.2	57.2	-57.2	57.2	-57.2	57.2	-57.2	52.6	-52.6	44.4	-44.4
		B,E	70.0	-75.0	70.0	-75.0	70.0	-75.0	70.0	-75.0	70.0	-75.0	70.0	-75.0	70.0	-75.0	70.0	-75.0	70.0	-75.0	70.0	-75.0	70.0	-75.0	70.0	-75.0
		C	70.0	-90.0	70.0	-90.0	70.0	-90.0	70.0	-90.0	70.0	-90.0	70.0	-78.6	70.0	-90.0	70.0	-90.0	70.0	-90.0	70.0	-90.0	70.0	-90.0	70.0	-78.6
	48.000	A	57.5	-57.5	57.5	-57.5	51.1	-51.1	54.4	-54.4	48.6	-48.6	41.0	-41.0	51.1	-51.1	51.1	-51.1	51.1	-51.1	51.1	-51.1	48.6	-48.6	41.0	-41.0
		B,E	70.0	-75.0	70.0	-75.0	70.0	-75.0	70.0	-75.0	70.0	-75.0	70.0	-75.0	70.0	-75.0	70.0	-75.0	70.0	-75.0	70.0	-75.0	70.0	-75.0	70.0	-75.0
		C	70.0	-90.0	70.0	-90.0	70.0	-90.0	70.0	-90.0	70.0	-80.9	68.4	-68.4	70.0	-90.0	70.0	-90.0	70.0	-90.0	70.0	-90.0	70.0	-80.9	68.4	-68.4
	53.125	A	52.7	-52.7	52.7	-52.7	45.5	-45.5	49.1	-49.1	44.3	-44.3	38.7	-38.7	45.5	-45.5	45.5	-45.5	45.5	-45.5	45.5	-45.5	44.3	-44.3	38.7	-38.7
		B,E	70.0	-75.0	70.0	-75.0	70.0	-75.0	70.0	-75.0	70.0	-75.0	70.0	-75.0	70.0	-75.0	70.0	-75.0	70.0	-75.0	70.0	-75.0	70.0	-75.0	70.0	-75.0
		C	70.0	-90.0	70.0	-90.0	70.0	-90.0	70.0	-85.9	70.0	-71.2	60.9	-60.9	70.0	-90.0	70.0	-90.0	70.0	-90.0	70.0	-85.9	70.0	-71.2	60.9	-60.9
57.000	A	48.6	-48.6	48.6	-48.6	42.1	-42.1	45.5	-45.5	41.2	-41.2	37.3	-37.3	42.1	-42.1	42.1	-42.1	42.1	-42.1	42.1	-42.1	41.2	-41.2	37.3	-37.3	
	B,E	70.0	-75.0	70.0	-75.0	70.0	-75.0	70.0	-75.0	70.0	-75.0	70.0	-74.5	70.0	-75.0	70.0	-75.0	70.0	-75.0	70.0	-75.0	70.0	-75.0	70.0	-74.5	
	C	70.0	-90.0	70.0	-90.0	70.0	-90.0	70.0	-79.3	66.7	-66.7	56.9	-56.9	70.0	-90.0	70.0	-90.0	70.0	-90.0	70.0	-79.3	66.7	-66.7	56.9	-56.9	
60.000	A	45.2	-45.2	45.2	-45.2	39.7	-39.7	42.8	-42.8	39.2	-39.2	35.9	-35.9	39.7	-39.7	39.7	-39.7	39.7	-39.7	39.7	-39.7	39.2	-39.2	35.9	-35.9	
	B,E	70.0	-75.0	70.0	-75.0	70.0	-75.0	70.0	-75.0	70.0	-75.0	70.0	-71.8	70.0	-75.0	70.0	-75.0	70.0	-75.0	70.0	-75.0	70.0	-75.0	70.0	-71.8	
	C	70.0	-90.0	70.0	-90.0	70.0	-90.0	70.0	-74.6	63.3	-63.3	54.0	-54.0	70.0	-90.0	70.0	-90.0	70.0	-90.0	70.0	-74.6	63.3	-63.3	54.0	-54.0	

GLASS OPTION D. 7/16" LAMI (3/16"HS,.090,3/16"HS) FTL-3724 ALL THE ABOVE SIZE COMBINATIONS 70.0 -90.0

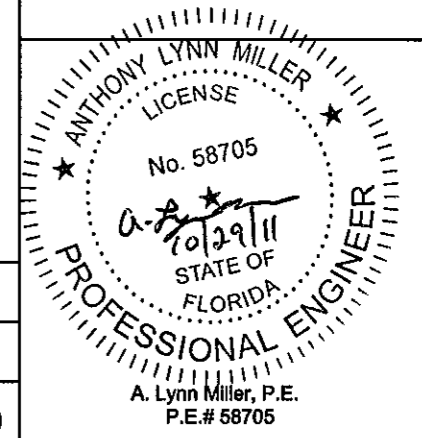


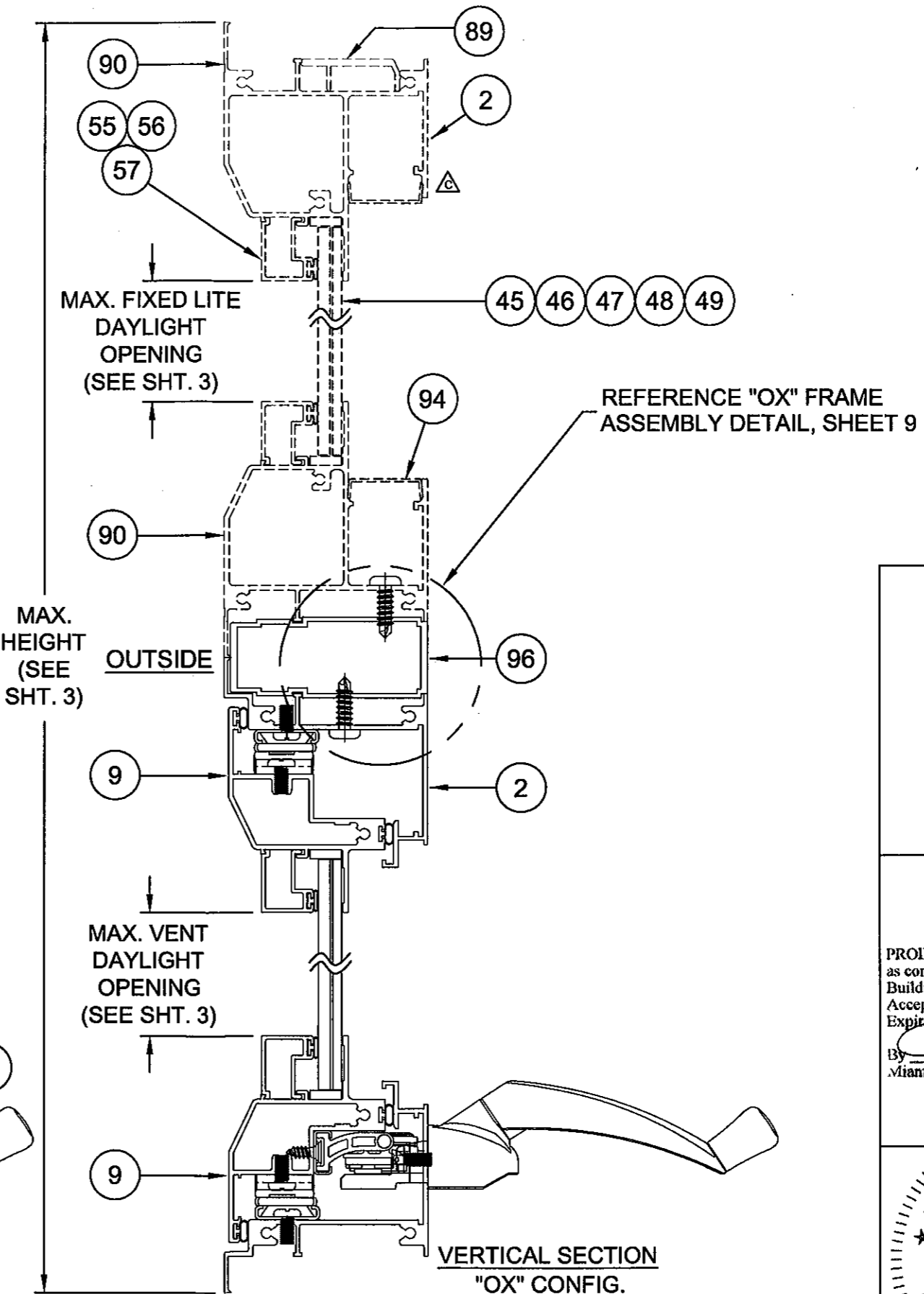
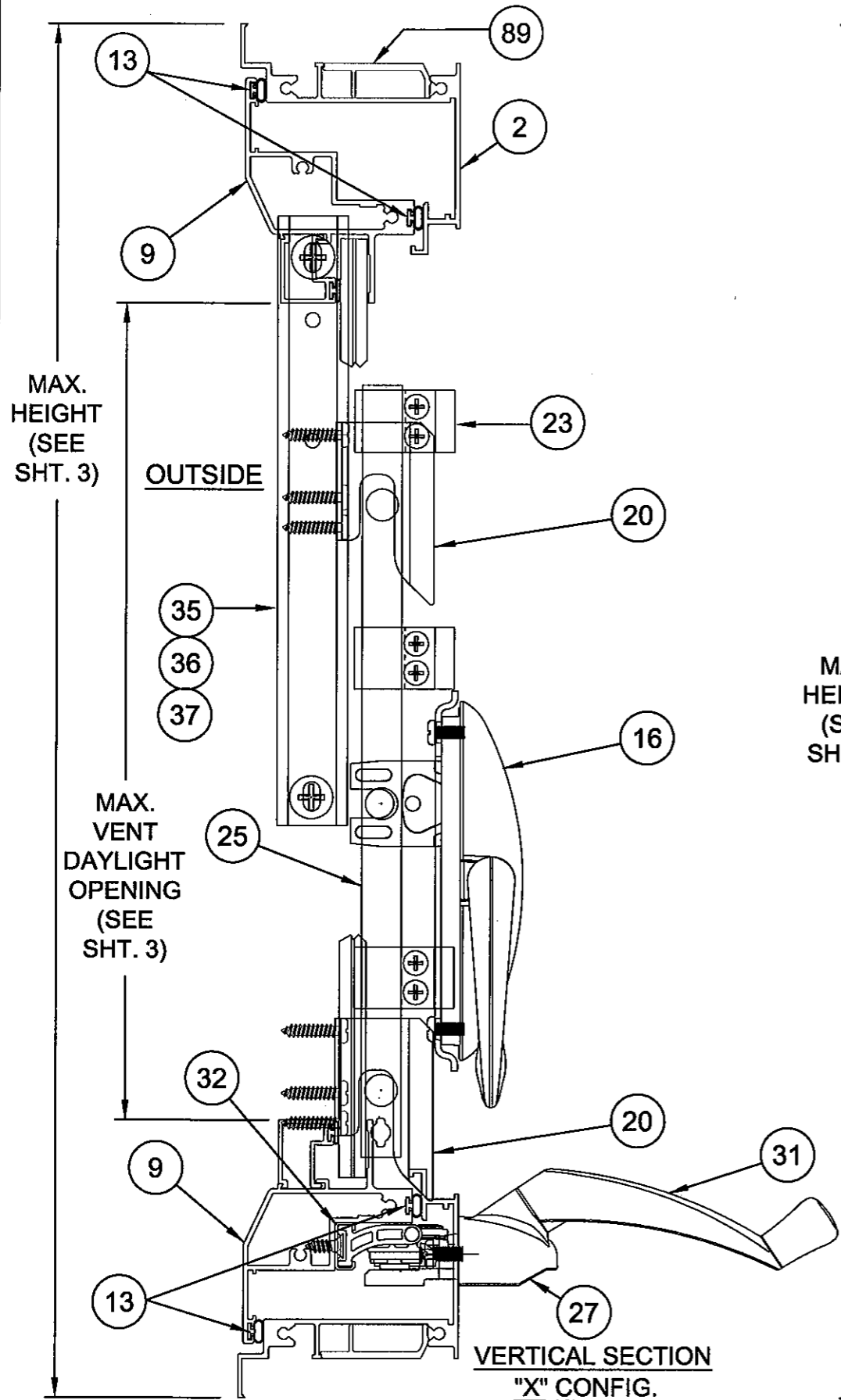
**NOTES:**

- FOR INSTALLATIONS IN WOOD OR CONCRETE TO THE FULL DESIGN PRESSURE IN THE ABOVE TABLE, USE ELCO 1/4" TAPCONS OR 1/4" SS4 CRETE-FLEX ANCHORS.
- IF INSTALLING WITH #12 SCREWS, DESIGN PRESSURE IS LIMITED TO 79.9 P.S.F.

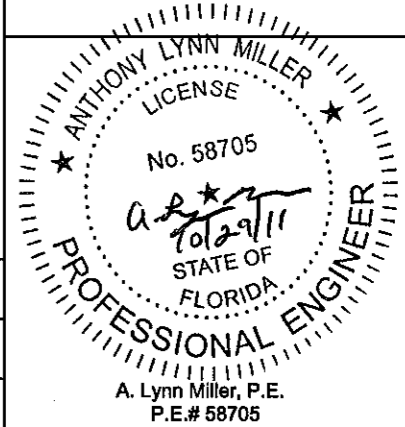
Revsd By: F.K.	Date: 10/19/05	Revisions: B	REVISE ANCHORAGE AND NOTE	1070 TECHNOLOGY DRIVE NOKOMIS, FL 34275  P.O. BOX 1529 NOKOMIS, FL 34274	<b>PGT</b> Visibly Better	Description: DESIGN PRESSURES "OX" WINDOWS				
Revsd By: D.G.	Date: 09/02/08	Revisions: C	NO CHANGE THIS SHEET			Title: ALUM. PROJECTED WINDOW, IMPACT				
Revsd By: J.J.	Date: 10/25/11	Revisions: D	HS TO TMP IN CHART			Series/Model: CA-740	Scale: NTS	Sheet: 6 of 11	Drawing No: 7052-7	Rev: D
Drawn By: F.K.	Date: 02/24/03	Checked By:	Date:							

PRODUCT REVISED as complying with the Florida Building Code  
 Acceptance No 11-1110.17  
 Expiration Date 11/26/2013  
 By *[Signature]*  
 Miami Dade Product Control





PRODUCT REVISED  
 as complying with the Florida  
 Building Code  
 Acceptance No. 11-1110.17  
 Expiration Date 11/26/2013  
 By *[Signature]*  
 Miami Lade Product Control

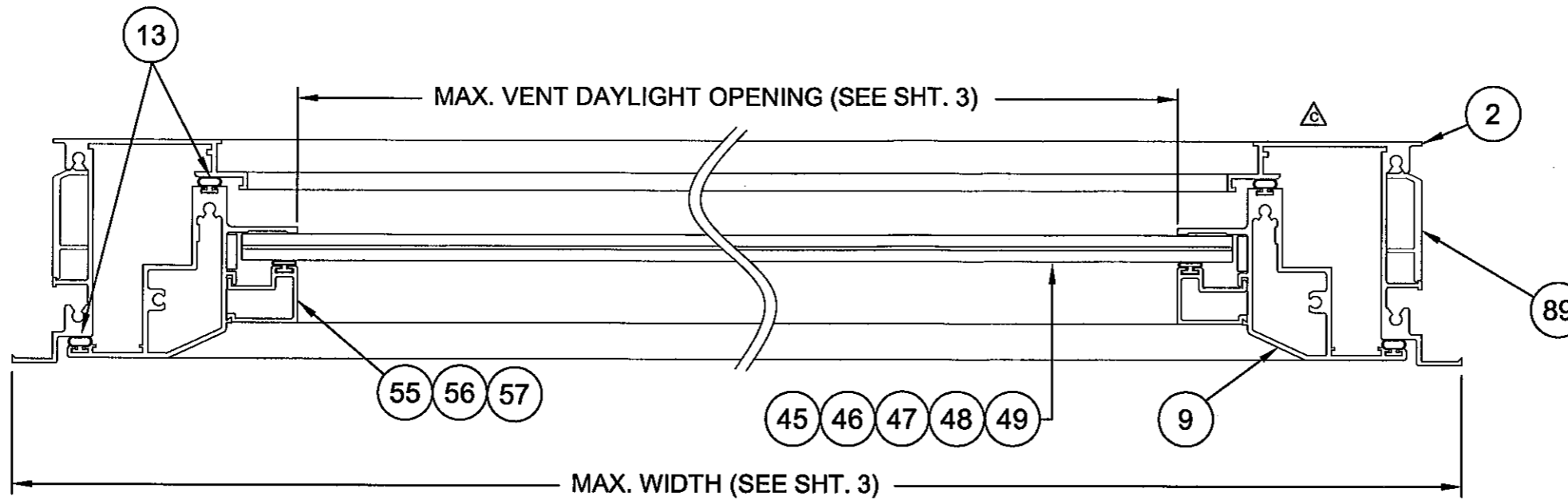


Revised By: F.K.	Date: 10/19/05	Revisions: B	ADD ITEM 89
Revised By: D.G.	Date: 09/02/08	Revisions: C	DASHED ALL "O" COMPONENTS
Revised By: J.J.	Date: 10/25/11	Revisions: D	NO CHANGE THIS SHEET
Drawn By: F.K.	Date: 02/24/03	Checked By: Date:	

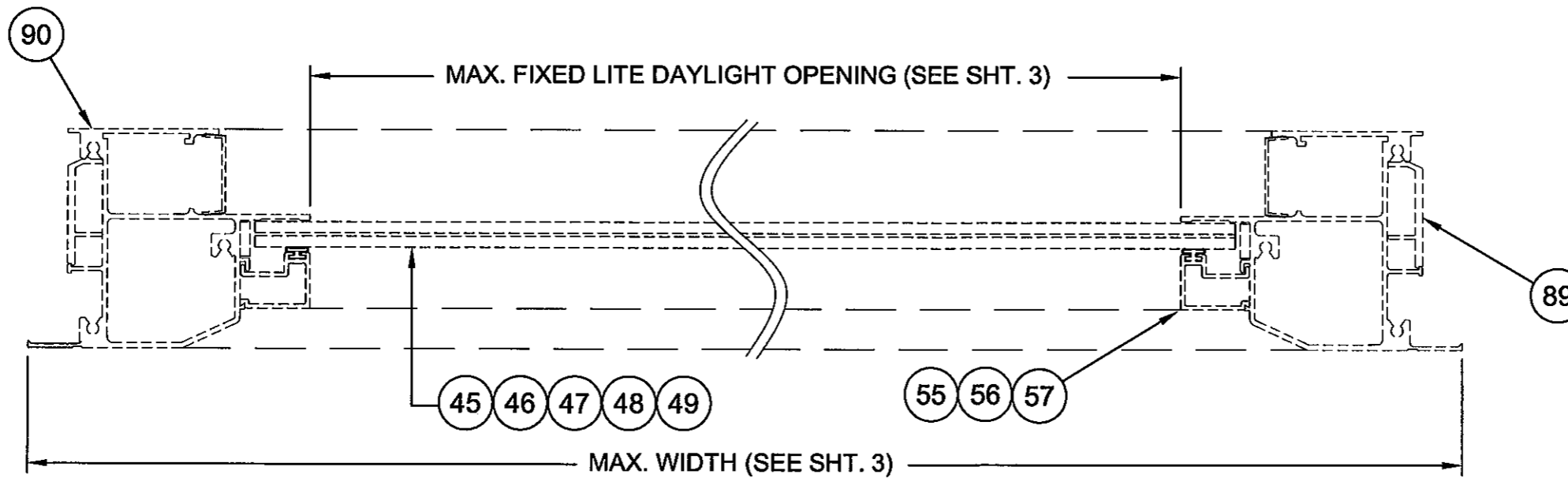
1070 TECHNOLOGY DRIVE  
 NOKOMIS, FL 34275  
 P.O. BOX 1529  
 NOKOMIS, FL 34274



Description: VERTICAL SECTIONS			
Title: ALUM. PROJECTED WINDOW, IMPACT			
Series/Model: CA-740	Scale: NTS	Sheet: 7 of 11	Drawing No. 7052-7
			Rev: D

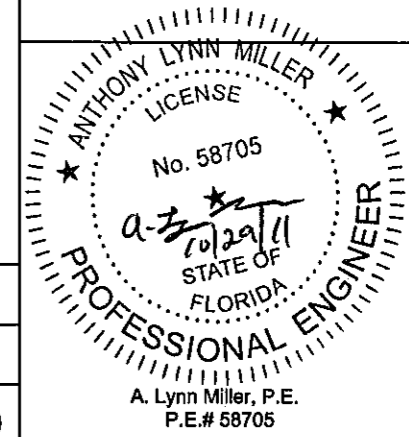


**HORIZONTAL SECTION  
THROUGH VENT**



**HORIZONTAL SECTION  
THROUGH FIXED LITE**

PRODUCT REVISED  
as complying with the Florida  
Building Code  
Acceptance No. 11-1110.17  
Expiration Date 11/06/2013  
By *[Signature]*  
Miami Dade Product Control



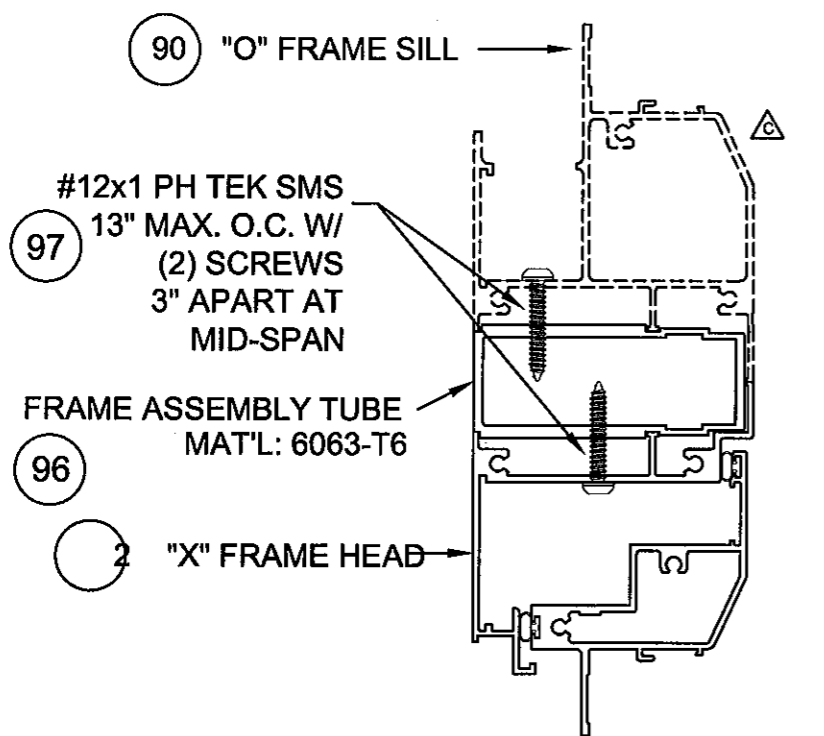
Revsd By: F.K.	Date: 10/19/05	Revisions: B	ADD ITEM 89
Revsd By: D.G.	Date: 09/02/08	Revisions: C	DASHED ALL "O" COMPONENTS
Revsd By: J.J.	Date: 10/25/11	Revisions: D	NO CHANGE THIS SHEET
Drawn By: F.K.	Date: 02/24/03	Checked By:	Date:

1070 TECHNOLOGY DRIVE  
NOKOMIS, FL 34275  
P.O. BOX 1529  
NOKOMIS, FL 34274

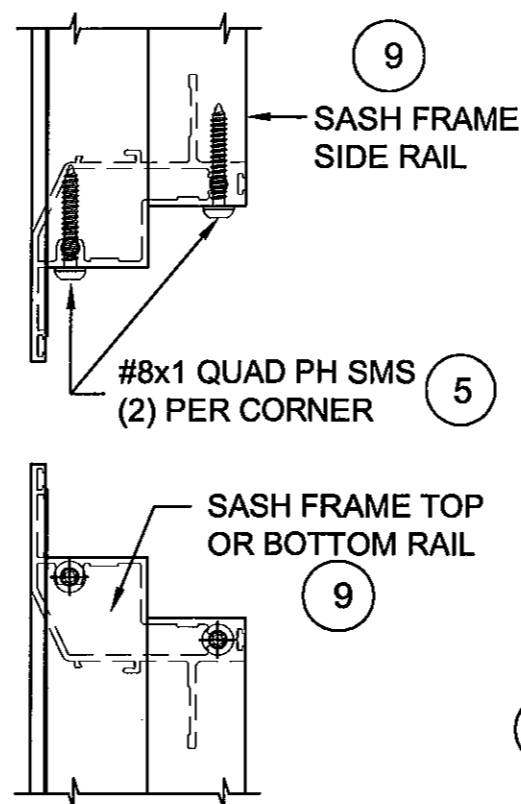


Description: <b>HORIZONTAL SECTIONS</b>			
Title: <b>ALUM. PROJECTED WINDOW, IMPACT</b>			
Series/Model: CA-740	Scale: NTS	Sheet: 8 of 11	Drawing No. 7052-7
			Rev: D

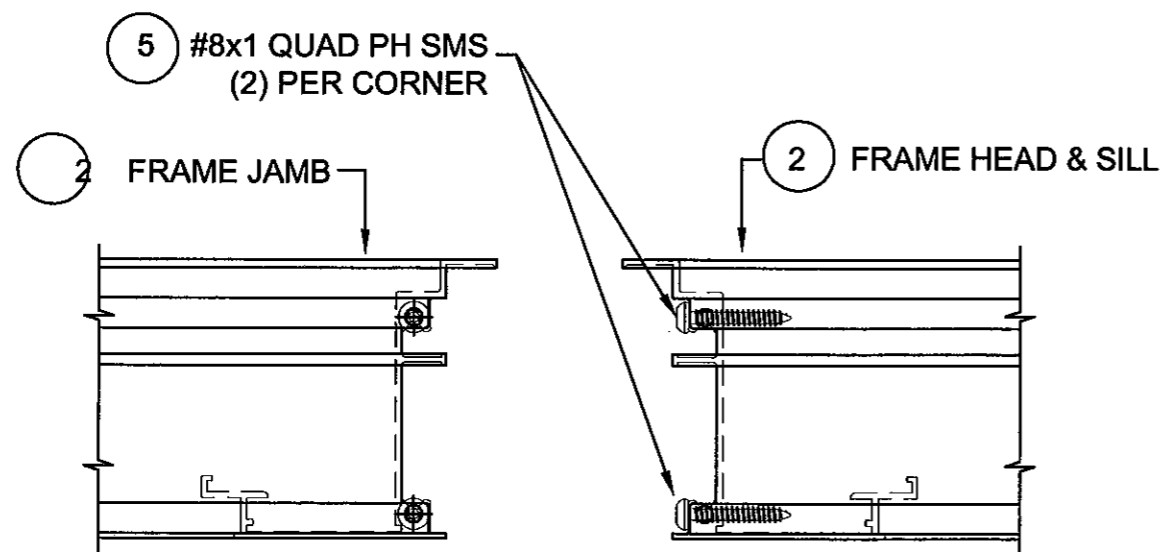
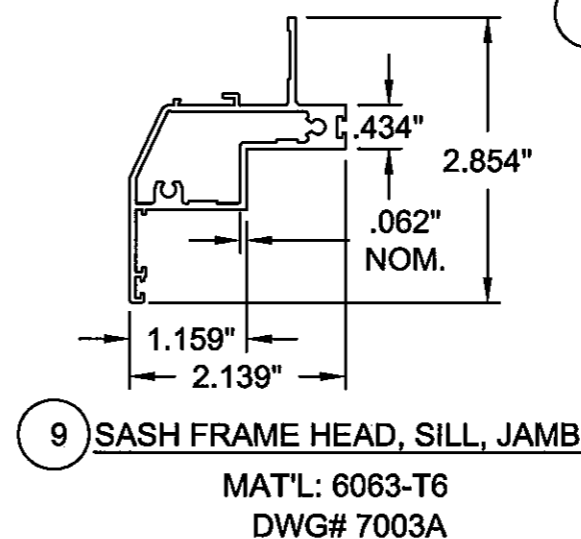
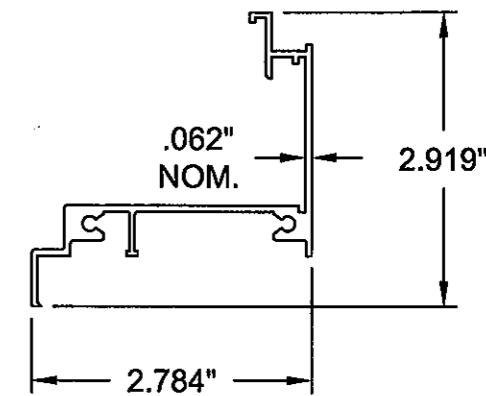
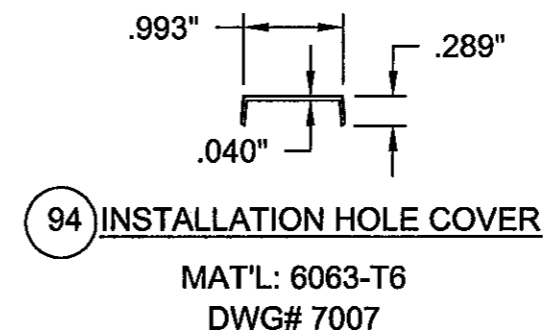
NOTE: ALL ALUMINUM SHALL BE OF 6063-T6



"OX" FRAME ASSEMBLY DETAIL

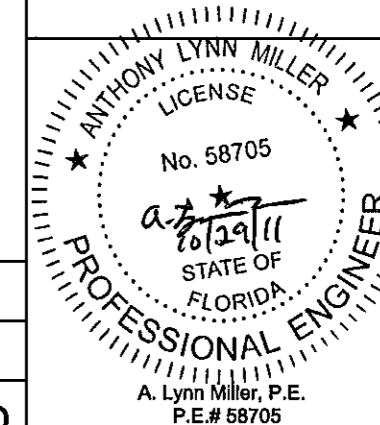


SASH FRAME ASSEMBLY DETAIL



MAIN FRAME ASSEMBLY DETAIL

PRODUCT REVISED  
as complying with the Florida  
Building Code  
Acceptance No. 11-1110.17  
Expiration Date 11/26/2013  
By *[Signature]*  
Miami Dade Product Control



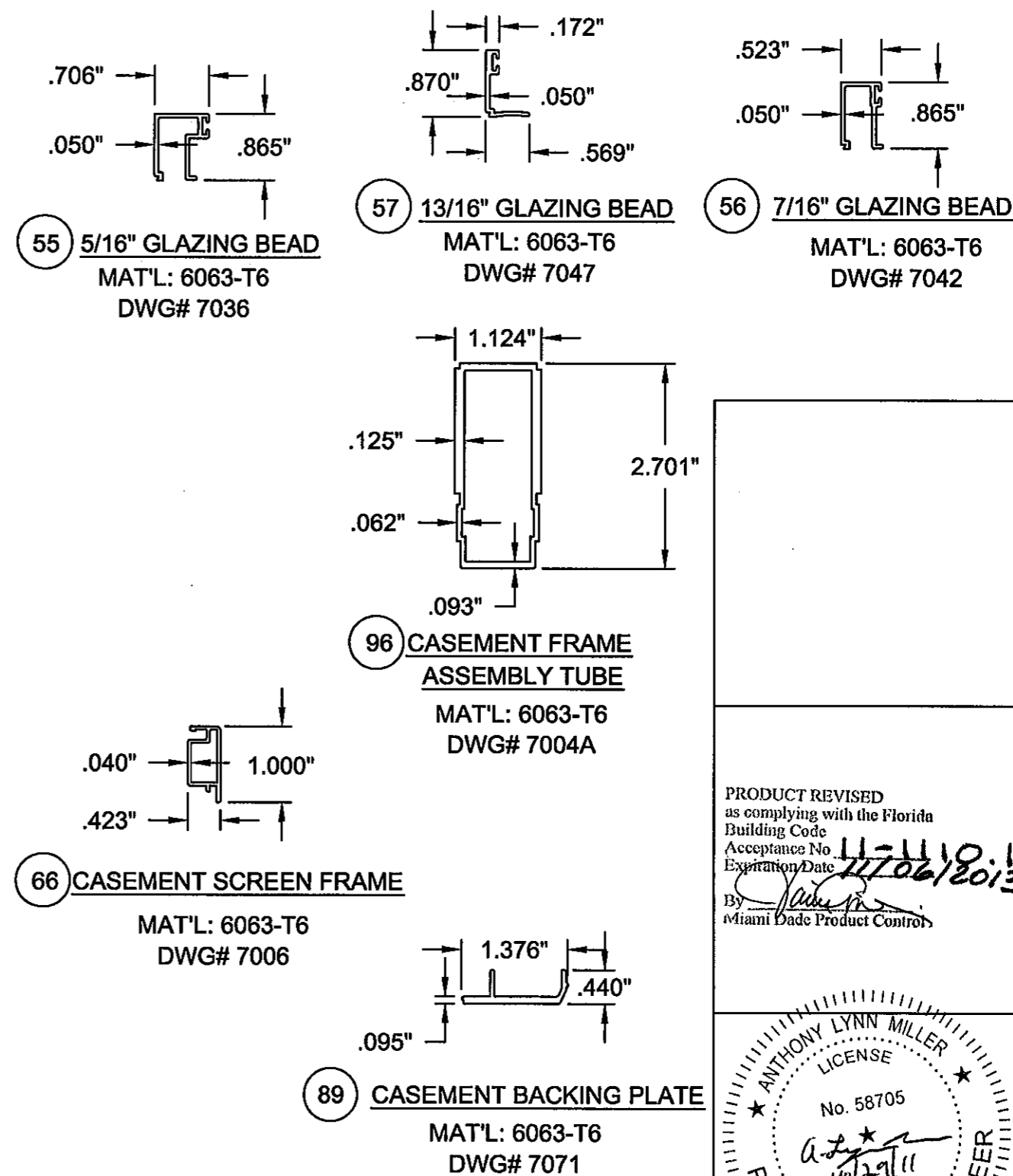
Revsd By: F.K.	Date: 10/19/05	Revisions: B	NO CHANGE THIS SHEET
Revsd By: D.G.	Date: 09/02/08	Revisions: C	REMOVED OR DASHED "O" COMPONENTS
Revsd By: J.J.	Date: 10/25/11	Revisions: D	NO CHANGE THIS SHEET
Drawn By: F.K.	Date: 02/24/03	Checked By: Date:	

1070 TECHNOLOGY DRIVE  
NOKOMIS, FL 34275  
P.O. BOX 1529  
NOKOMIS, FL 34274



Description: EXTRUSIONS & ASSEMBLY DETAILS			
Title: ALUM. PROJECTED WINDOW, IMPACT			
Series/Model: CA-740	Scale: NTS	Sheet: 9 of 11	Drawing No. 7052-7
			Rev: D

ITEM	DWG #	PGT. #	DESCRIPTION
2	7002	67002A	MAIN FRAME HEAD, SILL AND JAMB
5	1155	781PQA	#8 X 1 QUAD PN SMS
6	7008	7MC7008	FRAME CORNER KEY
7	7048	77048K	1/2"X1/2"X1/8" CLOSED-CELL FOAM TAPE
9	7003	67003A	SASH TOP, BOTTOM AND HINGED
5	1155	781PQA	#8 X 1 QUAD PN SMS
13	7017	67017K	BULB WEATHERSTRIP .187X.185
14	7009	7MC7009	SASH CORNER KEY
16	7024	7MC7024	TRUTH #24.30.XX.002, MAXIM MULTI- 2 POINT LOCK
17	7026	7MC7026	TRUTH #23050.92, LOCK SUPPORT PLATE
18		7MC1024PPF	TRUTH #19298, #10-24 X .562 PH. PN. TYPE F
20	7014	7MC7014 RH/LH	TRUTH #40928 & #40929, MULTI-LOCK KEEPER (R.H. & L.H.)
21	1157	78X12PPSMS	#8 X .500 PH. PN. SMS
23	7013	7MC7013	TRUTH #31841, TIE BAR GUIDE
24		78X1FPPSMS	#8 X 1.00 FH. PH. SMS
25	7015	SEE CHART	TRUTH #11901.92 (14.9), TIE BAR ASSEMBLY
27	7029	7MC7029	TRUTH #51.02.32.011, MAXIM PROJECTED OPERATOR
28	7030	7MC7030	TRUTH #31882, OPERATOR GASKET
29	7031	7MC7031	TRUTH #21641, BACKING PLATE
30		7832X38PPMSA	#8-32 X .375 PH. PN. TYPE B
31		7MC7022	TRUTH #11454, SNAP-ON HANDLE
32	7034		TRUTH #11577, OPERATOR TRACK & SLIDER
33		78X78PPSMS	#8 X .750 PH. PN. SMS
35	7023	7MC7023	TRUTH #34.25.00.212, PROJECTED HINGE - 12"
36	7023-2	7MC702316	TRUTH #34.27.00.104, PROJECTED HINGE - 16"
37	7023-3	7MC702320	TRUTH #34.29.00.107, PROJECTED HINGE - 20"
38		710X12PPSMS	#10 X .500 PH. PHL.
40			SILICONE - DOW CORNING 899, 995 OR EQUIVALENT
45		5/16"	LAMINATED GLASS (1/8" ANN. & 1/8" HS GLASS W/ AN .090 INNER LAYER OF SOLUTIA OR DUPONT PVB)
46		5/16"	LAMINATED GLASS (2 LITES OF 1/8" HS GLASS W/ AN .090 INNER LAYER OF SOLUTIA OR DUPONT PVB)
47		7/16"	LAMINATED GLASS (3/16" ANN. & 3/16" HS GLASS W/ AN .090 INNER LAYER OF SOLUTIA OR DUPONT PVB)
48		7/16"	LAMINATED GLASS (2 LITES OF 3/16" HS GLASS W/ AN .090 INNER LAYER OF SOLUTIA OR DUPONT PVB)
49		13/16"	I.G. GLASS (1/8" TMP GLASS & 5/16" LAMI W/ 3/8" AIR SPACE) 5/16" LAMINATED GLASS (2 LITES 1/8" HS GLASS WITH AN .090 INNER LAYER OF SOLUTIA OR DUPONT PVB)
50	1634	71634K	SETTING BLOCK 5/32" X 7/16" X 1" LG.
55	7036	67036	GLAZING BEAD (1/4, 5/16 LAM.)
56	7042	67042	GLAZING BEAD (1/2" I.G., 7/16 LAM.)
57	7047	67407	GLAZING BEAD (13/16" I.G.)
64	1224	6TP247	VINYL BULB WSTP (THICK)
66	7006	67006	SCREEN FRAME
68	7040	47040 W/B	SCREEN CORNER KEY
69			SCREEN CLOTH
70	1635	61635K	SCREEN SPLINE - SERRATED
71	331-A	60976	CASEMENT SCREEN CLIP
72	1157	78X12PSTW/B	#8 X .500 SQ. PN. TEK SMS
77		7MC30426	TRUTH #30476, CLERESTORY POLE
78		7MC20550	TRUTH #20550, CLERESTORY ADAPTER
79	7019	711573	TRUTH #11573, SNAP-ON T-HANDLE KNOB
80	7018	7FLDHD	TRUTH #11329, FOLDING HANDLE
89	7071	67071	CASEMENT BACKING PLATE (SEE NOTE 4, SHEET 11)



PRODUCT REVISED as complying with the Florida Building Code  
Acceptance No. 11-1110-17  
Expiration Date 11/06/2013  
By: *[Signature]*  
Miami Dade Product Control

ANTHONY LYNN MILLER  
LICENSE  
No. 58705  
A. Lynn Miller, P.E.  
STATE OF FLORIDA  
P.E.# 58705  
PROFESSIONAL ENGINEER

Revsd By: F.K.	Date: 10/19/05	Revisions: B	ADD EQUIV. TO ITEM 40, SILICONE AND ADD ITEM 89
Revsd By: D.G.	Date: 09/02/08	Revisions: C	REMOVE FIXED ("O") PARTS FROM B.O.M.
Revsd By: J.J.	Date: 10/25/11	Revisions: D	ITEM 49 HS TO TMP
Drawn By: F.K.	Date: 02/24/03	Checked By:	Date:

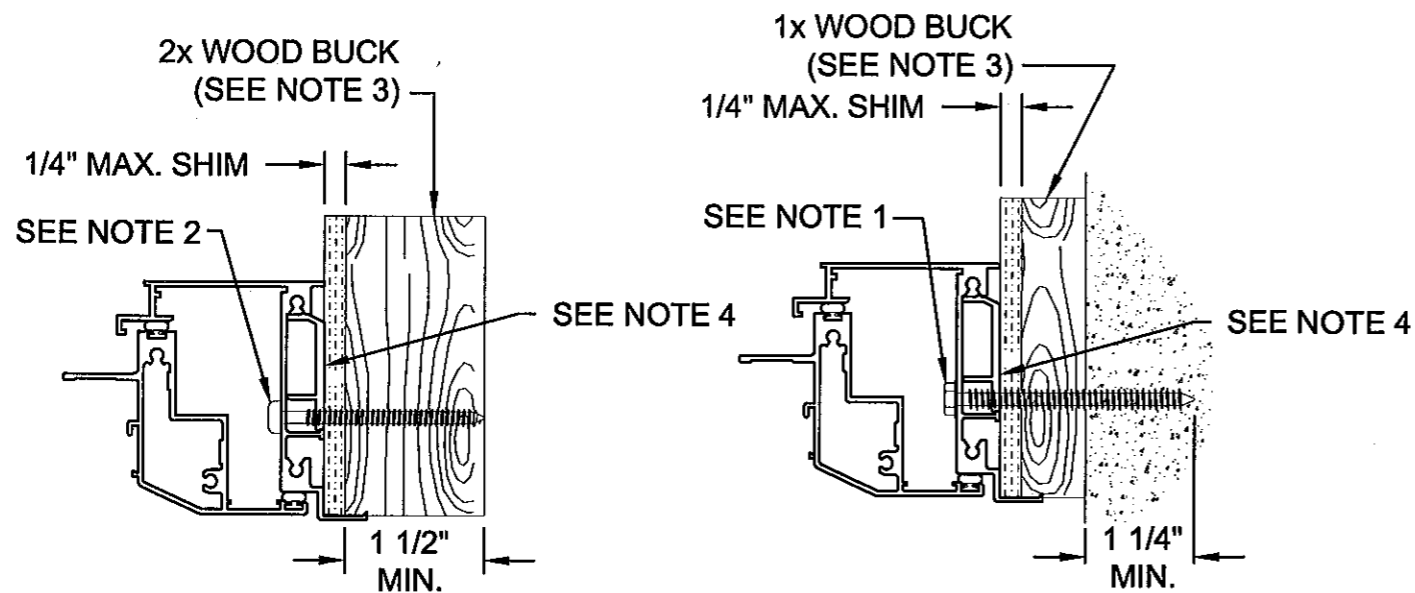
1070 TECHNOLOGY DRIVE  
NOKOMIS, FL 34275  
P.O. BOX 1529  
NOKOMIS, FL 34274

**PGT**  
Visibly Better

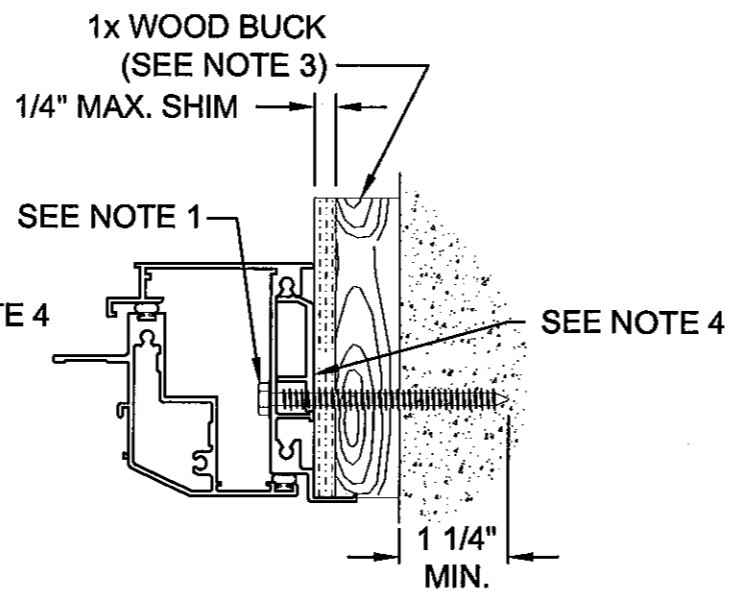
Description: PARTS LIST & EXTRUSIONS  
Title: ALUM. PROJECTED WINDOW, IMPACT

Series/Model: CA-740  
Scale: NTS  
Sheet: 10 of 11  
Drawing No. 7052-7  
Rev: D

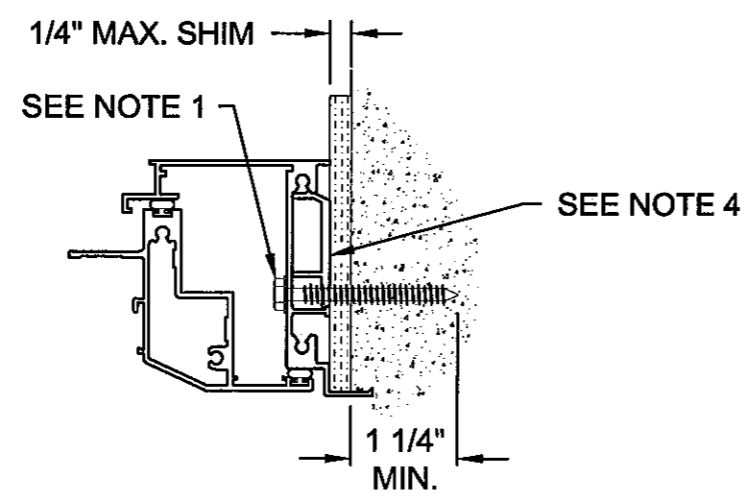
ANTHONY LYNN MILLER  
LICENSE  
No. 58705  
A. Lynn Miller, P.E.  
STATE OF FLORIDA  
P.E.# 58705  
PROFESSIONAL ENGINEER



**OPERABLE UNIT FRAME  
TO WOOD BUCK  
1 1/2" OR MORE THICK**



**OPERABLE UNIT FRAME  
TO CONCRETE W/ WOOD BUCK  
LESS THAN 1 1/2" THICK**



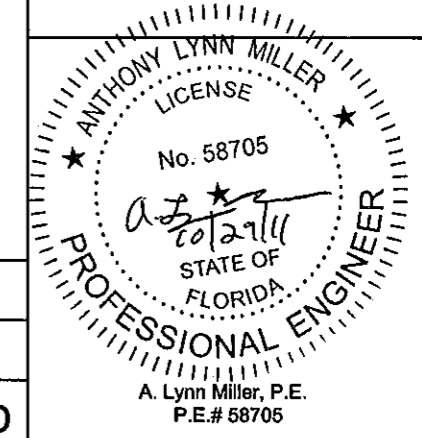
**OPERABLE UNIT FRAME  
TO CONCRETE**

**NOTE: ALL DETAILS  
APPLY TO HEAD,  
SILL, AND JAMB.**

**NOTES:**

1. FOR CONCRETE APPLICATIONS IN MIAMI-DADE COUNTY, USE ONLY MIAMI-DADE COUNTY APPROVED 1/4" ELCO TAPCONS OR 1/4" SS4 CRETE-FLEX CONCRETE ANCHORS. MINIMUM DISTANCE FROM ANCHOR TO CONCRETE EDGE IS 2 1/2". SEE SHEET 1 FOR SPACING.
2. FOR WOOD APPLICATIONS IN MIAMI-DADE COUNTY, USE #12 SCREWS, 1/4" ELCO TAPCONS OR 1/4" ELCO SS4 CRETE-FLEX. SEE SHEET 1 FOR SPACING.
3. WOOD BUCKS DEPICTED IN THE SECTIONS ON THIS PAGE AS 1x ARE BUCKS WHOSE TOTAL THICKNESS IS LESS THAN 1 1/2". 1x WOOD BUCKS ARE OPTIONAL IF UNIT IS INSTALLED DIRECTLY TO SOLID CONCRETE. WOOD BUCKS DEPICTED AS 2x ARE 1 1/2" THICK OR GREATER. INSTALLATION TO THE SUBSTRATE OF WOOD BUCKS TO BE ENGINEERED BY OTHERS OR AS APPROVED BY AUTHORITY HAVING JURISDICTION.
4. ITEM 89, BACKING PLATE, NOT REQUIRED FOR INSTALLATIONS OUTSIDE MIAMI-DADE COUNTY.

PRODUCT REVISED  
as complying with the Florida  
Building Code  
Acceptance No. **11-1110.17**  
Expiration Date **11/06/2013**  
By *[Signature]*  
Miami Dade Product Control



Revised By: F.K.	Date: 10/19/05	Revisions: B	REVISE ANCHORAGE AND NOTES
Revised By: D.G.	Date: 09/02/08	Revisions: C	REMOVED ALL "O" ANCHORAGE DETAILS
Revised By: J.J.	Date: 10/25/11	Revisions: D	NO CHANGE THIS SHEET
Drawn By: F.K.	Date: 02/24/03	Checked By:	Date:

1070 TECHNOLOGY DRIVE  
NOKOMIS, FL 34275  
P.O. BOX 1529  
NOKOMIS, FL 34274



Description: ANCHORAGE DETAILS			
Title: ALUM. PROJECTED WINDOW, IMPACT			
Series/Model: CA-740	Scale: NTS	Sheet: 11 of 11	Drawing No. 7052-7
			Rev: D