



DEPARTMENT OF PERMITTING, ENVIRONMENT, AND REGULATORY  
AFFAIRS (PERA)  
BOARD AND CODE ADMINISTRATION DIVISION

MIAMI-DADE COUNTY  
PRODUCT CONTROL SECTION  
11805 SW 26 Street, Room 208  
Miami, Florida 33175-2474  
T (786) 315-2590 F (786) 315-2599

**NOTICE OF ACCEPTANCE (NOA)**

[www.miamidade.gov/pera](http://www.miamidade.gov/pera)

PGT Industries, Inc.  
1070 Technology Drive  
North Venice, FL 34275

**SCOPE:**

This NOA is being issued under the applicable rules and regulations governing the use of construction materials. The documentation submitted has been reviewed and accepted by Miami-Dade County PERA - Product Control Section to be used in Miami Dade County and other areas where allowed by the Authority Having Jurisdiction (AHJ).

This NOA shall not be valid after the expiration date stated below. The Miami-Dade County Product Control Section (In Miami Dade County) and/or the AHJ (in areas other than Miami Dade County) reserve the right to have this product or material tested for quality assurance purposes. If this product or material fails to perform in the accepted manner, the manufacturer will incur the expense of such testing and the AHJ may immediately revoke, modify, or suspend the use of such product or material within their jurisdiction. PERA reserves the right to revoke this acceptance, if it is determined by Miami-Dade County Product Control Section that this product or material fails to meet the requirements of the applicable building code.

This product is approved as described herein, and has been designed to comply with the Florida Building Code, including the High Velocity Hurricane Zone.

**DESCRIPTION: Series "PW-3020 Picture" Aluminum Fixed Window - L.M.I.**

**APPROVAL DOCUMENT:** Drawing No. 3020-3 titled "Aluminum Picture Window, LMI", sheets 1 through 7 of 7, prepared by manufacturer, dated 12/15/07, with revision B dated 11/19/11, prepared by manufacturer, signed and sealed by Anthony Lynn Miller, P. E., bearing the Miami-Dade County Product Control Renewal stamp with the Notice of Acceptance number and expiration date by the Miami-Dade County Product Control Section.

**MISSILE IMPACT RATING: Large and Small Missile Impact Resistant.**

**LABELING:** Each unit shall bear a permanent label with the manufacturer's name or logo, city, state, model/series, and following statement: "Miami-Dade County Product Control Approved", unless otherwise noted herein.

**RENEWAL** of this NOA shall be considered after a renewal application has been filed and there has been no change in the applicable building code negatively affecting the performance of this product.

**TERMINATION** of this NOA will occur after the expiration date or if there has been a revision or change in the materials, use, and/or manufacture of the product or process. Misuse of this NOA as an endorsement of any product, for sales, advertising or any other purposes shall automatically terminate this NOA. Failure to comply with any section of this NOA shall be cause for termination and removal of NOA.

**ADVERTISEMENT:** The NOA number preceded by the words Miami-Dade County, Florida, and followed by the expiration date may be displayed in advertising literature. If any portion of the NOA is displayed, then it shall be done in its entirety.

**INSPECTION:** A copy of this entire NOA shall be provided to the user by the manufacturer or its distributors and shall be available for inspection at the job site at the request of the Building Official.

This NOA **renews NOA# 11-1114.16** and consists of this page 1 and evidence pages E-1 and E-2, as well as approval document mentioned above.

The submitted documentation was reviewed by **Manuel Perez, P.E.**



*MP*  
*7/25/12*

NOA No. 12-0516.05  
Expiration Date: August 16, 2017  
Approval Date: August 02, 2012  
Page 1

**NOTICE OF ACCEPTANCE: EVIDENCE SUBMITTED**

**A. DRAWINGS**

1. Manufacturer's die drawings and sections.
2. Drawing No. **3020-3** titled "Aluminum Picture Window, LMP", sheets 1 through 7 of 7, dated 12/15/07, with revision B dated 11/19/11, prepared by manufacturer, signed and sealed by Anthony Lynn Miller, P.E.

**B. TESTS**

1. Test reports on:
  - 1) Air Infiltration Test, per FBC, TAS 202-94
  - 2) Uniform Static Air Pressure Test, Loading per FBC TAS 202-94
  - 3) Water Resistance Test, per FBC, TAS 202-94
  - 4) Small Missile Impact Test per FBC, TAS 201-94
  - 5) Cyclic Wind Pressure Loading per FBC, TAS 203-94along with marked-up drawings and installation diagram of an aluminum fixed window, prepared by Architectural Testing, Inc., Test Report No. **ATI-72150.01-401-18**, dated 07/23/07 signed and sealed by Joseph A. Reed, P.E.  
*(Submitted under NOA No. 07-0613.02)*

**C. CALCULATIONS**

1. Anchor verification calculations and structural analysis, complying with FBC, dated 04/16/07, prepared by PGT Industries, Inc., signed and sealed by Robert L. Clark, P.E.  
*(Submitted under previous NOA No. 09-0901.08)*
2. Glazing complies with ASTM E1300-04

**D. QUALITY ASSURANCE**

1. Miami-Dade Department of Permitting, Environment, and Regulatory Affairs (PERA)

**E. MATERIAL CERTIFICATIONS**

1. Notice of Acceptance No. **11-0624.02** issued to **E.I. DuPont DeNemours & Co., Inc.** for their "**DuPont SentryGlas® Interlayer**" dated 08/25/11, expiring on 01/14/17.

**F. STATEMENTS**

1. Statement letter of conformance, complying with the FBC-2010, dated May 14, 2012, signed and sealed by Anthony Lynn Miller, P. E.
2. Statement letter of no financial interest, dated May 14, 2012, signed and sealed by Anthony Lynn Miller, P.E.

  
Manuel Perez, P.E.  
Product Control Examiner  
NOA No. 12-0516.05

Expiration Date: August 16, 2017  
Approval Date: August 02, 2012

NOTICE OF ACCEPTANCE: EVIDENCE SUBMITTED

**F. STATEMENTS (CONTINUED)**

3. Letter of *Adoption of as his Own, the Work of another Engineer* per Section 61G15-27.001 of the F.B.P.E., dated 10/07/11 signed and sealed by Anthony Lynn Miller, P.E.  
*(Submitted under previous NOA No. 11-1114.16)*
4. Statement letter of conformance and compliance with the FBC-2007, dated August 10, 2009, signed and sealed by Robert L. Clark, P.E.  
*(Submitted under previous NOA No. 09-0901.08)*
5. Laboratory compliance letter for Test Report No. **ATI-72150.01-401-18**, issued by Architectural Testing, Inc., dated 07/23/07, signed and sealed by Joseph A. Reed, P.E.  
*(Submitted under previous NOA No. 07-0613.02)*

**G. OTHERS**

1. Notice of Acceptance No. **11-1114.16**, issued to PGT Industries, Inc. for their Series "PW-3020 Aluminum Fixed Window - L.M.I.", approved on 02/16/12 and expiring on 08/16/12.

  
Manuel Perez, P.E.  
Product Control Examiner  
NOA No. 12-0516.05

Expiration Date: August 16, 2017  
Approval Date: August 02, 2012

# GENERAL NOTES: LARGE MISSILE IMPACT PICTURE WINDOW

- GLAZING OPTION(S): 9/16" LAMI; (2) LITES OF 1/4" HEAT STRENGTHENED GLASS ( HS) GLASS WITH AN .090" SENTRYGLAS PLUS (SGP) INTERLAYER.
- CONFIGURATIONS: O; APPROVAL APPLIES TO FIXED WINDOWS OF EQUAL LEG FRAMES. SIDE BY SIDE COMBINATIONS OF FIXED/FIXED OR FIXED WITH OTHER WINDOW TYPES IN MODULES OF TWO OR MORE WINDOWS USING APPROVED MULLIONS.
- DESIGN PRESSURES: A. NEGATIVE DESIGN LOADS BASED ON TESTED PRESSURE AND GLASS TABLES ASTM E 1300-02; B. POSITIVE DESIGN LOADS BASED ON WATER TEST PRESSURE AND GLASS TABLES ASTM E 1300-02.
- ANCHORAGE: ANCHOR SHALL BE AS LISTED AND SPACED AS SHOWN ON DETAILS. ANCHOR EMBEDMENT TO SUBSTRATE SHALL BE BEYOND WALL DRESSING OR STUCCO. THE 33 1/3% STRESS INCREASE HAS NOT BEEN USED IN THE DESIGN OF THIS PRODUCT. MATERIALS, INCLUDING BUT NOT LIMITED TO STEEL SCREWS, THAT COME INTO CONTACT WITH OTHER DISSIMILAR MATERIALS SHALL MEET THE REQUIREMENTS OF THE FLORIDA BUILDING CODE. APPROVED ANCHORS: 1, #14 STEEL SCREW (G5) 2, 1/4" ELCO ULTRACON 3 & 4, 5/16" ELCO ULTRACON.
- SHUTTER REQUIREMENT: NOT REQUIRED.
- INSTALLATION SCREWS AND FRAME CORNERS SEALED WITH NARROW JOINT SEALANT.
- REFERENCES: TEST REPORT ATI 72135.01-401.18 & 72150.01-401.18; ELCO TEXTRON NOA 07.0425.01; ANSI/AF&PA NDS-2005 FOR WOOD CONSTRUCTION; ADM-2005 ALUMINUM DESIGN MANUAL
- THIS PRODUCT HAS BEEN DESIGNED & TESTED TO COMPLY WITH THE REQUIREMENTS OF THE FLORIDA BUILDING CODE, INCLUDING THE HIGH VELOCITY HURRICANE ZONE (HVHZ).

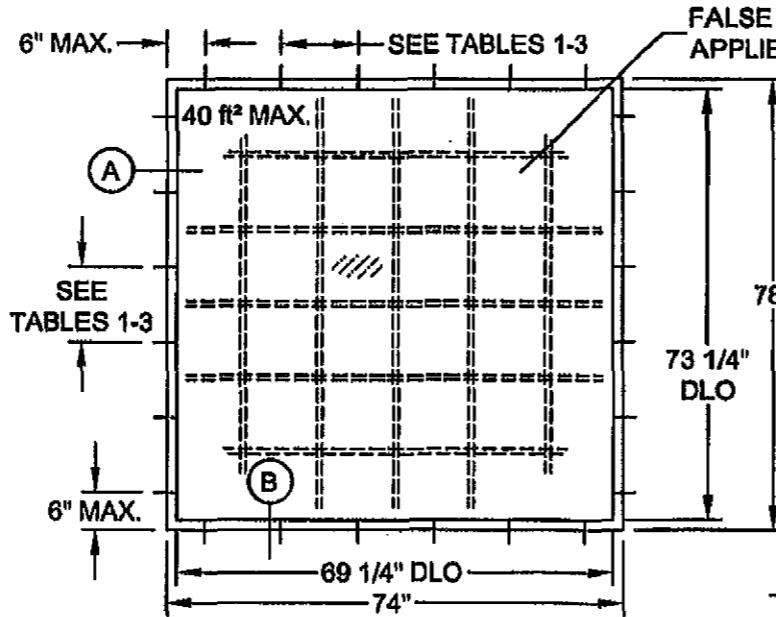
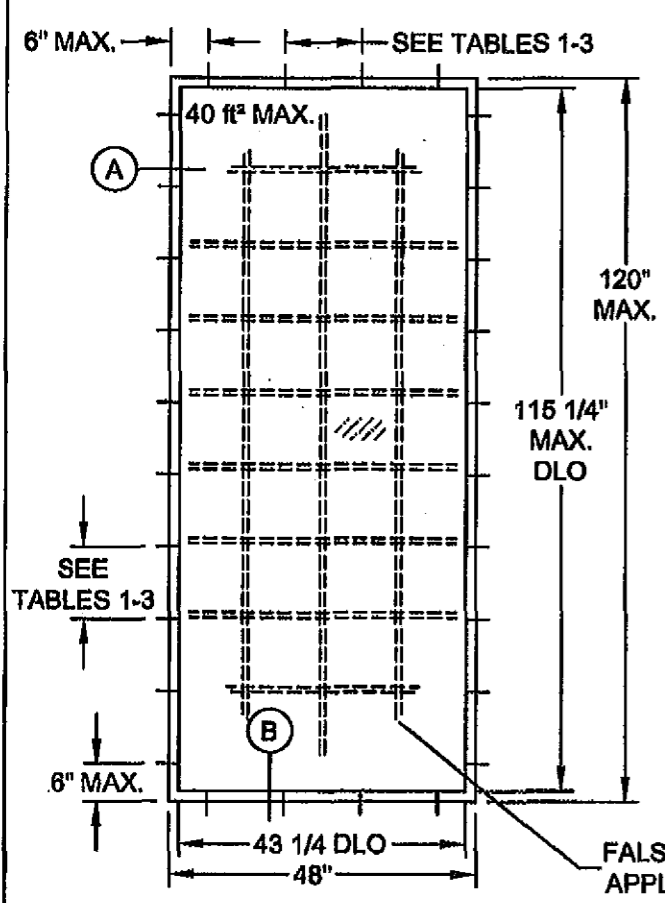
**NOTE:**  
SUITABLE FOR LARGE AND SMALL MISSILE APPLICATIONS

DESIGN PRESSURES		
(ALL SIZES & CONFIGURATIONS)		
GLASS TYPE	POS	NEG
9/16" HEAT STRENGTHENED SGP LAMI	+130.0	-130.0

BASED ON 5/16" ELCO TAPCONS IN CONCRETE USING JAMB ANCHOR PLATE AND 1/4" SHIMS. OTHER ANCHOR TYPES AND SUBSTRATES AVAILABLE, SOME WITH DESIGN PRESSURE LIMITATIONS. SEE ENCLOSED FOR SPECIFICS.

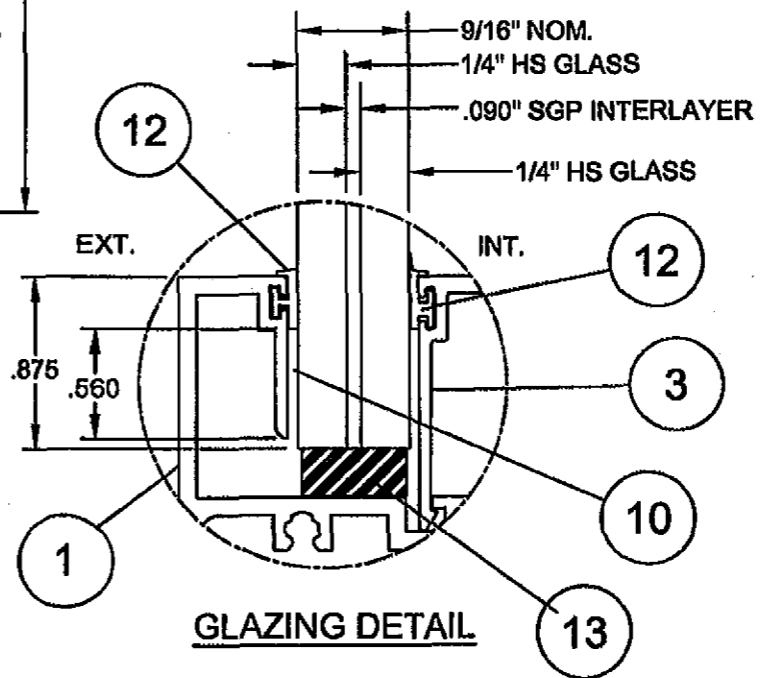
## NOA DRAWING MAP

GENERAL NOTES.....	1
GLAZING DETAILS.....	1
ELEVATIONS.....	1
VERT. SECTIONS.....	2
HORIZ. SECTIONS.....	2
CORNER ASSEMBLY.....	2
EXTRUSIONS.....	3
PARTS LIST.....	3
ANCHORAGE.....	3
ANCHOR QUANTITIES.....	4-6
DP TABLES.....	7



NOTE: WINDOW TO BE 40 SQUARE FEET IN AREA OR LESS AND NOT MORE THAN 120" ON ANY 1 SIDE.

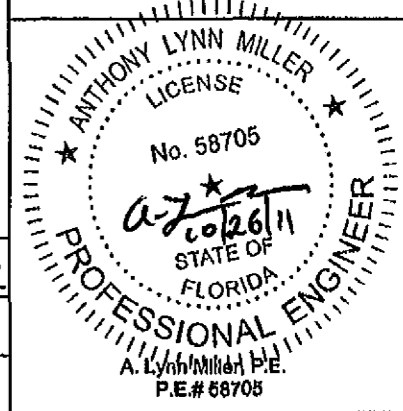
**ELEVATION**  
(AS TESTED)



**GLAZING DETAIL**

**PRODUCT RENEWED**  
as complying with the Florida Building Code  
Acceptance No. 12-0516.05  
Expiration Date AUG. 16, 2017  
By *Manuel Perez*  
Miami Dade Product Control

**PRODUCT REVISED**  
as complying with the Florida Building Code  
Acceptance No. 11-1114.16  
Expiration Date 08/16/2012  
By *[Signature]*  
Miami Dade Product Control



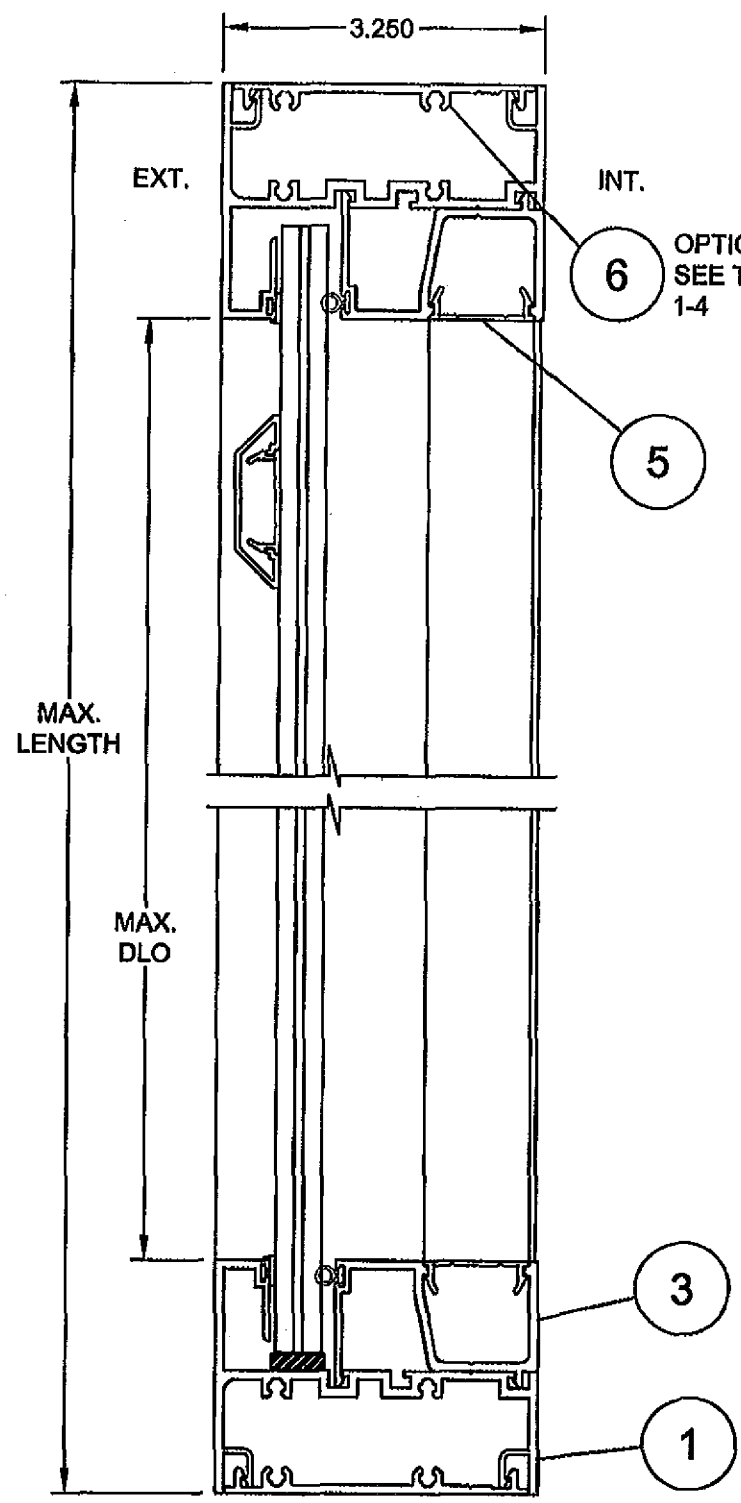
Revised By: JR	Date: 05/25/09	Revisions: A	A. Added 40 ft² rule & updated format.
Revised By: J.J.	Date: 11/19/11	Revisions: B	2010 FBC UPDATE
Drawn By: J.R.	Date: 12/15/07	Checked By:	Date:

1070 TECHNOLOGY DRIVE  
NOKOMIS, FL 34275  
P.O. BOX 1529  
NOKOMIS, FL 34274

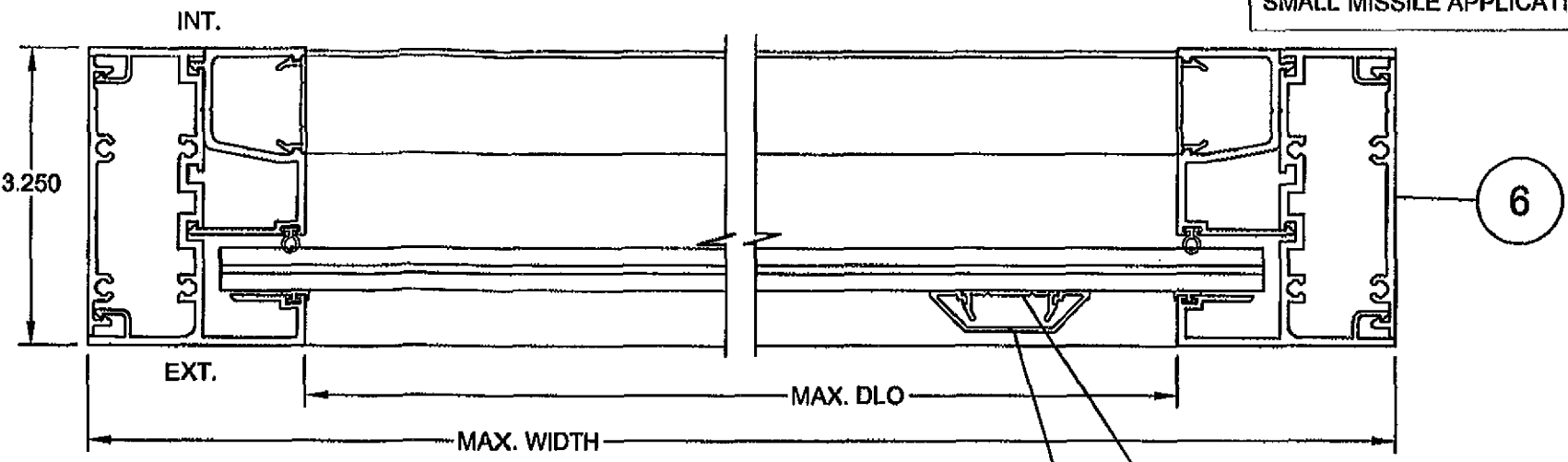


Description: GENERAL NOTES, ELEVATION & GLAZING DETAIL			
Title: ALUMINUM PICTURE WINDOW, LMI			
Series/Model: PW3020	Scale: NTS	Sheet: 1 of 7	Drawing No. 3020-3
Rev: B			

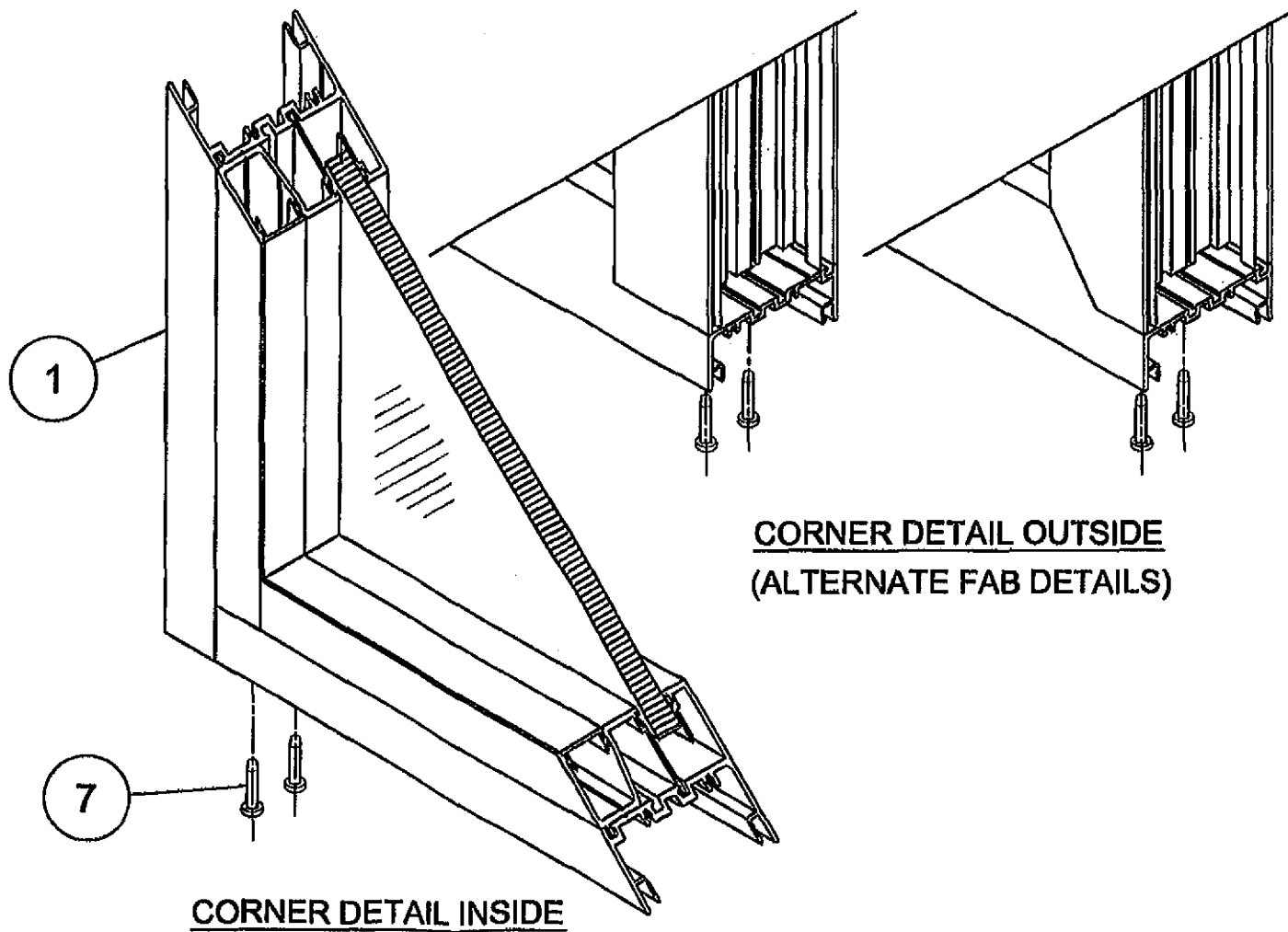
**NOTE:**  
SUITABLE FOR LARGE AND SMALL MISSILE APPLICATIONS



**VERTICAL SECTION - A**

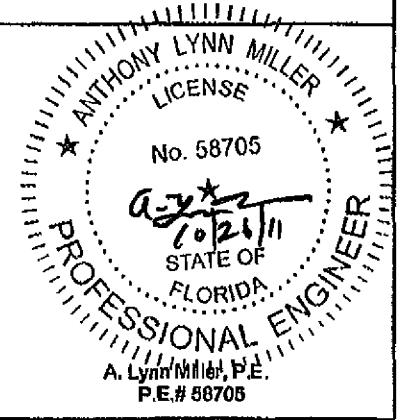


**HORIZONTAL SECTION - B**




**PRODUCT RENEWED**  
as complying with the Florida  
Building Code  
Acceptance No. **12-0516.05**  
Expiration Date **AUG. 16, 2017**  
By *Mmanuel Perez*  
Miami Dade Product Control

**PRODUCT REVISED**  
as complying with the Florida  
Building Code  
Acceptance No. **11-1114.16**  
Expiration Date **08/16/2012**  
By *[Signature]*  
Miami Dade Product Control



Revised By: JR	Date: 05/25/09	Revisions: A	A. Added 40 ft <sup>2</sup> rule & updated format.
Revised By: J.J.	Date: 11/19/11	Revisions: B	NO CHANGE THIS SHEET
Revised By:	Date:	Revisions:	
Drawn By: J.R.	Date: 12/15/07	Checked By:	Date:

1070 TECHNOLOGY DRIVE  
NOKOMIS, FL 34275  
P.O. BOX 1629  
NOKOMIS, FL 34274

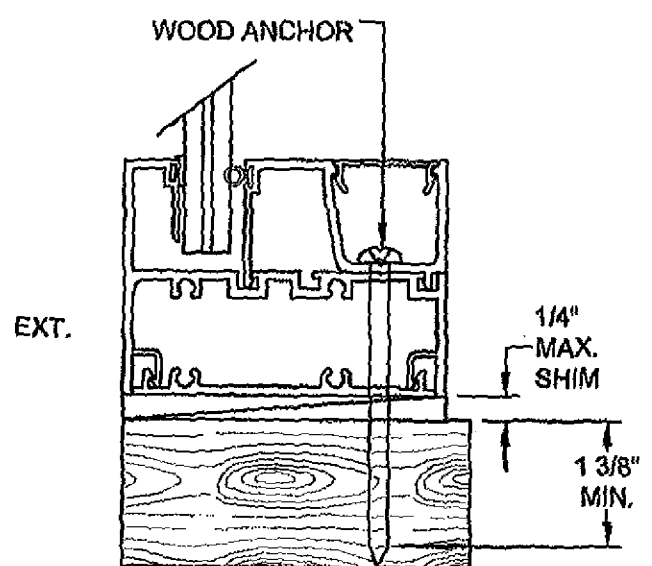


Description: <b>SECTIONS</b>			
Title: <b>ALUMINUM PICTURE WINDOW, LMI</b>			
Series/Model: PW3020	Scale: .5x	Sheet: 2 of 7	Drawing No. 3020-3
			Rev: B

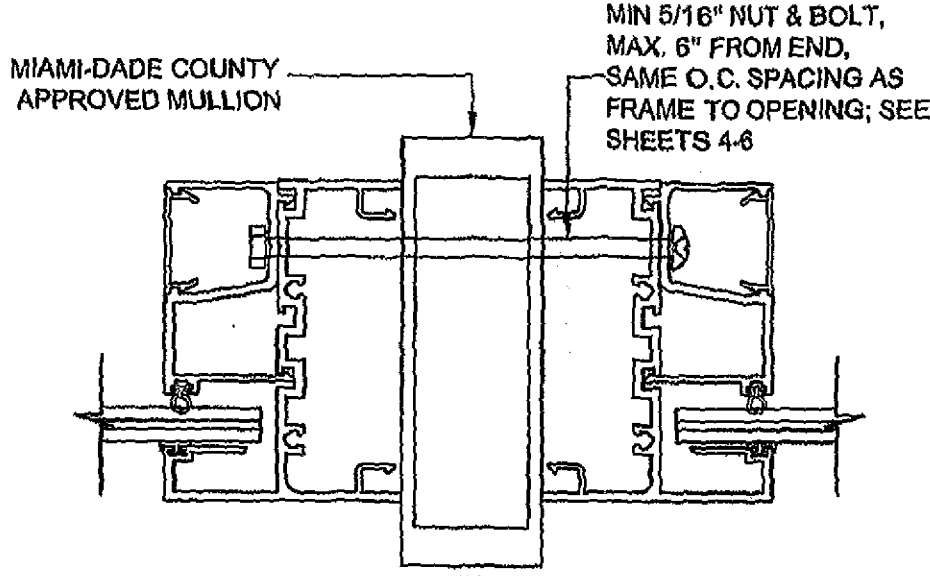
**NOTES:**

1. FOR CONCRETE APPLICATIONS USE ANCHOR TYPE 2, 3 OR 4. SEE SHEETS 1-3, FOR ANCHOR DESCRIPTION AND SPACING.
2. FOR WOOD APPLICATIONS USE ANCHOR TYPES 1 OR 2. SEE SHEET 1-3 FOR ANCHOR DESCRIPTION AND SPACING.
3. WOOD BUCKS DEPICTED AS 1x ARE LESS THAN 1 1/2" THICK. 1x WOOD BUCKS ARE OPTIONAL IF UNIT IS INSTALLED DIRECTLY TO SOLID CONCRETE. WOOD BUCKS DEPICTED AS 2x ARE 1 1/2" THICK OR GREATER. INSTALLATION TO THE SUBSTRATE OF WOOD BUCKS TO BE ENGINEERED BY OTHERS OR AS APPROVED BY THE AUTHORITY HAVING JURISDICTION (AHJ).

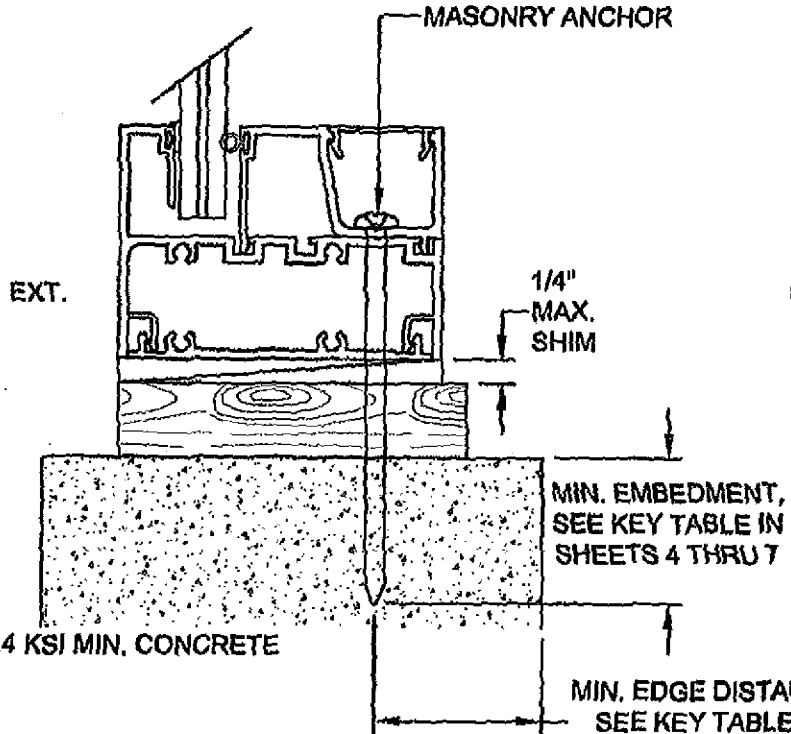
ITEM	PART #	DESCRIPTION	MAT'L	VENDOR #
1	13102	FRAME, FEMALE	6063-T5	3506GW-90-7
3	13105	GLAZING BEAD, TYPE 1	6063-T5	3506GW-90-3
5	13106	ANCHOR COVER PLATE	6063-T5	3506GW-90-5
6	13103	ANCHOR PLATE	6063-T5	3506GW-90-9
7		#10 X 1" PH SMS	S.S.	
8	13053	MUNTIN/MULL COVER	6063-T5	3506GW-590-3
10		BACKBEDDING	SILICONE	GE RS 7700
11		SEAM-SEALER		
12	13060	GLAZING LEG WSTP.	EPDM	13060
13	1614	SETTING BLOCK 1/8"x1/2"x1"	EPDM	
14	9/16" LAMI (1/4" T, .080 SGP, 1/4" T)	GLASS	PGT	



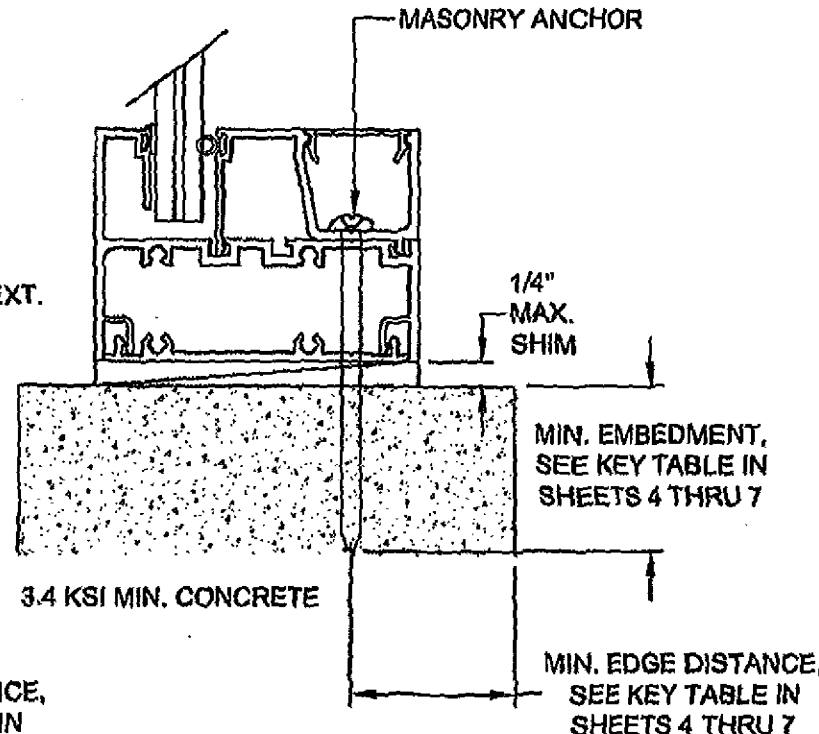
**TYPE HEAD, SILL & JAMB (2x WOOD)**



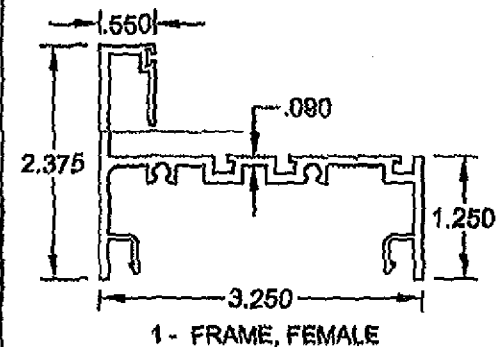
**MULLED EXAMPLE - ENGINEERED BY OTHERS**



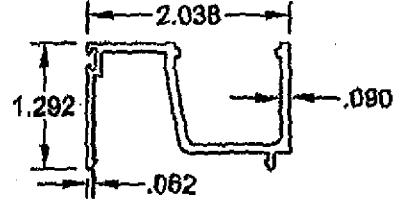
**TYPE HEAD, SILL & JAMB (CONCRETE W/ 1x BUCK)**



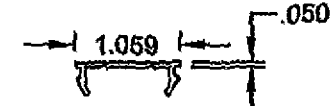
**TYPE HEAD, SILL & JAMB (DIRECTLY TO CONCRETE)**



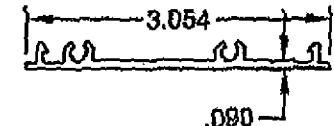
1 - FRAME, FEMALE



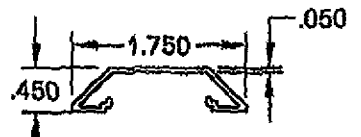
3 - GLAZING BEAD, TYPE 1



5 - ANCHOR COVER PLATE



6 - ANCHOR PLATE

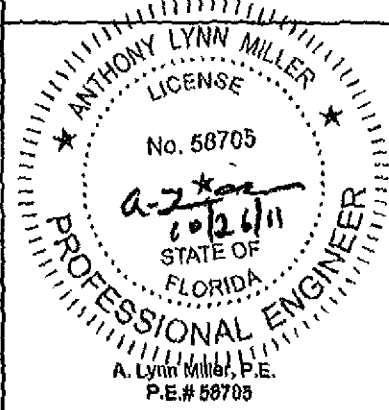


8 - MUNTIN/MULL COVER

**NOTE:**  
SUITABLE FOR LARGE AND SMALL MISSILE APPLICATIONS


**PRODUCT RENEWED**  
as complying with the Florida Building Code  
Acceptance No. 12-0516.05  
Expiration Date AUG. 16, 2017  
By *Manuel Perez*  
Miami Dade Product Control

**PRODUCT REVISED**  
as complying with the Florida Building Code  
Acceptance No. 11-114.16  
Expiration Date 02/16/2012  
By *[Signature]*  
Miami Dade Product Control



Revised By: JR	Date: 05/25/09	Revisions: A	A. Added 40 ft <sup>2</sup> rule & updated format.
Revised By: J.J.	Date: 11/19/11	Revisions: B	NO CHANGE THIS SHEET
Revised By:	Date:	Revisions:	
Drawn By: J.R.	Date: 12/15/07	Checked By:	Date:

1070 TECHNOLOGY DRIVE  
NOKOMIS, FL 34275  
P.O. BOX 1529  
NOKOMIS, FL 34274



Description: PARTS LIST, EXTRUSIONS & ANCHORAGE			
Title: ALUMINUM PICTURE WINDOW, LMI			
Scale: PW3020	Sheet: .5x	Sheet: 3 of 7	Drawing No: 3020-3
			Rev: B

TABLE 1

HEAD, SILL AND JAMB ANCHOR QUANTITIES FOR DESIGN PRESSURES OF +130/-130 PSF OR LESS

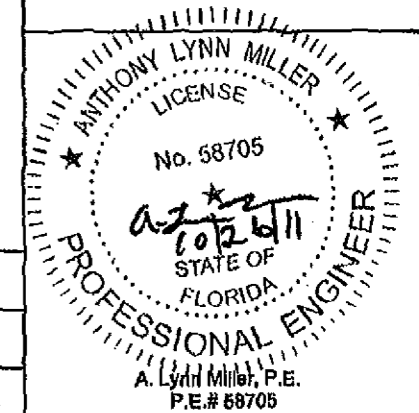
ANCHOR TYPE (see table below)		WINDOW HEIGHT (in)																															
		36				48				60				72				84				96				108				120			
WINDOW WIDTH (in)	ANCHOR LOCATION	1	2	3	4	1	2	3	4	1	2	3	4	1	2	3	4	1	2	3	4	1	2	3	4	1	2	3	4	1	2	3	4
24	Head and Sill	2	2	3	2	2	2	3	2	2	2	3	2	2	2	3	2	2	2	3	2	2	2	3	2	2	2	3	2	2	2	3	2
	Jamb	3	3	5	3	4	4	7	4	5	5	9	5	6	6	11	6	7	7	13	7	8	8	15	8	9	9	17	9	9	9	19	9
36	Head and Sill	3	3	5	3	3	3	5	3	3	3	5	3	3	3	5	3	3	3	5	3	3	3	5	3	3	3	5	3	3	3	5	3
	Jamb	3	3	5	3	4	4	8	4	5	5	11	5	6	6	14	6	7	7	18	7	8	8	21	8	9	9	24	9	9	10	27	10
48	Head and Sill	4	4	8	4	4	4	9	4	4	4	9	4	4	4	9	4	4	4	9	4	4	4	9	4	4	4	9	4	4	4	9	4
	Jamb	3	3	5	3	4	4	9	4	5	5	13	5	6	6	17	6	7	8	21	8	8	9	25	9	9	11	29	11	10	12	34	12
60	Head and Sill	5	5	11	5	5	5	13	5	5	5	13	5	5	5	13	5	5	5	13	5	5	5	13	5	5	5	13	5	5	5	13	5
	Jamb	3	3	5	3	4	4	9	4	5	5	13	5	6	7	19	7	7	9	24	9	9	11	29	11	9	11	29	11	9	11	29	11
72	Head and Sill	6	6	14	6	6	6	17	6	6	6	19	6	6	6	19	6	6	6	19	6	6	6	19	6	6	6	19	6	6	6	19	6
	Jamb	3	3	5	3	4	4	9	4	5	5	13	5	6	7	19	7	8	9	25	9	9	9	25	9	9	9	25	9	9	9	25	9
84	Head and Sill	7	7	18	7	7	7	21	7	7	7	24	7	8	7	25	8	8	7	26	8	8	7	26	8	8	7	26	8	8	7	26	8
	Jamb	3	3	5	3	4	4	9	4	5	5	13	5	6	7	19	7	8	9	26	9	9	9	26	9	9	9	26	9	9	9	26	9
96	Head and Sill	8	8	21	8	8	8	25	8	9	8	29	9	9	8	34	10	9	8	34	10	9	8	34	10	9	8	34	10	9	8	34	10
	Jamb	3	3	5	3	4	4	9	4	5	5	13	5	6	7	19	7	8	9	26	9	9	9	26	9	9	9	26	9	9	9	26	9
108	Head and Sill	9	9	24	9	9	9	29	9	10	9	34	10	9	8	34	10	9	8	34	10	9	8	34	10	9	8	34	10	9	8	34	10
	Jamb	3	3	5	3	4	4	9	4	5	5	13	5	6	7	19	7	8	9	26	9	9	9	26	9	9	9	26	9	9	9	26	9
120	Head and Sill	9	9	27	9	10	9	34	10	9	8	34	10	9	8	34	10	9	8	34	10	9	8	34	10	9	8	34	10	9	8	34	10
	Jamb	3	3	5	3	4	4	9	4	5	5	13	5	6	7	19	7	8	9	26	9	9	9	26	9	9	9	26	9	9	9	26	9

**NOTE:**  
SUITABLE FOR LARGE AND SMALL MISSILE APPLICATIONS

- NOTES:**
1. TO BE USED IN CONJUNCTION WITH INSTALLATION DRAWINGS AND NOTES OF SHEET 3 OF 7.
  2. ALL SIZES ARE LIMITED TO 40 SQUARE FEET.
  3. INTERPOLATION BETWEEN VALUES ALLOWED - ALWAYS ROUND UP.
  4. MAXIMUM ANCHOR SPACING:  
6" FROM THE CORNER  
13.5" BETWEEN ANCHORS

**PRODUCT RENEWED**  
as complying with the Florida Building Code  
Acceptance No. 12-0516.05  
Expiration Date AUG. 16, 2017  
By Maurel Perez  
Miami Dade Product Control

**PRODUCT REVISED**  
as complying with the Florida Building Code  
Acceptance No. 11-1114.16  
Expiration Date 02/16/2012  
By [Signature]  
Miami Dade Product Control



KEY TABLE

Anchor Type	Anchor Type	Anchor Location	Substrate	Requires Anchor Plate	Min. O.C. Distance	Min. Edge Distance	Min. Embedment
1	off-the-shelf #14, steel screw (G5)	Head & Sill	Wood	Yes	2	1	1.375
		Jamb	Wood	Yes	2	1	1.375
2	Elco 1/4" steel Ultracon	Head & Sill	Concrete	Yes	4	1	1.375
		Jamb	CMU or Concrete	Yes	4	1	1.25
3	Elco 5/16" steel Ultracon	Head & Sill	Concrete	No	5	1.75	1
		Jamb	CMU or Concrete	No	5	1.75	1.25
4	Elco 5/16" steel Ultracon	Head & Sill	Concrete	Yes	5	1.75	1
		Jamb	CMU or Concrete	Yes	5	1.75	1.25

Revised By: JR	Date: 05/25/09	Revisions: A	A. Added 40 ft² rule & updated format.
Revised By: J.J.	Date: 11/19/11	Revisions: B	NO CHANGE THIS SHEET
Revised By:	Date:	Revisions:	
Drawn By: J.R.	Date: 12/05/07	Checked By:	Date:

1070 TECHNOLOGY DRIVE  
NOKOMIS, FL 34276  
P.O. BOX 1529  
NOKOMIS, FL 34274



Description: ANCHORAGE PER 130 DP			
Title: ALUMINUM PICTURE WINDOW, LMI			
Series/Model: PW3020	Scale: N/A	Sheet: 4 of 7	Drawing No: 3020-3
			Rev: B

