



MIAMI-DADE COUNTY
 DEPARTMENT OF PERMITTING, ENVIRONMENT, AND REGULATORY
 AFFAIRS (PERA)
 BOARD AND CODE ADMINISTRATION DIVISION

MIAMI-DADE COUNTY, FLORIDA
PRODUCT CONTROL SECTION
 11805 SW 26 Street, Room 208
 Miami, Florida 33175-2474
 T (786) 315-2590 F (786) 315-2599

NOTICE OF ACCEPTANCE (NOA)

www.miamidade.gov/pera/

PGT Industries
 1070 Technology Drive
 Nokomis, FL 34275

SCOPE:

This NOA is being issued under the applicable rules and regulations governing the use of construction materials. The documentation submitted has been reviewed and accepted by Miami-Dade County PERA-Product Control Section to be used in Miami-Dade County and other areas where allowed by the Authority Having Jurisdiction (AHJ).

This NOA shall not be valid after the expiration date stated below. The Miami-Dade County Product Control Section (In Miami-Dade County) and/or the AHJ (in areas other than Miami-Dade County) reserve the right to have this product or material tested for quality assurance purposes. If this product or material fails to perform in the accepted manner, the manufacturer will incur the expense of such testing and the AHJ may immediately revoke, modify, or suspend the use of such product or material within their jurisdiction. PERA reserves the right to revoke this acceptance, if it is determined by Miami-Dade County Product Control Section that this product or material fails to meet the requirements of the applicable building code.

This product is approved as described herein, and has been designed to comply with the Florida Building Code, including the High Velocity Hurricane Zone.

DESCRIPTION: Series "820" Aluminum Fixed Window - L.M.I.

APPROVAL DOCUMENT: Drawing No. 4246-6 titled "Mid-Rise Alum. Picture Window (Lg. Missile)", sheets 1 through 6 of 6, prepared by manufacturer, dated 4/16/03 with revision "B" dated 11/18/11, signed and sealed by Anthony Lynn Miller, P. E., bearing the Miami-Dade County Product Control Revision stamp with the Notice of Acceptance number and Expiration date by the Miami-Dade County Product Control Section.

MISSILE IMPACT RATING: Large and Small Missile Impact Resistant.

LABELING: Each unit shall bear a permanent label with the manufacturer's name or logo, city, state, model/ series and following statement: "Miami-Dade County Product Control Approved" unless otherwise noted herein.

RENEWAL of this NOA shall be considered after a renewal application has been filed and there has been no change in the applicable building code negatively affecting the performance of this product.

TERMINATION of this NOA will occur after the expiration date or if there has been a revision or change in the materials, use, and/or manufacture of the product or process. Misuse of this NOA as an endorsement of any product, for sales, advertising or any other purposes shall automatically terminate this NOA. Failure to comply with any section of this NOA shall be cause for termination and removal of NOA.

ADVERTISEMENT: The NOA number preceded by the words Miami-Dade County, Florida, and followed by the expiration date may be displayed in advertising literature. If any portion of the NOA is displayed, then it shall be done in its entirety.

INSPECTION: A copy of this entire NOA shall be provided to the user by the manufacturer or its distributors and shall be available for inspection at the job site at the request of the Building Official.

This NOA revises NOA No. 08-0429.08 and consists of this page 1, evidence pages E-1 and E-2, as well as approval document mentioned above.

The submitted documentation was reviewed by **Jaime D. Gascon, P. E.**



J. Gascon
 1/24/12

NOA No. 11-1110.14
 Expiration Date: July 24, 2013
 Approval Date: February 02, 2012
 Page 1

NOTICE OF ACCEPTANCE: EVIDENCE SUBMITTED

A. DRAWINGS

1. Manufacturer's die drawings and sections.
(Submitted under previous NOA No. 03-0508.03)
2. Drawing No. **4246-6** titled "Mid-Rise Alum. Picture Window (Lg. Missile)", sheets 1 through 6 of 6, prepared by manufacturer, dated 4/16/03 with revision "B" dated 11/18/11, signed and sealed by Anthony Lynn Miller, P. E.

B. TESTS

1. Test reports on: 1) Uniform Static Air Pressure Test, Loading per FBC TAS 202-94
2) Large Missile Impact Test per FBC, TAS 201-94
3) Cyclic Wind Pressure Loading per FBC, TAS 203-94
along with marked-up drawings and installation diagram of aluminum clad wood fixed casement window, prepared by Fenestration Testing Laboratory, Inc., Test Reports No.'s **FTL-3767, FTL-3765, FTL-3537 and FTL-3539**, dated 08/09/02 and 04/01/03, all signed and sealed by Joseph Chan, P. E.
(Submitted under previous NOA No. 03-0508.03)

C. CALCULATIONS

1. Anchor verification calculations and structural analysis, dated 04/16/07 complying with FBC, prepared by manufacture, signed and sealed by Robert L. Clark, P. E.
(Submitted under previous NOA No. 08-0429.08)
2. **Glazing complies with ASTM E1300-98/ 04**

D. QUALITY ASSURANCE

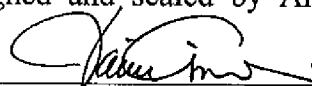
1. Miami-Dade Department of Permitting, Environment, and Regulatory Affairs (PERA)

E. MATERIAL CERTIFICATIONS

1. Notice of Acceptance No. **11-0624.02** issued to **E. I. DuPont DeNemours & Co., Inc.** for their "**DuPont SentryGlas® Interlayer**" dated 08/25/11, expiring on 01/14/17.
2. Notice of Acceptance No. **11-0624.01** issued to **E. I. DuPont DeNemours & Co., Inc.** for their "**DuPont Butacite® PVB Interlayer**" dated 09/08/11, expiring on 12/11/16.

F. STATEMENTS

1. Statement letter of conformance and compliance with the FBC-2007 (with the 2009 supplement) and FBC-2010, dated 10/29/11, signed and sealed by Anthony Lynn Miller, P. E.
2. Statement letter of no financial interest and independence, dated 10/29/11, signed and sealed by Anthony Lynn Miller, P. E.
3. Letter of *Adoption of as his Own, the Work of another Engineer* per Section 61G15-27.001 of the F.B.P.E., dated 10/07/11 signed and sealed by Anthony Lynn Miller, P. E.



Jaime D. Gascon, P. E.
Product Control Section Supervisor
NOA No. 11-1110.14

Expiration Date: July 24, 2013
Approval Date: February 02, 2012

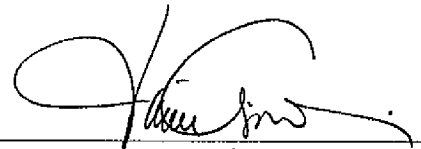
NOTICE OF ACCEPTANCE: EVIDENCE SUBMITTED

F. STATEMENTS

4. Statement letter of conformance and compliance with the Florida Building Code, dated 04/24/08, signed and sealed by Robert L. Clark, P. E.
(Submitted under previous NOA No. 08-0130.03)
5. Statement letter of no financial interest and independence, dated 04/24/08, signed and sealed by Robert L. Clark, P. E.
(Submitted under previous NOA No. 08-0130.03)
6. Laboratory compliance letter for Test Reports No.'s **FTL-3765**, **FTL-3537** and **FTL-3539**, issued by Fenestration Testing Laboratory, Inc., dated 08/26/02 and 04/28/03, signed and sealed by Joseph Chan, P. E.
(Submitted under previous NOA No. 03-0508.03)

G. OTHERS

1. Notice of Acceptance No. **08-0429.08**, issued to PGT Industries for their Series "820 Aluminum Fixed Window - L.M.I." approved on 06/26/08 and expiring on 07/24/13.



Jaime D. Gascon, P. E.
Product Control Section Supervisor
NOA No. 11-1110.14
Expiration Date: July 24, 2013
Approval Date: February 02, 2012

LARGE MISSILE IMPACT EQUAL LEG PICTURE WINDOW

- GLAZING OPTIONS:**
 - 9/16" LAMINATED GLASS CONSISTING OF (2) LITES OF 1/4" HEAT STRENGTHENED GLASS WITH A .090 INTERLAYER OF DUPONT SENTRY GLASS PLUS (SGP).
 - 7/16" LAMINATED GLASS CONSISTING OF (2) LITES OF 3/16" HEAT STRENGTHENED GLASS WITH A .090 PVB INTERLAYER OF DUPONT BUTACITE PVB OR SAFLEX/KEEPSAFE MAXIMUM.

2. **DESIGN PRESSURE RATING:** SEE TABLE 1

- NEGATIVE DESIGN LOADS BASED ON TESTED PRESSURE AND GLASS TABLE ASTM E 1300-02.
- POSITIVE DESIGN LOADS BASED ON WATER TEST PRESSURE AND GLASS TABLE ASTM E 1300-02.

3. **ANCHORAGE:** THE 33 1/3% STRESS INCREASE HAS NOT BEEN USED IN THE DESIGN OF THIS PRODUCT. MATERIALS, INCLUDING BUT NOT LIMITED TO STEEL SCREWS, THAT COME INTO CONTACT WITH OTHER DISSIMILAR MATERIALS SHALL MEET THE REQUIREMENTS OF THE FLORIDA BUILDING CODE.

ANCHOR TYPES:

- #12 STEEL (G5) SCREW,
- 1/4" ELCO TAPCON,
- 1/4" ELCO SS4 CRETE-FLEX

6" MAX. FROM CORNERS AND MAX. O.C. SPACING FROM TABLE 1. SEE SHEET 6 FOR ADDITIONAL ANCHORAGE INFORMATION.

4. **SHUTTER REQUIREMENT:** SHUTTERS ARE NOT REQUIRED.

5. NARROW JOINT SEALANT IS USED ON ALL FOUR CORNERS OF THE FRAME AND ON THE OUTSIDE OF FRAME TO SEAL EXPOSED SCREWS.

6. MAXIMUM WINDOW AREA NOT TO EXCEED 32 SQ. FT. (DLO = 27.88 SQ. FT.) AND DIMENSIONS OF 48" BY 96".

7. **REFERENCES:** TEST REPORTS, FTL-3537, FTL-3539, FTL-3765 AND FTL-3767
 ELCO TEXTRON NOA: 04-0721.01, 03-0225.05
 ANSI/AF&PA NDS-2005 FOR WOOD CONSTRUCTION
 ADM-2005 ALUMINUM DESIGN MANUAL

8. THIS PRODUCT HAS BEEN DESIGNED AND TESTED TO COMPLY WITH THE REQUIREMENTS OF THE FLORIDA BUILDING CODE, INCLUDING THE HIGH VELOCITY HURRICANE ZONE (HVHZ).

TABLE 1.

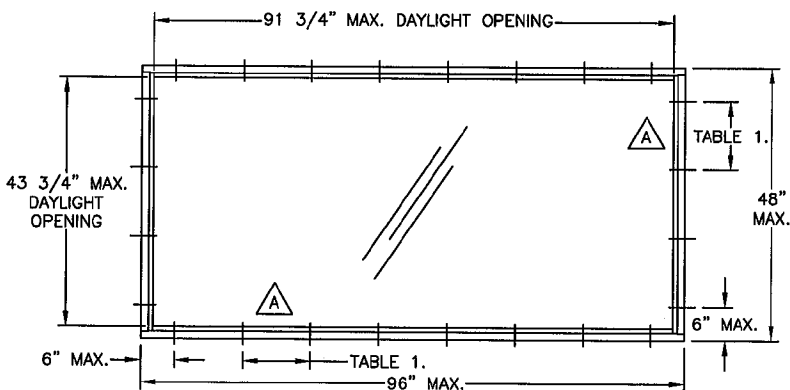
GLASS TYPES: A. 9/16" LAMI (1/4"H,SGP,1/4"H)

DP	+90.0	-110.0
----	-------	--------

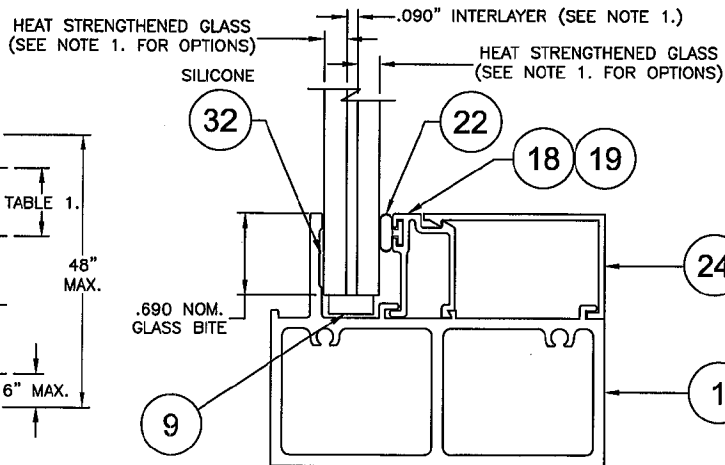
B. 7/16" LAMI (3/16"H,PVB,3/16"H)

DP	+65.0	80.0
----	-------	------

SUBSTRATE:	ANCHOR MAX ON-CENTER DIMENSION			
	WOOD		CONCRETE	
ANCHOR TYPE:	1	3	2	3
O.C. DIM.	10 1/2 "	12"	12"	12"

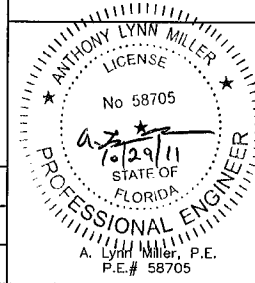


ELEVATION



GLAZING DETAIL

PRODUCT REVISED as complying with the Florida Building Code Acceptance No. 11-1119-14 Expiration Date: 07/29/2013
 By: *[Signature]*
 Miami Dade Product Control

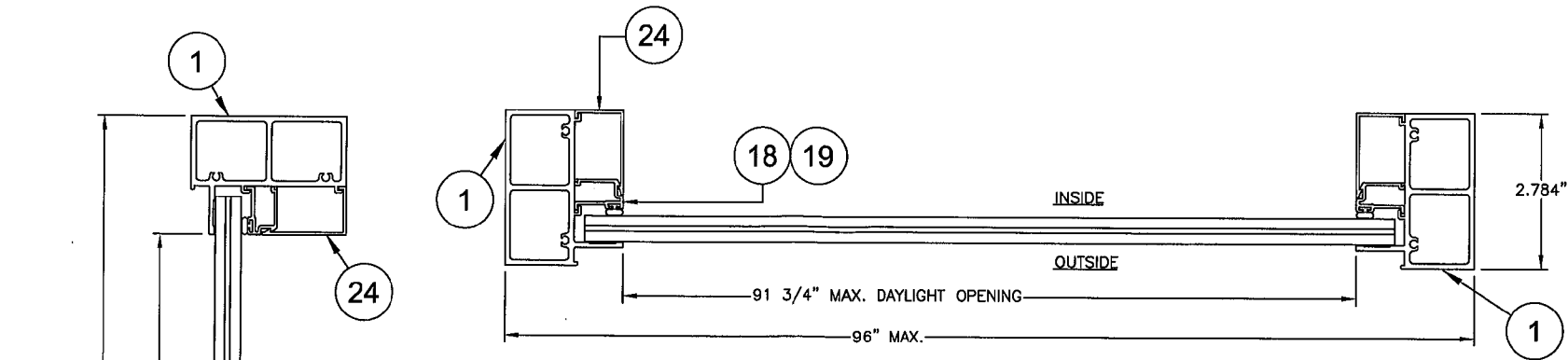


Revised By:	Date:	Revisions:	
J.J.	11/18/11	B	2010 FBC UPDATE AND REDUCED DP FOR GLASS TYPE B
F.K.	4/13/07	A	UPDATE NOTES AND REVISE ANCHORAGE
Drawn By:	Date:	Checked By:	Date:
F.K.	4/16/03		

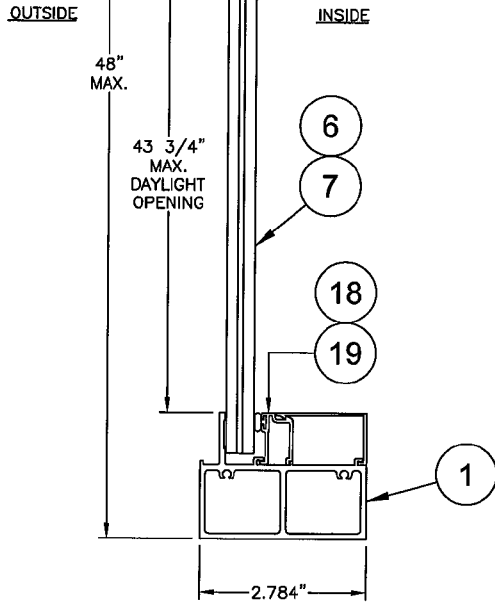
1070 TECHNOLOGY DRIVE
 NOKOMIS, FL 34275
 P.O. BOX 1629
 NOKOMIS, FL 34274



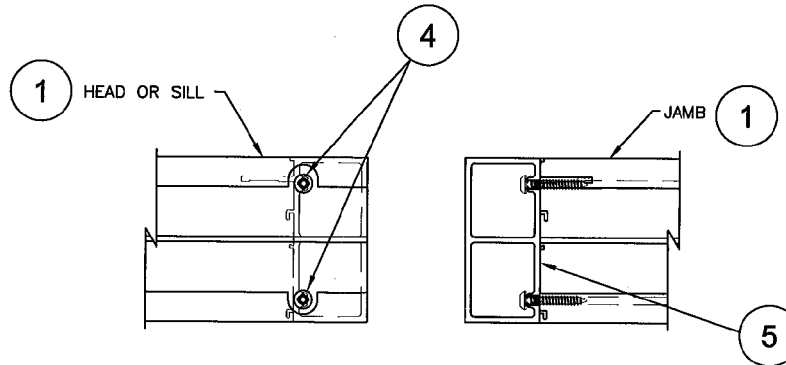
Description:	ELEVATION, GLAZING & NOTES (EQUAL LEG)			
Title:	MID-RISE ALUM. PICTURE WINDOW (L.G. MISSILE)			
Series/Model:	Scale:	Sheet:	Drawing No.:	Rev.:
PW-820	NTS	1 of 6	4246-6	B



HORIZONTAL SECTION

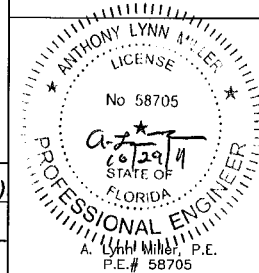


VERTICAL SECTION



CORNER CONSTRUCTION DETAIL

PRODUCT REVISED
 as complying with the Florida
 Building Code
 Acceptance No. 11-110.14
 Expiration Date 07/24/2013
 By *[Signature]*
 Miami Dade Product Control



Revised By:	Date:	Revisions:
J.J.	11/18/11	B NO CHANGE THIS SHEET
F.K.	4/13/07	A NO CHANGE THIS SHEET
Drawn By:	Date:	Checked By:
F.K.	4/18/03	

1070 TECHNOLOGY DRIVE
 NOKOMIS, FL 34275
 P.O. BOX 1529
 NOKOMIS, FL 34274



Description:			
SECTIONS & CORNER ASSEMBLY (EQUAL LEG)			
Title:			
MID-RISE ALUM. PICTURE WINDOW (L.G. MISSILE)			
Series/Model:	Scale:	Sheet:	Drawing No.
PW-820	NTS	2 of 6	4246-6
			Rev: B

LARGE MISSILE IMPACT FLANGED PICTURE WINDOW

- GLAZING OPTIONS:**
 - 9/16" LAMINATED GLASS CONSISTING OF (2) LITES OF 1/4" HEAT STRENGTHENED GLASS WITH A .090 INTERLAYER OF DUPONT SENTRY GLASS PLUS (SGP).
 - 7/16" LAMINATED GLASS CONSISTING OF (2) LITES OF 3/16" HEAT STRENGTHENED GLASS WITH A .090 PVB INTERLAYER OF DUPONT BUTACITE PVB OR SAFLEX/KEEPSAFE MAXIMUM.

2. DESIGN PRESSURE RATING: SEE TABLE 2

- NEGATIVE DESIGN LOADS BASED ON TESTED PRESSURE AND GLASS TABLE ASTM E 1300-02.
- POSITIVE DESIGN LOADS BASED ON WATER TEST PRESSURE AND GLASS TABLE ASTM E 1300-02.

- ANCHORAGE:** THE 33 1/3% STRESS INCREASE HAS NOT BEEN USED IN THE DESIGN OF THIS PRODUCT. MATERIALS, INCLUDING BUT NOT LIMITED TO STEEL SCREWS, THAT COME INTO CONTACT WITH OTHER DISSIMILAR MATERIALS SHALL MEET THE REQUIREMENTS OF THE FLORIDA BUILDING CODE, CURRENT EDITION.

ANCHOR TYPES:

- #12 STEEL (G5) SCREW,
- 1/4" ELCO TAPCON,
- 1/4" ELCO SS4 CRETE-FLEX

6 1/2" MAX. FROM CORNERS AND MAX. O.C. SPACING FROM TABLE 2. SEE SHEET 6 FOR ADDITIONAL ANCHORAGE INFORMATION.

- SHUTTER REQUIREMENT:** SHUTTERS ARE NOT REQUIRED.

- NARROW JOINT SEALANT IS USED ON ALL FOUR CORNERS OF THE FRAME AND ON THE OUTSIDE OF FRAME TO SEAL EXPOSED SCREWS.

- MAXIMUM WINDOW AREA NOT TO EXCEED 33 SQ. FT. (DLO = 27.88 SQ. FT.) AND TIP-TO-TIP DIMENSIONS OF 49" BY 97".

- REFERENCES:** TEST REPORTS, FTL-3537, FTL-3539 AND FTL-3767
ELCO TEXTRON NOA: 04-0721.01, 03-0225.05
ANSI/AF&PA NDS-2005 FOR WOOD CONSTRUCTION
ADM-2005 ALUMINUM DESIGN MANUAL

- THIS PRODUCT HAS BEEN DESIGNED AND TESTED TO COMPLY WITH THE REQUIREMENTS OF THE FLORIDA BUILDING CODE, INCLUDING THE HIGH VELOCITY HURRICANE ZONE (HVHZ).

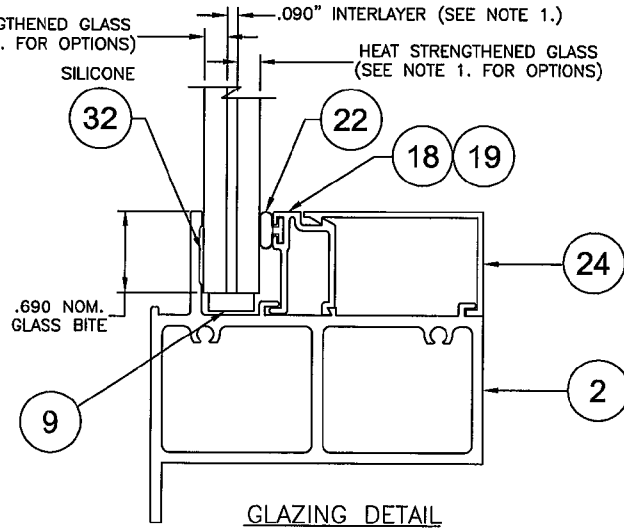
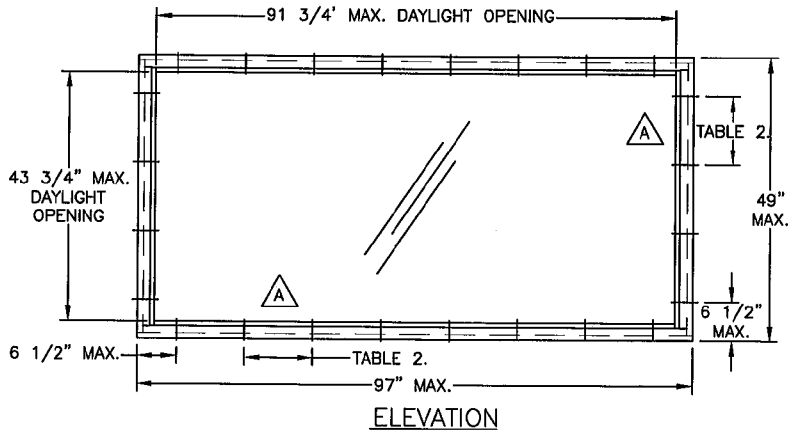
TABLE 2.

GLASS TYPES:

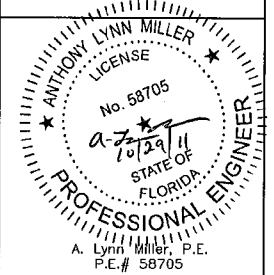
A. 9/16" LAMI (1/4"H,SGP,1/4"H)	
DP	+90.0 -110.0
B. 7/16" LAMI (3/16"H,PVB,3/16"H)	
DP	+65.0 80.0

ANCHOR MAX ON-CENTER DIMENSION

ANCHOR TYPE:	WOOD		CONCRETE	
	1	3	2	3
O.C. DIM.	10 1/2"	12"	12"	12"



PRODUCT REVISED as complying with the Florida Building Code
 Acceptance No. 11-1110.14
 Expiration Date: 07/29/11
 By: *[Signature]*
 Miami Dade Product Control

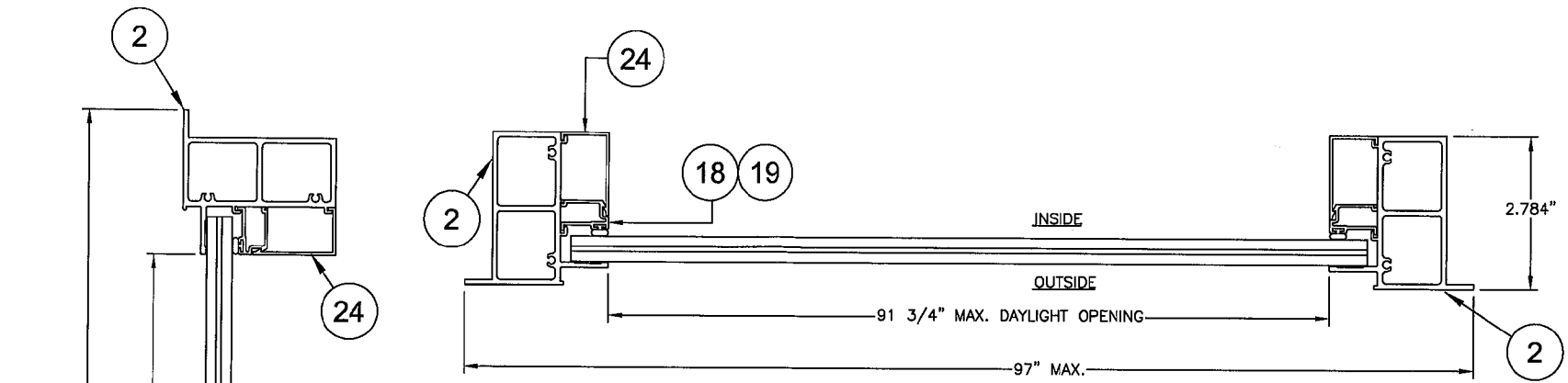


Revised By:	Date:	Revisions:
J.J.	11/18/11	Revision: B 2010 FBC UPDATE AND REDUCED DP FOR GLASS TYPE B
F.K.	4/13/07	Revision: A UPDATE NOTES AND REVISE ANCHORAGE
Drawn By:	Date:	Checked By:
F.K.	4/16/03	

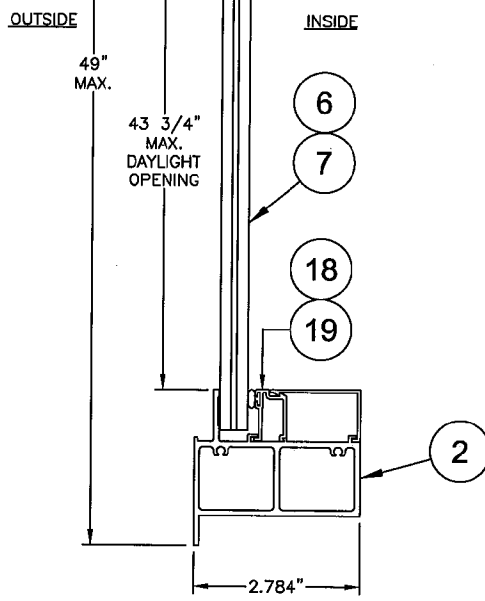
1070 TECHNOLOGY DRIVE
 NOKOMIS, FL 34275
 P.O. BOX 1629
 NOKOMIS, FL 34274



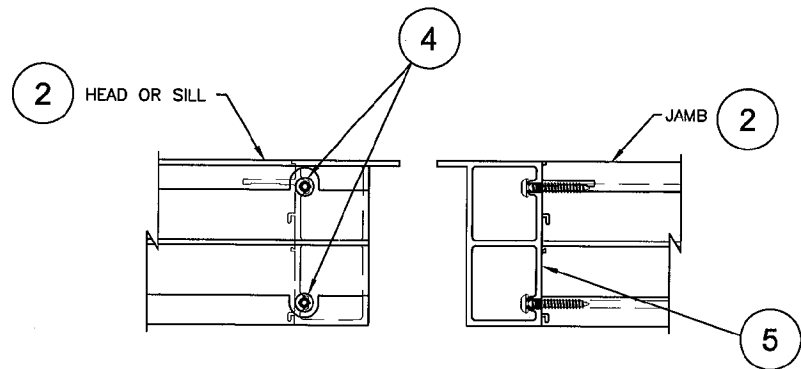
Description: ELEVATION, GLAZING & NOTES (FLANGED)			
Title:	MID-RISE ALUM. PICTURE WINDOW (L.G. MISSILE)		
Series/Model:	Scale:	Sheet:	Drawing No.
PW-820	NTS	3 of 6	4246-6
Rev:	B		



HORIZONTAL SECTION

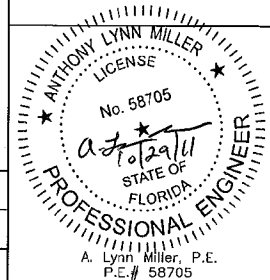


VERTICAL SECTION



CORNER CONSTRUCTION DETAIL

PRODUCT REVISED
 as complying with the Florida
 Building Code
 Acceptance No. 1-110.14
 Expiration Date 03/24/2013
 By: *[Signature]*
 Miami Dade Product Control



Revised By:	Date:	Revisions:	
J.J.	11/18/11	B	NO CHANGE THIS SHEET
F.K.	4/13/07	A	NO CHANGE THIS SHEET
Drawn By:	Date:	Checked By:	Date:
F.K.	4/18/03		

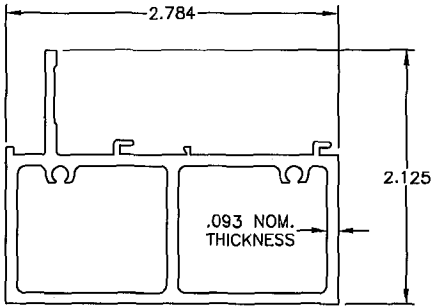
1070 TECHNOLOGY DRIVE
 NOKOMIS, FL 34275
 P.O. BOX 1629
 NOKOMIS, FL 34274



Description: SECTIONS & CORNER ASSEMBLY (FLANGED)			
Title: MID-RISE ALUM. PICTURE WINDOW (L.G. MISSILE)			
Series/Model:	Scale:	Sheet:	Drawing No.
PW-820	NTS	4 of 6	4246-6

Rev: B

A. Lynn Miller, P.E.
 P.E.# 58705



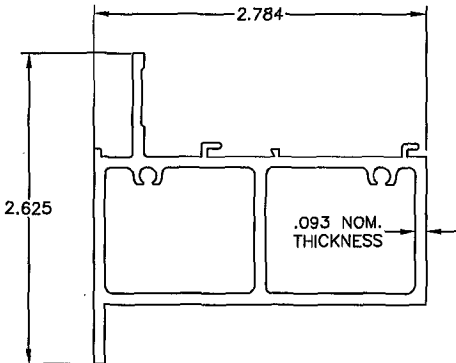
INSIDE MOUNT EQUAL

LEG FRAME

1

MAT'L: 6063-T5
DWG #4238B

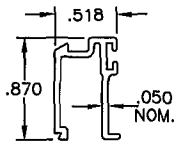
ITEM	DWG #	PGT. #	DESCRIPTION
1	4238B	64238	FRAME, INSIDE MOUNT EQUAL LEG
2	4239B	64239	FRAME, INSIDE MOUNT FLANGED
4	1155	781PQX	#8 X 1 QUAD PN SMS STAINLESS STEEL
5			SCHNEE-MOREHEAD SM5504 ACRYL-R NARROW JOINT SEALANT
6		9/16 LAMINATED	GLASS - 1/4" HEAT STRENGTHENED
		INTERLAYER:	DUPONT SENTRY GLASS PLUS
7		7/16 LAMINATED	GLASS - 3/16 TEMPERED, .090 INNER LAYER, 3/16" TEMPERED
		INTERLAYER:	DUPONT BUTACITE PVB
		OPTIONS:	SAFLEX/KEEPSAFE MAXIMUM
9	1265-4	712654K	SETTING BLOCK - 5/32" X 3/8" X 2" LONG
18	4251	64251	7/16 GLAZING BEAD
19	4252	64252	9/16 GLAZING BEAD
22	1224	6TP247	VINYL BULB WEATHERSTRIP (THICK)
24	4247	64247	TRIM COVER
32		SILICONE	DOW CORNING 899, 995 OR EQUIVALENT



INSIDE MOUNT FLANGED

2

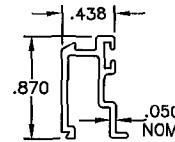
MAT'L: 6063-T5
DWG #4239B



7/16 GLAZING BEAD

18

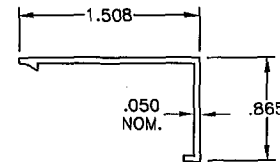
MAT'L: 6063-T5
DWG #4251



9/16 GLAZING BEAD

19

MAT'L: 6063-T5
DWG #4252

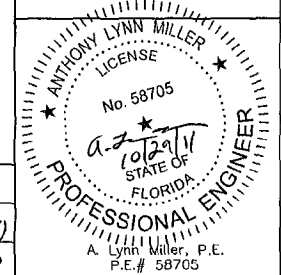


TRIM COVER

24

MAT'L: 6063-T5
DWG #4247

PRODUCT REVISED
as complying with the Florida
Building Code 11-110.14
Acceptance No. 5-12912013
Expiration Date 5-12-2013
By: *[Signature]*
Miami Dade Product Control

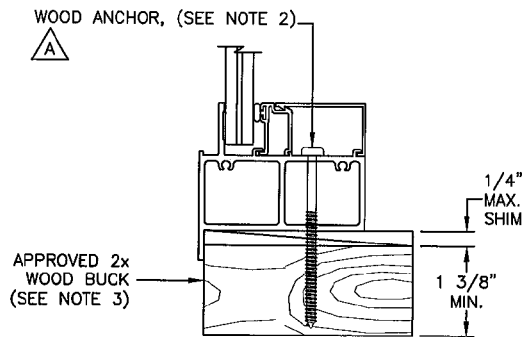


Revised By:	Date:	Revisions:
J.J.	11/18/11	B NO CHANGE THIS SHEET
F.K.	4/13/07	A NO CHANGE THIS SHEET
F.K.	4/16/03	Checked By: Date:

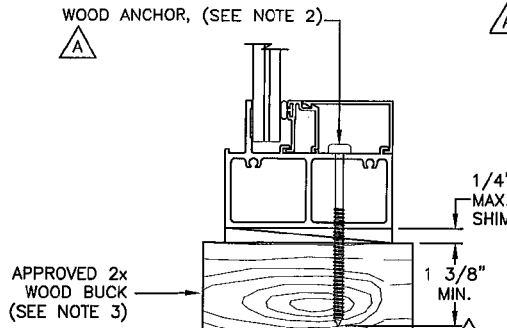
1070 TECHNOLOGY DRIVE
NOKOMIS, FL 34275
P.O. BOX 1529
NOKOMIS, FL 34274



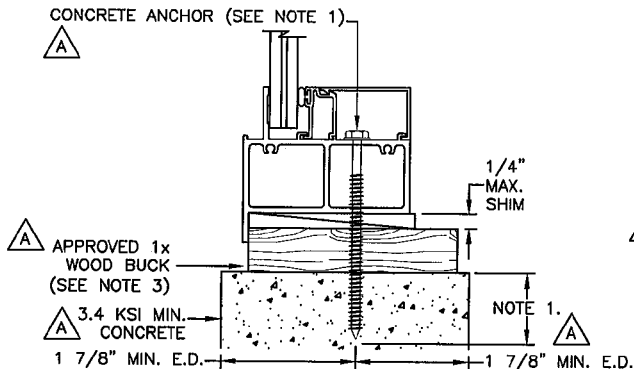
Description:			
EXTRUSIONS & PARTS LIST			
Title: MID-RISE ALUM. PICTURE WINDOW (L.G. MISSILE)			
Series/Model:	Scale:	Sheet:	Drawing No.
PW-820	NTS	5 of 6	4246-6
Rev:	B		



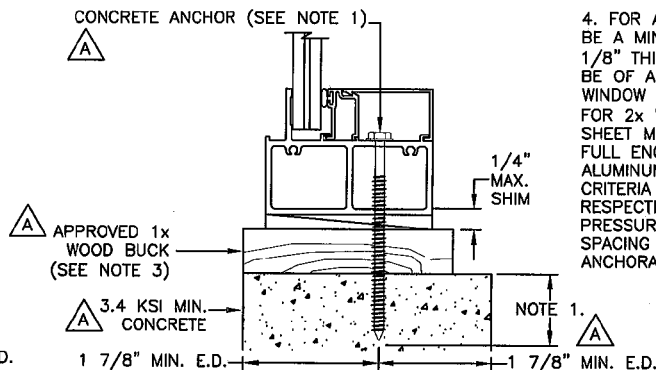
FLANGED TO WOOD



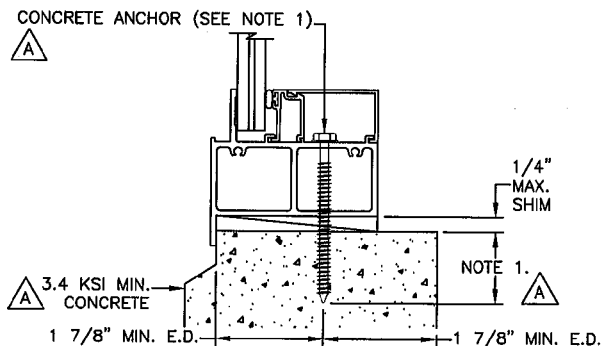
EQUAL LEG TO WOOD



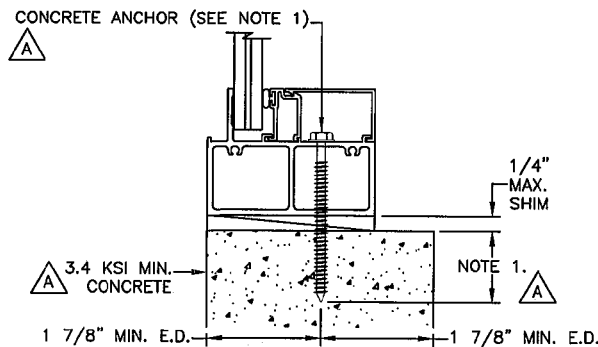
FLANGED TO CONCRETE W/ WOOD BUCK



EQUAL LEG TO CONCRETE W/ WOOD BUCK



FLANGED TO CONCRETE

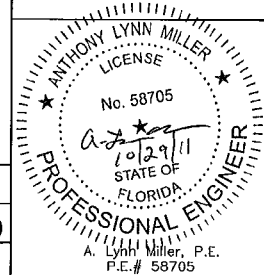


EQUAL LEG TO CONCRETE

NOTES:

1. FOR CONCRETE APPLICATIONS IN MIAMI-DADE COUNTY, USE ONLY MIAMI-DADE COUNTY APPROVED ELCO 1/4" TAPCONS EMBEDDED 1 3/8" OR 1/4" SS4 CRETE-FLEX EMBEDDED 1 3/4". MINIMUM DISTANCE FROM ANCHOR TO CONCRETE EDGE IS 1 7/8".
2. FOR WOOD APPLICATIONS IN MIAMI-DADE COUNTY, USE #12 SCREWS OR 1/4" ELCO SS4 CRETE-FLEX.
3. WOOD BUCKS DEPICTED IN THE SECTIONS ON THIS PAGE AS 1x ARE BUCKS WHOSE TOTAL THICKNESS IS LESS THAN 1 1/2". 1x WOOD BUCKS ARE OPTIONAL IF UNIT CAN BE INSTALLED DIRECTLY TO SOLID CONCRETE. WOOD BUCKS DEPICTED AS 2x ARE 1 1/2" THICK OR GREATER. INSTALLATION TO THE SUBSTRATE OF WOOD BUCKS TO BE ENGINEERED BY OTHERS OR AS APPROVED BY AUTHORITY HAVING JURISDICTION.
4. FOR ATTACHMENT TO ALUMINUM: THE MATERIAL SHALL BE A MINIMUM STRENGTH OF 6063-T5 AND A MINIMUM OF 1/8" THICK. THE ALUMINUM STRUCTURAL MEMBER SHALL BE OF A SIZE TO PROVIDE FULL SUPPORT TO THE WINDOW FRAME SIMILAR TO THAT SHOWN IN THESE DETAILS FOR 2x WOOD BUCKS. THE ANCHOR SHALL BE A #12 SHEET METAL SCREW WITH FULL ENGAGEMENT INTO THE ALUMINUM. IF THESE CRITERIA ARE MET, THE RESPECTIVE DESIGN PRESSURES AND ANCHORAGE SPACING FOR CONCRETE ANCHORAGE MAY BE USED.

PRODUCT REVISED
 as complying with the Florida
 Building Code
 Acceptance No. 11-110,14
 Expiration Date 09/24/2013
 by *[Signature]*
 Miami Dade Product Control



Revised By:	Date:	Revisions:
J.J.	11/18/11	Revisions: B NO CHANGE THIS SHEET
Revised By:	Date:	Revisions: A UPDATE ANCHORAGE DETAILS AND NOTES
F.K.	4/13/07	
Drawn By:	Date:	Checked By:
F.K.	4/16/03	

1070 TECHNOLOGY DRIVE
 NOKOMIS, FL 34275
 P.O. BOX 1529
 NOKOMIS, FL 34274



Description: ANCHORAGE	
Title: MID-RISE ALUM. PICTURE WINDOW (LG. MISSILE)	
Series/Model: PW-620	Scale: NTS
Sheet: 6 of 6	Drawing No. 4246-6
Rev: B	