



DEPARTMENT OF PERMITTING, ENVIRONMENT, AND REGULATORY  
AFFAIRS (PERA)  
BOARD AND CODE ADMINISTRATION DIVISION

MIAMI-DADE COUNTY, FLORIDA  
PRODUCT CONTROL SECTION  
11805 SW 26<sup>th</sup> Street, Room 208  
Miami, Florida 33175-2474  
T (786) 315-2590 F (786) 315-2599

**NOTICE OF ACCEPTANCE (NOA)**

[www.miamidade.gov/pera/](http://www.miamidade.gov/pera/)

**PGT Industries, Inc.**  
**1070 Technology Drive**  
**North Venice, FL 34275**

**SCOPE:**

This NOA is being issued under the applicable rules and regulations governing the use of construction materials. The documentation submitted has been reviewed and accepted by Miami-Dade County PERA -Product Control Section to be used in Miami-Dade County and other areas where allowed by the Authority Having Jurisdiction (AHJ).

This NOA shall not be valid after the expiration date stated below. The Miami-Dade County Product Control Section (In Miami-Dade County) and/ or the AHJ (in areas other than Miami-Dade County) reserve the right to have this product or material tested for quality assurance purposes. If this product or material fails to perform in the accepted manner, the manufacturer will incur the expense of such testing and the AHJ may immediately revoke, modify, or suspend the use of such product or material within their jurisdiction. PERA reserves the right to revoke this acceptance, if it is determined by Miami-Dade County Product Control Section that this product or material fails to meet the requirements of the applicable building code. This product is approved as described herein, and has been designed to comply with the Florida Building Code, including the High Velocity Hurricane Zone.

**DESCRIPTION: Series "CA-640 Aluminum Projected-Out Window - N.I.**

**APPROVAL DOCUMENT:** Drawing No. 7052-8 titled Series "Alum. Projected Window, Non-Impact", sheets 1 through 11 of 11, prepared by manufacturer, dated 02/19/03 with the latest revision "C" dated 10/24/11, prepared by PGT Industries, Inc., signed and sealed by Anthony Lynn Miller, P. E., bearing the Miami-Dade County Product Control Revision stamp with the Notice of Acceptance number and Expiration date by the Miami-Dade County Product Control Section.

**MISSILE IMPACT RATING: None.**

**LABELING:** Each unit shall bear a permanent label with the manufacturer's name or logo, city, state, model/ series and following statement: "Miami-Dade County Product Control Approved" unless otherwise noted herein.

**RENEWAL** of this NOA shall be considered after a renewal application has been filed and there has been no change in the applicable building code negatively affecting the performance of this product.

**TERMINATION** of this NOA will occur after the expiration date or if there has been a revision or change in the materials, use, and/or manufacture of the product or process. Misuse of this NOA as an endorsement of any product, for sales, advertising or any other purposes shall automatically terminate this NOA. Failure to comply with any section of this NOA shall be cause for termination and removal of NOA.

**ADVERTISEMENT:** The NOA number preceded by the words Miami-Dade County, Florida, and followed by the expiration date may be displayed in advertising literature. If any portion of the NOA is displayed, then it shall be done in its entirety.

**INSPECTION:** A copy of this entire NOA shall be provided to the user by the manufacturer or its distributors and shall be available for inspection at the job site at the request of the Building Official.

This NOA revises NOA No. 08-0709.15 and consists of this page 1, evidence pages E-1 and E-2, as well as approval document mentioned above.

The submitted documentation was reviewed by **Jaime D. Gascon, P. E.**



*J. Gascon*  
*2/16/12*

NOA No. 11-1114.21  
Expiration Date: November 20, 2013  
Approval Date: February 16, 2012  
Page 1

**NOTICE OF ACCEPTANCE: EVIDENCE SUBMITTED**

**A. DRAWINGS**

1. Manufacturer's die drawings and sections.  
*(Submitted under NOA No. 03-0612.05)*
2. Drawing No. 7052-8 titled Series "Alum. Projected Window, Non-Impact", sheets 1 through 11 of 11, prepared by manufacturer, dated 02/19/03 with the latest revision "C" dated 10/24/11, prepared by PGT Industries, Inc., signed and sealed by Anthony Lynn Miller, P. E.

**B. TESTS**

1. Test reports on:
  - 1) Air Infiltration Test, per FBC, TAS 202-94
  - 2) Uniform Static Air Pressure Test, Loading per FBC TAS 202-94
  - 3) Water Resistance Test, per FBC, TAS 202-94
  - 4) Large Missile Impact Test per FBC, TAS 201-94
  - 5) Cyclic Wind Pressure Loading per FBC, TAS 203-94
  - 6) Forced Entry Test, per FBC 2411 3.2.1 and TAS 202-94

Along with marked-up drawings and installation diagram of an aluminum fixed window muller to a projected window, prepared by Fenestration Testing Laboratory, Test Reports No.'s **FTL-3724, FTL-3725, FTL-3726, FTL-3727, FTL-3730** and **FTL 3731**, dated 02/28 and 03/04/03, all signed and sealed by Joseph C. Chan, P. E.  
*(Submitted under NOA No. 03-0612.05)*

**C. CALCULATIONS**

1. Anchor verification calculations and structural analysis, complying with FBC, prepared by PGT Industries, Inc., dated 10/18/05, signed and sealed by Lucas A. Turner, P. E.  
*(Submitted under previous NOA No. 08-0709.15)*
2. **Complies with ASTM E1300-02/ 04**

**D. QUALITY ASSURANCE**

1. Miami-Dade Department of Permitting, Environment, and Regulatory Affairs (PERA)

**E. MATERIAL CERTIFICATIONS**

1. None.



**Jaime D. Gascon, P. E.**  
**Product Control Section Supervisor**  
**NOA No. 11-1114.21**  
**Expiration Date: November 20, 2013**  
**Approval Date: February 16, 2012**

**PGT Industries, Inc.**

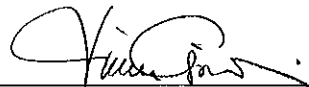
**NOTICE OF ACCEPTANCE: EVIDENCE SUBMITTED**

**F. STATEMENTS**

1. Statement letter of conformance and compliance with the FBC-2007 (with the 2009 supplement) and FBC-2010, dated 10/29/11, signed and sealed by Anthony Lynn Miller, P. E.
2. Statement letter of no financial interest and independence, dated 10/29/11, signed and sealed by Anthony Lynn Miller, P. E.
3. Letter of *Adoption of as his Own, the Work of another Engineer* per Section 61G15-27.001 of the F.B.P.E., dated 10/07/11 signed and sealed by Anthony Lynn Miller, P. E.
4. Statement letter from original engineer stating that there are no changes to the product and that it conforms to the FBC, dated 06/26/08, signed and sealed by Lucas A. Turner, P. E.  
*(Submitted under previous NOA No. 08-0709.15)*
5. Statement letters of no financial interest, independence, conformance and compliance with the FBC, dated 06/10/03, signed and sealed by Luis R. Lomas, P. E.  
*(Submitted under previous NOA No. 08-0709.15)*
6. Laboratory compliance letters for Test Reports No.'s **FTL-3724, FTL-3725, FTL-3726, FTL-3727, FTL-3730** and **FTL 3731**, issued by Fenestration Testing Laboratory, Inc., dated 02/28 and 03/04/03, all signed and sealed by Joseph C. Chan, P. E.  
*(Submitted under previous NOA No. 03-0612.05)*

**G. OTHERS**

1. Notice of Acceptance No. **08-0709.15**, issued to PGT Industries, Inc. for their Series "640 Aluminum Projected Window - N.I.", approved on 10/16/08 and expiring on 11/20/13.



---

**Jaime D. Gascon, P. E.**  
**Product Control Section Supervisor**  
**NOA No. 11-1114.21**  
**Expiration Date: November 20, 2013**  
**Approval Date: February 16, 2012**

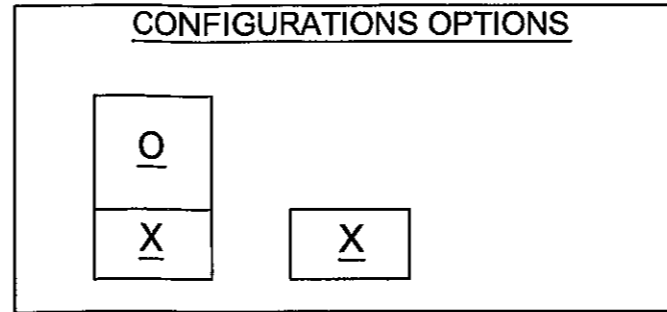
**NOA DRAWING TABLE OF CONTENTS**

	SHEET
NOTES.....	1
GLAZING DETAILS.....	2
ELEVATIONS.....	3
DESIGN PRESSURE TABLES.....	4-7
SECTIONS.....	8
CORNER CONSTRUCTION.....	9
EXTRUSION PROFILES.....	9-10
PARTS LIST.....	10
ANCHORAGE.....	11

**NOTES: NON-IMPACT WINDOWS**

**1. GLAZING OPTIONS:**

- A. 3/16" ANNEALED GLASS
- B. 3/16" TEMPERED GLASS
- C. 1/2" I.G. GLASS (1/8" ANNEALED, 1/4" SPACE, 1/8" ANNEALED)
- D. 1/8" ANNEALED (DSB) GLASS



**2. CONFIGURATIONS:** X. CASEMENT WINDOW MAY ALSO BE USED WITH THE CASEMENT FIXED WINDOW IN OX CONFIGURATION, FOR FIXED WINDOW DETAILS PLEASE SEE SEPERATE MIAMI-DADE COUNTY NOA (PGT DRAWING 7045-11)

**3. DESIGN PRESSURE RATINGS / COMPARATIVE ANALYSIS TABLES:**

- A. NEGATIVE DESIGN LOADS BASED ON TESTED PRESSURE AND GLASS TABLES ASTM E 1300-98.
- B. POSITIVE DESIGN LOADS BASED ON WATER TEST PRESSURE AND GLASS TABLES ASTM E 1300-98.
- C. DESIGN PRESSURES UNDER 40 P.S.F. NOT APPLICABLE IN MIAMI-DADE COUNTY.

**4. ANCHORAGE:** THE 33 1/3% STRESS INCREASE HAS NOT BEEN USED IN THE DESIGN OF THIS PRODUCT. SEE SHEETS 3 AND 12 FOR ADDITIONAL ANCHORAGE INFORMATION.

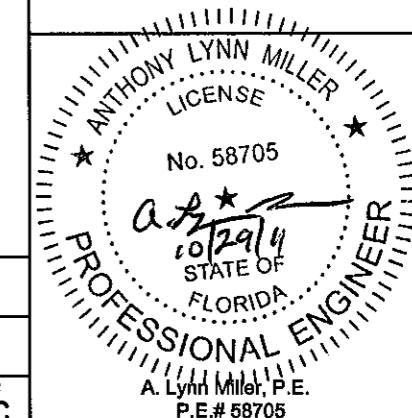
- JAMBS "X":** MAX. 8" FROM CORNERS
- JAMBS "OX":** MAX. 4" FROM "O" CORNERS  
MAX. 13" O.C.  
(2) ANCHORS 3" APART AT MID-SPAN ON FIXED LITE ONLY  
MAX. 4" & 7" ON EACH SIDE OF MEETING RAIL  
MAX. 8" FROM "X" CORNERS

- HEAD & SILL:** MAX. 4" FROM CORNERS  
MAX. 13" SPACING  
(2) ANCHORS 3" APART AT MID-SPAN

SEE SHEET 12 FOR APPROVED ANCHORS. 1/4" TAPCONS OR 1/4" SS4 CRETE-FLEX MAY BE USED IN CONCRETE OR WOOD APPLICATIONS TO ACHIEVE THE DESIGN PRESSURES SHOWN IN SHEETS 4 THROUGH 8. SEE SHEETS 4 THROUGH 8 FOR DESIGN PRESSURE LIMITATIONS WHEN ANCHORING WITH #12 SCREWS.

- 5. MIAMI-DADE COUNTY APPROVED SHUTTERS ARE REQUIRED IN MIAMI-DADE COUNTY AND WHERE IMPACT RESISTANCE IS REQUIRED.
- 6. NARROW JOINT SEALANT IS USED ON ALL FOUR CORNERS OF THE FRAME.
- 7. REFERENCE TEST REPORTS: FTL-3725, FTL-3726, FTL-3730 AND FTL-3731
- 8. THIS PRODUCT HAS BEEN DESIGNED AND TESTED TO COMPLY WITH THE REQUIREMENTS OF THE FLORIDA BUILDING CODE, INCLUDING THE HIGH VELOCITY HURRICANE ZONE (HVHZ).

PRODUCT REVISED  
as complying with the Florida  
Building Code 11-1114.21  
Acceptance No  
Expiration Date 11/20/2013  
By *[Signature]*  
Miami Dade Product Control

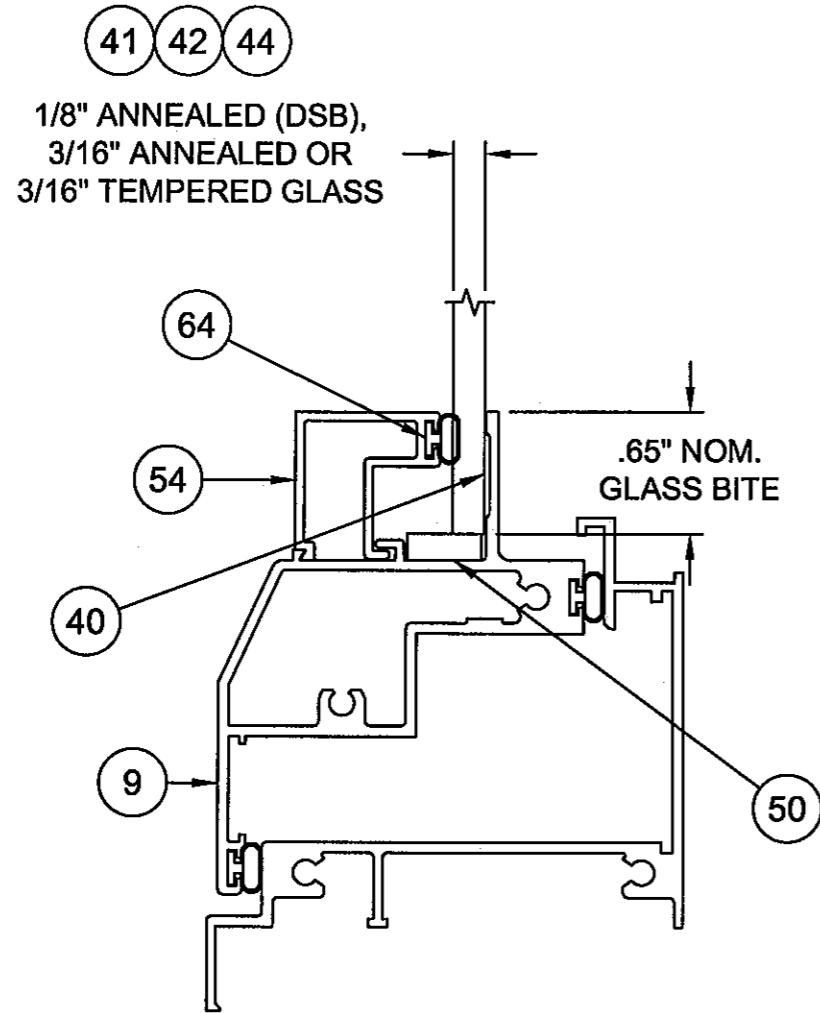


Revsd By:	Date:	Revisions:	
F.K.	10/18/05	A	REVISE DP NOTE 3 AND ANCHORAGE NOTE 4
D.G.	09/02/08	B	CHANGED NOTE 2 AND 4, REMOVED "O" OPTION
J.J.	10/24/11	C	FBC 2010 CODE CHANGE
Drawn By:	Date:	Checked By:	Date:
F.K.	02/19/03		

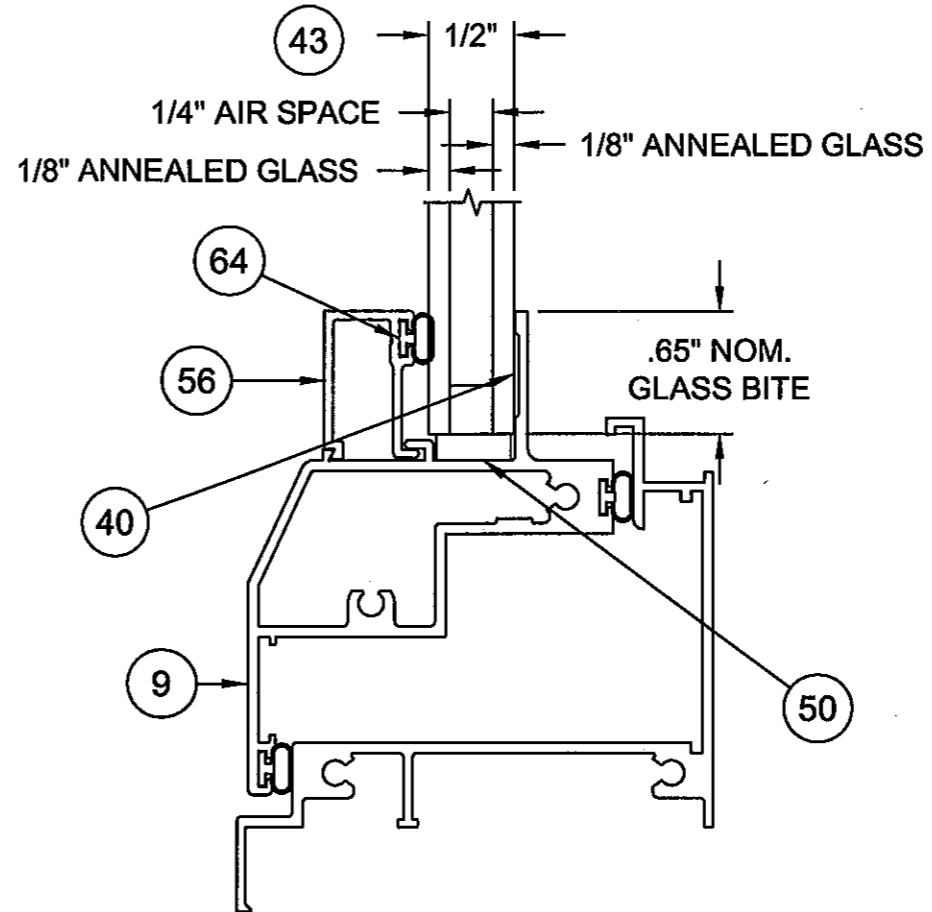
1070 TECHNOLOGY DRIVE  
NOKOMIS, FL 34275  
P.O. BOX 1529  
NOKOMIS, FL 34274



Description:			
NOTES AND TABLE OF CONTENTS			
Title:			
ALUM. PROJECTED WINDOW, NON-IMPACT			
Series/Model:	Scale:	Sheet:	Drawing No.
CA-640	NTS	1 of 11	7052-8
Rev:	C		

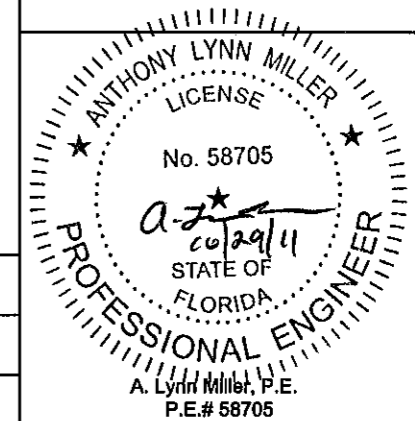


1/8" OR 3/16" GLAZING DETAIL



1/2" I.G. GLAZING DETAIL

PRODUCT REVISED  
as complying with the Florida  
Building Code 11-1114.21  
Acceptance No  
Expiration Date 11/20/2013  
By *[Signature]*  
Miami Dade Product Control

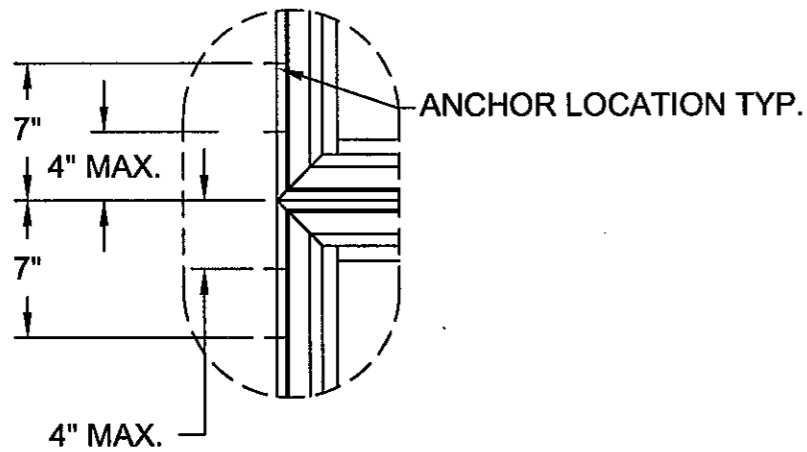


Revsd By: F.K.	Date: 10/18/05	Revisions: A	NO CHANGE THIS SHEET
Revsd By: D.G.	Date: 09/02/08	Revisions: B	NO CHANGE THIS SHEET
Revsd By: J.J.	Date: 10/24/11	Revisions: C	NO CHANGE THIS SHEET
Drawn By: F.K.	Date: 02/19/03	Checked By:	Date:

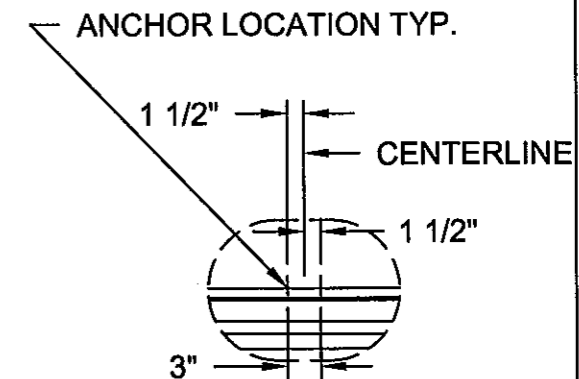
1070 TECHNOLOGY DRIVE  
NOKOMIS, FL 34275  
P.O. BOX 1529  
NOKOMIS, FL 34274



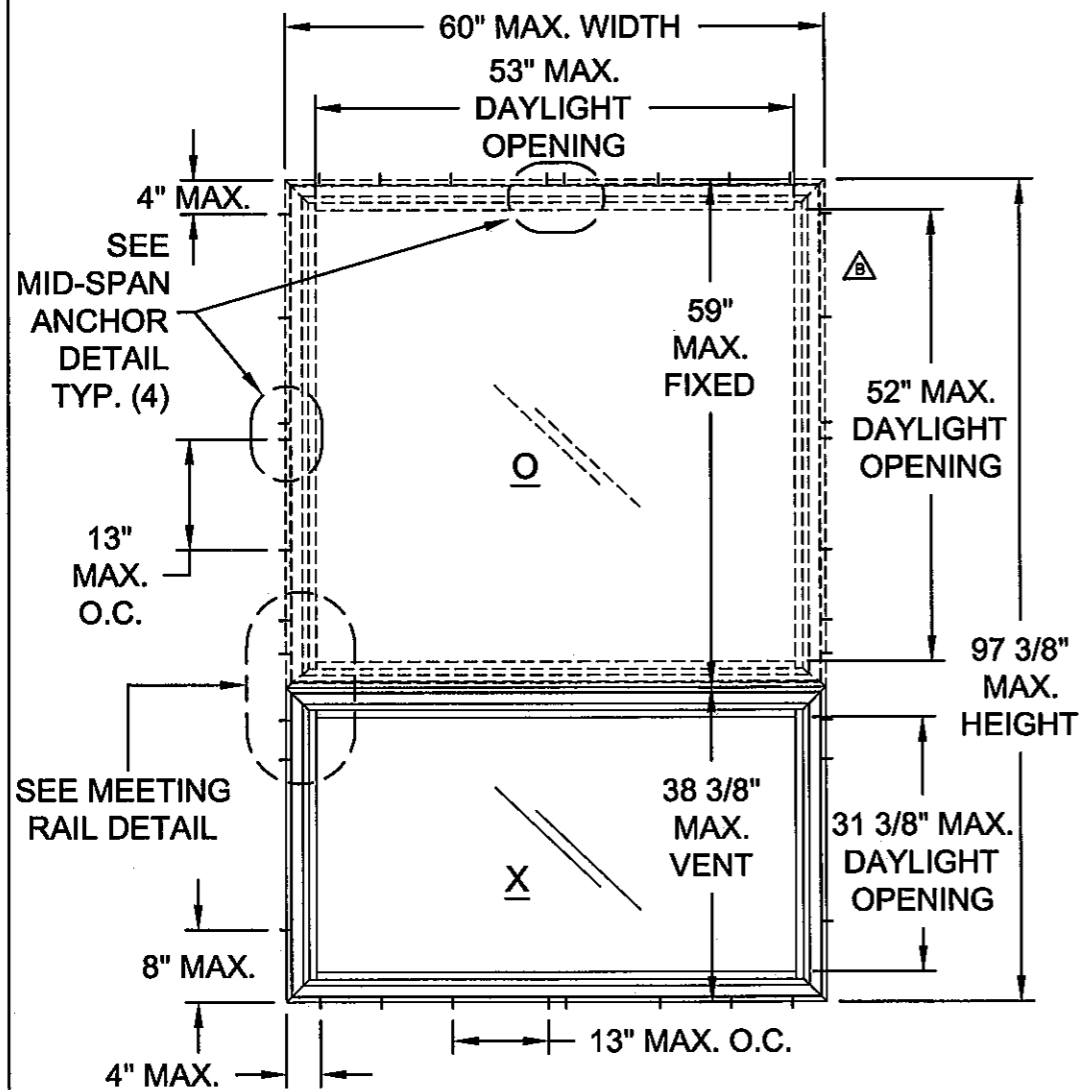
Description: <b>NOTES AND GLAZING DETAILS</b>			
Title: <b>ALUM. PROJECTED WINDOW, NON-IMPACT</b>			
Series/Model: CA-640	Scale: NTS	Sheet: 2 of 11	Drawing No. 7052-8
			Rev: C



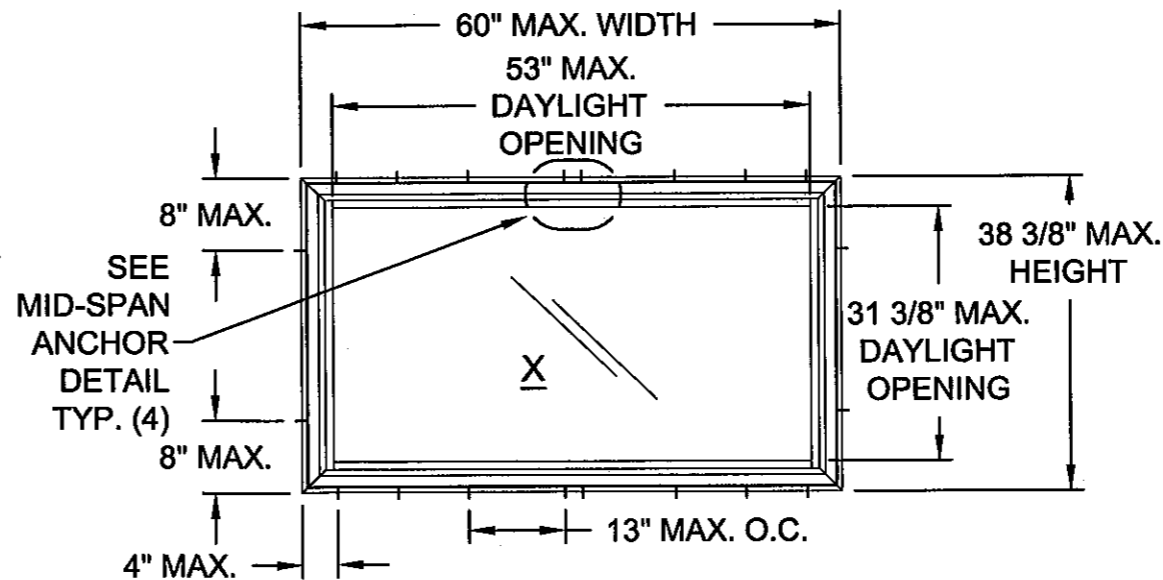
MEETING RAIL DETAIL (SEE SHT.1 NOTE 4)



MID-SPAN ANCHOR DETAIL  
(SEE SHT. 1 NOTE 4)

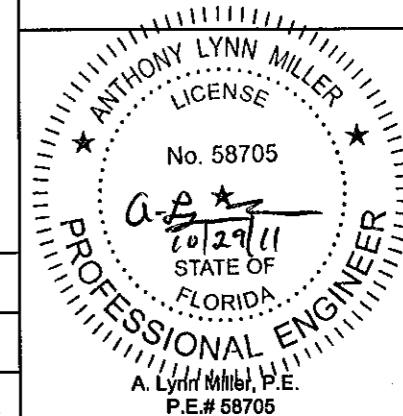


ELEVATION "A" - "OX"  
(SEE SHEETS 6, 7 & 8 FOR PRESSURES)



ELEVATION "B" - "X"  
(SEE SHEET 4 FOR PRESSURES)

PRODUCT REVISED  
as complying with the Florida  
Building Code  
Acceptance No. **11-1114.21**  
Expiration Date **11/20/2013**  
By *[Signature]*  
Miami Dade Product Control



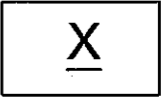
Revsd By: F.K.	Date: 10/18/05	Revisions: A	NO CHANGE THIS SHEET
Revsd By: D.G.	Date: 09/02/08	Revisions: B	REMOVED OR DASHED "O" CONFIGURATIONS
Revsd By: J.J.	Date: 10/24/11	Revisions: C	NO CHANGE THIS SHEET
Drawn By: F.K.	Date: 02/19/03	Checked By:	Date:

1070 TECHNOLOGY DRIVE  
NOKOMIS, FL 34275  
  
P.O. BOX 1529  
NOKOMIS, FL 34274



Description: <b>ELEVATIONS</b>			
Title: <b>ALUM. PROJECTED WINDOW, NON-IMPACT</b>			
Series/Model: CA-640	Scale: NTS	Sheet: 3 of 11	Drawing No. 7052-8
			Rev: C

COMPARATIVE ANALYSIS TABLE 1.			"X" WINDOWS TEST REPORTS: FTL-3726, FTL-3725, FTL-3730																			
GLAZING OPTIONS A. 3/16" ANNEALED, FTL-3726			B. 3/16" TEMPERED, FTL-3725						C. 1/2" I.G. (1/8" ANNEALED, 1/4" SPACE, 1/8" ANNEALED), FTL-3730													
VENT HEIGHT			17.000		18.000		21.000		24.000		26.000		30.000		33.000		36.000		37.000		38.375	
WINDOW WIDTH	24.000	A	90.0	-120.0	90.0	-120.0	90.0	-120.0	90.0	-120.0	90.0	-109.6	85.2	-85.2	73.0	-73.0	63.9	-63.9	61.4	-61.4	58.2	-58.2
		B	90.0	-210.0	90.0	-210.0	90.0	-210.0	90.0	-210.0	90.0	-197.2	90.0	-153.4	90.0	-131.5	89.5	-115.1	85.9	-110.4	81.4	-104.7
		C	90.0	-135.0	90.0	-135.0	90.0	-135.0	90.0	-127.8	90.0	-109.6	85.2	-85.2	73.0	-73.0	63.9	-63.9	61.4	-61.4	58.2	-58.2
	26.500	A	90.0	-120.0	90.0	-120.0	90.0	-120.0	90.0	-120.0	90.0	-108.9	82.9	-82.9	70.3	-70.3	61.1	-61.1	58.5	-58.5	55.3	-55.3
		B	90.0	-210.0	90.0	-210.0	90.0	-210.0	90.0	-210.0	90.0	-196.1	90.0	-149.3	90.0	-126.6	85.5	-109.9	81.9	-105.3	77.4	-99.5
		C	90.0	-135.0	90.0	-135.0	90.0	-135.0	90.0	-127.8	90.0	-108.9	82.9	-82.9	70.3	-70.3	61.1	-61.1	58.5	-58.5	55.3	-55.3
	30.000	A	90.0	-120.0	90.0	-120.0	90.0	-120.0	90.0	-120.0	90.0	-108.9	81.8	-81.8	68.2	-68.2	58.4	-58.4	55.8	-55.8	52.5	-52.5
		B	90.0	-210.0	90.0	-210.0	90.0	-210.0	90.0	-210.0	90.0	-196.1	90.0	-147.3	90.0	-122.7	81.8	-105.2	78.1	-100.4	73.5	-94.5
		C	90.0	-135.0	90.0	-135.0	90.0	-135.0	90.0	-127.8	90.0	-108.9	81.8	-81.8	68.2	-68.2	58.4	-58.4	55.8	-55.8	52.5	-52.5
	36.000	A	90.0	-120.0	90.0	-120.0	90.0	-120.0	90.0	-120.0	90.0	-108.9	81.8	-81.8	67.6	-67.6	56.8	-56.8	53.8	-53.8	50.2	-50.2
		B	90.0	-210.0	90.0	-210.0	90.0	-210.0	90.0	-210.0	90.0	-196.1	90.0	-147.3	90.0	-121.7	79.5	-102.3	75.4	-96.9	70.3	-90.3
		C	90.0	-135.0	90.0	-135.0	90.0	-121.9	90.0	-109.1	90.0	-103.8	81.8	-81.8	67.6	-67.6	56.8	-56.8	53.8	-53.8	50.2	-50.2
	37.000	A	90.0	-120.0	90.0	-120.0	90.0	-120.0	90.0	-119.7	90.0	-105.6	81.8	-81.8	67.6	-67.6	56.8	-56.8	53.8	-53.8	50.1	-50.1
		B	90.0	-210.0	90.0	-210.0	90.0	-210.0	90.0	-210.0	90.0	-196.1	90.0	-147.3	90.0	-121.7	79.5	-102.3	75.3	-96.8	70.1	-90.1
		C	90.0	-135.0	90.0	-135.0	90.0	-118.3	90.0	-104.8	90.0	-100.3	81.8	-81.8	67.6	-67.6	56.8	-56.8	53.8	-53.8	50.1	-50.1
	43.000	A	90.0	-120.0	90.0	-120.0	90.0	-114.7	90.0	-100.0	89.3	-89.3	74.3	-74.3	67.4	-67.4	56.8	-56.8	53.8	-53.8	50.0	-50.0
		B	90.0	-210.0	90.0	-210.0	90.0	-206.5	90.0	-189.5	90.0	-180.7	90.0	-147.3	90.0	-121.7	79.5	-102.3	75.3	-96.8	70.0	-90.0
		C	90.0	-133.5	90.0	-128.0	90.0	-100.9	85.4	-85.4	83.0	-83.0	78.6	-78.6	67.6	-67.6	56.8	-56.8	53.8	-53.8	50.0	-50.0
	48.000	A	90.0	-116.6	90.0	-111.6	90.0	-99.4	90.0	-90.6	82.0	-82.0	65.1	-65.1	59.4	-59.4	55.6	-55.6	53.8	-53.8	50.0	-50.0
		B	90.0	-209.9	90.0	-200.8	90.0	-179.0	90.0	-163.1	90.0	-154.9	90.0	-142.4	90.0	-121.7	79.5	-102.3	75.3	-96.8	70.0	-90.0
		C	90.0	-116.6	90.0	-111.6	90.0	-93.1	75.9	-75.9	71.8	-71.8	67.9	-67.9	65.0	-65.0	56.8	-56.8	53.8	-53.8	50.0	-50.0
	53.125	A	90.0	-103.2	90.0	-98.6	87.5	-87.5	79.3	-79.3	73.3	-73.3	56.9	-56.9	52.7	-52.7	49.2	-49.2	48.4	-48.4	47.3	-47.3
		B	90.0	-185.8	90.0	-177.5	90.0	-157.5	90.0	-142.8	90.0	-135.1	90.0	-123.2	90.0	-116.6	79.5	-102.3	75.3	-96.8	70.0	-90.0
		C	90.0	-103.2	90.0	-98.6	87.5	-87.5	68.3	-68.3	63.1	-63.1	58.7	-58.7	57.2	-57.2	56.4	-56.4	53.8	-53.8	50.0	-50.0
57.000	A	90.0	-95.0	90.0	-90.6	80.2	-80.2	72.5	-72.5	68.5	-68.5	53.3	-53.3	48.1	-48.1	45.3	-45.3	44.4	-44.4	43.4	-43.4	
	B	90.0	-171.0	90.0	-163.1	90.0	-144.3	90.0	-130.5	90.0	-123.2	87.0	-111.9	82.0	-105.5	78.1	-100.4	75.3	-96.8	70.0	-90.0	
	C	90.0	-95.0	90.0	-90.6	80.2	-80.2	64.6	-64.6	56.6	-56.6	52.5	-52.5	51.9	-51.9	51.4	-51.4	50.9	-50.9	50.0	-50.0	
60.000	A	89.4	-89.4	85.3	-85.3	75.3	-75.3	68.0	-68.0	64.1	-64.1	51.1	-51.1	45.0	-45.0	42.1	-42.1	41.6	-41.6	40.9	-40.9	
	B	90.0	-161.0	90.0	-153.5	90.0	-135.6	90.0	-122.4	89.7	-115.3	81.2	-104.4	76.4	-98.2	72.5	-93.2	71.4	-91.8	70.0	-90.0	
	C	89.4	-89.4	85.3	-85.3	75.3	-75.3	61.1	-61.1	53.2	-53.2	48.3	-48.3	48.9	-48.9	48.5	-48.5	48.1	-48.1	47.5	-47.5	

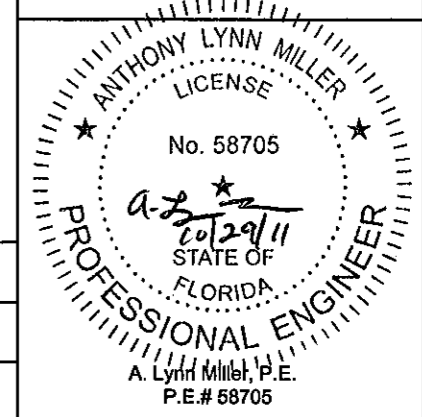


- NOTES:**
- FOR INSTALLATIONS IN CONCRETE OR WOOD TO THE FULL DESIGN PRESSURES IN THESE TABLES, USE ELCO 1/4" TAPCONS OR 1/4" SS4 CRETE-FLEX ANCHORS.
  - IF INSTALLING WITH #12 SCREWS, DESIGN PRESSURE IS LIMITED TO 79.9 P.S.F.

COMPARATIVE ANALYSIS TABLE 2.			"X" WINDOWS TEST REPORT: FTL-3731																			
GLAZING OPTIONS: D. 1/8" ANNEALED (DSB) GLASS																						
VENT HEIGHT			17.000		18.000		21.000		24.000		26.000		30.000		33.000		36.000		37.000		38.375	
WINDOW WIDTH	24.000	A	75.0	-75.0	75.0	-75.0	75.0	-75.0	75.0	-75.0	75.0	-75.0	68.2	-68.2	58.4	-58.4	51.1	-51.1	49.1	-49.1	46.5	-46.5
	26.500	A	75.0	-75.0	75.0	-75.0	75.0	-75.0	75.0	-75.0	75.0	-75.0	66.4	-66.4	56.3	-56.3	48.9	-48.9	46.8	-46.8	44.2	-44.2
	30.000	A	75.0	-75.0	75.0	-75.0	75.0	-75.0	75.0	-75.0	71.4	-71.4	65.3	-65.3	54.5	-54.5	46.8	-46.8	44.6	-44.6	42.0	-42.0
	36.000	A	75.0	-75.0	75.0	-75.0	67.7	-67.7	60.6	-60.6	57.7	-57.7	53.4	-53.4	50.3	-50.3	45.5	-45.5	43.1	-43.1	40.2	-40.2
	37.000	A	75.0	-75.0	75.0	-75.0	65.7	-65.7	58.2	-58.2	55.7	-55.7	51.9	-51.9	48.9	-48.9	45.5	-45.5	43.0	-43.0	40.1	-40.1
	43.000	A	75.0	-75.0	75.0	-75.0	56.1	-56.1	47.4	-47.4	46.1	-46.1	43.6	-43.6	41.1	-41.1	38.5	-38.5	38.2	-38.2	37.6	-37.6
	48.000	A	75.0	-75.0	74.2	-74.2	51.7	-51.7	42.2	-42.2	39.9	-39.9	37.7	-37.7	36.1	-36.1	35.2	-35.2	34.6	-34.6	33.7	-33.7
	53.125	A	68.7	-68.7	65.6	-65.6	49.1	-49.1	37.9	-37.9	35.0	-35.0	32.6	-32.6	31.8	-31.8	31.3	-31.3	31.0	-31.0	30.0	-30.0

Revsd By: F.K.	Date: 10/18/05	Revisions: A	REVISE ANCHORAGE	1070 TECHNOLOGY DRIVE NOKOMIS, FL 34275		Description: DESIGN PRESSURES "X" WINDOWS				
Revsd By: D.G.	Date: 09/02/08	Revisions: B	NO CHANGE THIS SHEET			Title: ALUM. PROJECTED WINDOW, NON-IMPACT				
Revsd By: J.J.	Date: 10/24/11	Revisions: C	NO CHANGE THIS SHEET			Series/Model: CA-640	Scale: NTS	Sheet: 4 of 11	Drawing No. 7052-8	Rev: C
Drawn By: F.K.	Date: 02/19/03	Checked By:	Date:							

PRODUCT REVISED as complying with the Florida Building Code  
 Building Code 11-1114.21  
 Acceptance No.  
 Expiration Date 11/20/2013  
 By:   
 Miami Dade Product Control



**COMPARATIVE ANALYSIS TABLE 4.** "OX" UNEQUAL LITE WINDOWS TEST REPORTS: FTL-3726, FTL-3725, FTL-3730

GLAZING OPTIONS: A. 3/16" ANNEALED, FTL-3726 B. 3/16" TEMPERED, FTL-3725 C. 1/2" I.G. (1/8" ANNEALED, 1/4" SPACE, 1/8" ANNEALED), FTL-3730

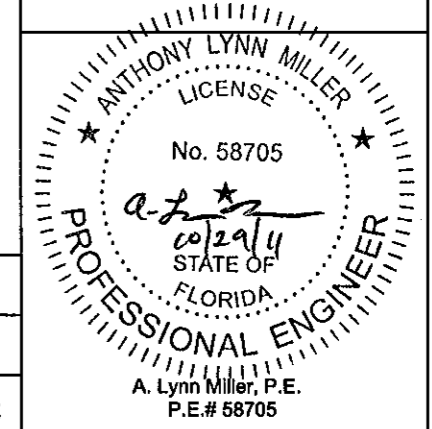
VENT HEIGHT		17.000												18.000												
FIXED HEIGHT		26.000		32.000		38.375		44.000		50.625		59.000		26.000		32.000		38.375		44.000		50.625		59.000		
"OX" HEIGHT		43.000		49.000		55.375		61.000		67.625		76.000		44.000		50.000		56.375		62.000		68.625		77.000		
WINDOW WIDTH	24.000	A	90.0	-120.0	90.0	-120.0	90.0	-115.0	90.0	-97.8	88.1	-88.1	77.1	-77.1	90.0	-120.0	90.0	-120.0	90.0	-115.0	90.0	-97.8	88.1	-88.1	77.1	-77.1
		B	90.0	-210.0	90.0	-210.0	90.0	-210.0	90.0	-204.0	90.0	-169.0	90.0	-138.9	90.0	-210.0	90.0	-210.0	90.0	-210.0	90.0	-204.0	90.0	-169.0	90.0	-138.9
		C	90.0	-135.0	90.0	-126.5	90.0	-100.0	83.7	-83.7	70.7	-70.7	62.3	-62.3	90.0	-135.0	90.0	-126.5	90.0	-100.0	83.7	-83.7	70.7	-70.7	62.3	-62.3
	26.500	A	90.0	-120.0	90.0	-120.0	90.0	-97.8	86.0	-86.0	74.1	-74.1	64.3	-64.3	90.0	-120.0	90.0	-120.0	90.0	-97.8	86.0	-86.0	74.1	-74.1	64.3	-64.3
		B	90.0	-210.0	90.0	-210.0	90.0	-210.0	90.0	-192.2	90.0	-158.2	90.0	-129.2	90.0	-210.0	90.0	-210.0	90.0	-210.0	90.0	-192.2	90.0	-158.2	90.0	-129.2
		C	90.0	-135.0	90.0	-118.4	90.0	-94.4	79.8	-79.8	66.6	-66.6	52.8	-52.8	90.0	-135.0	90.0	-118.4	90.0	-94.4	79.8	-79.8	66.6	-66.6	52.8	-52.8
	30.000	A	90.0	-120.0	90.0	-104.6	84.3	-84.3	72.4	-72.4	60.9	-60.9	51.8	-51.8	90.0	-120.0	90.0	-104.6	84.3	-84.3	72.4	-72.4	60.9	-60.9	51.8	-51.8
		B	90.0	-210.0	90.0	-210.0	90.0	-210.0	90.0	-180.1	90.0	-146.6	90.0	-118.7	90.0	-210.0	90.0	-210.0	90.0	-210.0	90.0	-180.1	90.0	-146.6	90.0	-118.7
		C	90.0	-128.5	90.0	-109.6	89.7	-89.7	76.1	-76.1	63.1	-63.1	49.6	-49.6	90.0	-128.5	90.0	-109.6	89.7	-89.7	76.1	-76.1	63.1	-63.1	49.6	-49.6
	36.000	A	90.0	-109.1	84.6	-84.6	70.7	-70.7	61.5	-61.5	52.1	-52.1	43.2	-43.2	90.0	-109.1	84.6	-84.6	70.7	-70.7	61.5	-61.5	52.1	-52.1	43.2	-43.2
		B	90.0	-210.0	90.0	-210.0	90.0	-210.0	90.0	-167.4	90.0	-133.4	82.5	-106.1	90.0	-210.0	90.0	-210.0	90.0	-210.0	90.0	-167.4	90.0	-133.4	82.5	-106.1
		C	90.0	-103.8	90.0	-92.3	79.3	-79.3	68.2	-68.2	60.0	-60.0	49.4	-49.4	90.0	-103.8	90.0	-92.3	79.3	-79.3	68.2	-68.2	60.0	-60.0	49.4	-49.4
	37.000	A	90.0	-105.6	82.1	-82.1	69.3	-69.3	60.2	-60.2	51.0	-51.0	42.4	-42.4	90.0	-105.6	82.1	-82.1	69.3	-69.3	60.2	-60.2	51.0	-51.0	42.4	-42.4
		B	90.0	-210.0	90.0	-210.0	90.0	-210.0	90.0	-166.0	90.0	-131.8	81.3	-104.5	90.0	-210.0	90.0	-210.0	90.0	-210.0	90.0	-166.0	90.0	-131.8	81.3	-104.5
		C	90.0	-100.3	89.6	-89.6	77.8	-77.8	67.5	-67.5	58.9	-58.9	49.1	-49.1	90.0	-100.3	89.6	-89.6	77.8	-77.8	67.5	-67.5	58.9	-58.9	49.1	-49.1
	43.000	A	89.3	-89.3	69.2	-69.2	60.2	-60.2	53.8	-53.8	46.7	-46.7	39.4	-39.4	89.3	-89.3	69.2	-69.2	60.2	-60.2	53.8	-53.8	46.7	-46.7	39.4	-39.4
		B	90.0	-210.0	90.0	-208.8	90.0	-201.9	90.0	-161.9	90.0	-125.1	75.6	-97.1	90.0	-210.0	90.0	-205.2	90.0	-198.5	90.0	-161.9	90.0	-125.1	75.6	-97.1
		C	83.0	-83.0	75.4	-75.4	67.6	-67.6	60.6	-60.6	52.2	-52.2	45.1	-45.1	83.0	-83.0	75.4	-75.4	67.6	-67.6	60.6	-60.6	52.2	-52.2	45.1	-45.1
	48.000	A	82.0	-82.0	61.1	-61.1	52.8	-52.8	48.7	-48.7	43.8	-43.8	37.5	-37.5	82.0	-82.0	61.1	-61.1	52.8	-52.8	48.7	-48.7	43.8	-43.8	37.5	-37.5
		B	90.0	-191.5	90.0	-178.7	90.0	-170.4	90.0	-161.8	90.0	-122.6	72.5	-93.2	90.0	-187.9	90.0	-175.5	90.0	-167.6	90.0	-161.8	90.0	-122.6	72.5	-93.2
		C	71.8	-71.8	65.6	-65.6	60.6	-60.6	53.7	-53.7	47.8	-47.8	40.5	-40.5	71.8	-71.8	65.6	-65.6	60.6	-60.6	53.7	-53.7	47.8	-47.8	40.5	-40.5
	53.125	A	73.3	-73.3	54.0	-54.0	47.3	-47.3	43.8	-43.8	40.5	-40.5	35.3	-35.3	73.3	-73.3	54.0	-54.0	47.3	-47.3	43.8	-43.8	40.5	-40.5	35.3	-35.3
		B	90.0	-168.1	90.0	-155.6	90.0	-147.0	90.0	-142.3	90.0	-122.2	70.7	-90.9	90.0	-164.8	90.0	-152.8	90.0	-144.5	90.0	-140.0	90.0	-122.2	70.7	-90.9
		C	63.1	-63.1	57.6	-57.6	54.1	-54.1	49.2	-49.2	43.1	-43.1	36.5	-36.5	63.1	-63.1	57.6	-57.6	54.1	-54.1	49.2	-49.2	43.1	-43.1	36.5	-36.5
57.000	A	69.0	-69.0	49.4	-49.4	43.4	-43.4	40.4	-40.4	37.6	-37.6	33.6	-33.6	69.0	-69.0	49.4	-49.4	43.4	-43.4	40.4	-40.4	37.6	-37.6	33.6	-33.6	
	B	90.0	-153.9	90.0	-141.8	90.0	-133.1	90.0	-128.1	90.0	-122.2	70.1	-90.1	90.0	-150.9	90.0	-139.2	90.0	-130.8	90.0	-126.0	90.0	-122.2	70.1	-90.1	
	C	56.6	-56.6	51.1	-51.1	50.4	-50.4	45.8	-45.8	39.9	-39.9	34.0	-34.0	56.6	-56.6	51.1	-51.1	50.4	-50.4	45.8	-45.8	39.9	-39.9	34.0	-34.0	
60.000	A	66.2	-66.2	46.7	-46.7	40.9	-40.9	38.6	-38.6	35.8	-35.8	32.3	-32.3	66.2	-66.2	46.7	-46.7	40.9	-40.9	38.6	-38.6	35.8	-35.8	32.3	-32.3	
	B	90.0	-144.4	90.0	-132.7	90.0	-124.1	90.0	-118.9	89.5	-115.1	70.0	-90.0	90.0	-141.5	90.0	-130.2	90.0	-121.9	90.0	-117.0	88.1	-113.3	70.0	-90.0	
	C	53.2	-53.2	48.6	-48.6	47.5	-47.5	43.3	-43.3	37.8	-37.8	32.3	-32.3	53.2	-53.2	48.6	-48.6	47.5	-47.5	43.3	-43.3	37.8	-37.8	32.3	-32.3	

O  
X

**NOTES:**

- FOR INSTALLATIONS IN WOOD OR CONCRETE TO THE FULL DESIGN PRESSURES IN THE ABOVE TABLE, USE ELCO 1/4" TAPCONS OR 1/4" SS4 CRETE-FLEX ANCHORS.
- IF INSTALLING WITH #12 SCREWS, DESIGN PRESSURE IS LIMITED TO 79.9 P.S.F.

PRODUCT REVISED  
as complying with the Florida  
Building Code  
Acceptance No **11-1114.21**  
Expiration Date **11/20/2013**  
By *[Signature]*  
Miami Dade Product Control



Revsd By: F.K.	Date: 10/18/05	Revisions: A	REVISE ANCHORAGE
Revsd By: D.G.	Date: 09/02/08	Revisions: B	SHEET RENUMBERED
Revsd By: J.J.	Date: 10/24/11	Revisions: C	NO CHANGE THIS SHEET
Drawn By: F.K.	Date: 02/19/03	Checked By:	Date:

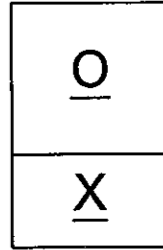
1070 TECHNOLOGY DRIVE  
NOKOMIS, FL 34275  
  
P.O. BOX 1529  
NOKOMIS, FL 34274



Description: DESIGN PRESSURES "OX" WINDOWS			
Title: ALUM. PROJECTED WINDOW, NON-IMPACT			
Series/Model: CA-640	Scale: NTS	Sheet: 5 of 11	Drawing No. 7052-8
			Rev: C



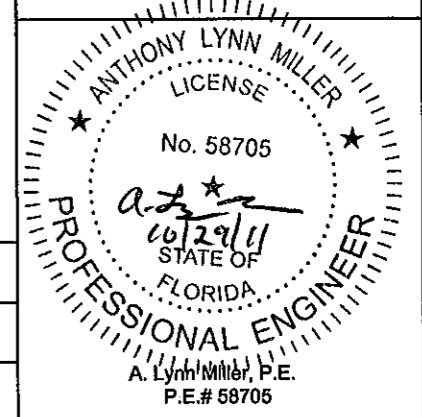
COMPARATIVE ANALYSIS TABLE 5.		"OX" UNEQUAL LITE WINDOWS												TEST REPORTS: FTL-3726, FTL-3725, FTL-3730												
GLAZING OPTIONS:		A. 3/16" ANNEALED, FTL-3726				B. 3/16" TEMPERED, FTL-3725				C. 1/2" I.G. (1/8" ANNEALED, 1/4" SPACE, 1/8" ANNEALED), FTL-3730																
VENT HEIGHT		24.000												26.000												
FIXED HEIGHT		26.000		32.000		38.375		44.000		50.625		59.000		26.000		32.000		38.375		44.000		50.625		59.000		
"OX" HEIGHT		50.000		56.000		62.375		68.000		74.625		83.000		52.000		58.000		64.375		70.000		76.625		85.000		
WINDOW WIDTH	24.000	A	90.0	-120.0	90.0	-120.0	90.0	-115.0	90.0	-97.8	88.1	-88.1	77.1	-77.1	90.0	-109.6	90.0	-109.6	90.0	-109.6	90.0	-97.8	88.1	-88.1	77.1	-77.1
		B	90.0	-210.0	90.0	-210.0	90.0	-210.0	90.0	-204.0	90.0	-169.0	90.0	-138.9	90.0	-197.2	90.0	-197.2	90.0	-197.2	90.0	-197.2	90.0	-169.0	90.0	-138.9
		C	90.0	-127.8	90.0	-126.5	90.0	-100.0	83.7	-83.7	70.7	-70.7	62.3	-62.3	90.0	-109.6	90.0	-109.6	90.0	-100.0	83.7	-83.7	70.7	-70.7	62.3	-62.3
	26.500	A	90.0	-120.0	90.0	-120.0	90.0	-97.8	86.0	-86.0	74.1	-74.1	64.3	-64.3	90.0	-108.9	90.0	-108.9	90.0	-97.8	86.0	-86.0	74.1	-74.1	64.3	-64.3
		B	90.0	-210.0	90.0	-210.0	90.0	-210.0	90.0	-192.2	90.0	-158.2	90.0	-129.2	90.0	-196.1	90.0	-196.1	90.0	-196.1	90.0	-192.2	90.0	-158.2	90.0	-129.2
		C	90.0	-127.8	90.0	-118.4	90.0	-94.4	79.8	-79.8	66.6	-66.6	52.8	-52.8	90.0	-108.9	90.0	-108.9	90.0	-94.4	79.8	-79.8	66.6	-66.6	52.8	-52.8
	30.000	A	90.0	-120.0	90.0	-104.6	84.3	-84.3	72.4	-72.4	60.9	-60.9	51.8	-51.8	90.0	-108.9	90.0	-104.6	84.3	-84.3	72.4	-72.4	60.9	-60.9	51.8	-51.8
		B	90.0	-210.0	90.0	-210.0	90.0	-210.0	90.0	-180.1	90.0	-146.6	90.0	-118.7	90.0	-196.1	90.0	-196.1	90.0	-196.1	90.0	-180.1	90.0	-146.6	90.0	-118.7
		C	90.0	-127.8	90.0	-109.6	89.7	-89.7	76.1	-76.1	63.1	-63.1	49.6	-49.6	90.0	-108.9	90.0	-108.9	89.7	-89.7	76.1	-76.1	63.1	-63.1	49.6	-49.6
	36.000	A	90.0	-109.1	84.6	-84.6	70.7	-70.7	61.5	-61.5	52.1	-52.1	43.2	-43.2	90.0	-108.9	84.6	-84.6	70.7	-70.7	61.5	-61.5	52.1	-52.1	43.2	-43.2
		B	90.0	-210.0	90.0	-210.0	90.0	-210.0	90.0	-167.4	90.0	-133.4	82.5	-106.1	90.0	-196.1	90.0	-196.1	90.0	-196.1	90.0	-167.4	90.0	-133.4	82.5	-106.1
		C	90.0	-103.8	90.0	-92.3	79.3	-79.3	68.2	-68.2	60.0	-60.0	49.4	-49.4	90.0	-103.8	90.0	-92.3	79.3	-79.3	68.2	-68.2	60.0	-60.0	49.4	-49.4
	37.000	A	90.0	-105.6	82.1	-82.1	69.3	-69.3	60.2	-60.2	51.0	-51.0	42.4	-42.4	90.0	-105.6	82.1	-82.1	69.3	-69.3	60.2	-60.2	51.0	-51.0	42.4	-42.4
		B	90.0	-210.0	90.0	-210.0	90.0	-210.0	90.0	-166.0	90.0	-131.8	81.3	-104.5	90.0	-196.1	90.0	-196.1	90.0	-196.1	90.0	-166.0	90.0	-131.8	81.3	-104.5
		C	90.0	-100.3	89.6	-89.6	77.8	-77.8	67.5	-67.5	58.9	-58.9	49.1	-49.1	90.0	-100.3	89.6	-89.6	77.8	-77.8	67.5	-67.5	58.9	-58.9	49.1	-49.1
	43.000	A	89.3	-89.3	69.2	-69.2	60.2	-60.2	53.8	-53.8	46.7	-46.7	39.4	-39.4	89.3	-89.3	69.2	-69.2	60.2	-60.2	53.8	-53.8	46.7	-46.7	39.4	-39.4
		B	90.0	-198.8	90.0	-188.4	90.0	-182.7	90.0	-161.9	90.0	-125.1	75.6	-97.1	90.0	-194.2	90.0	-184.3	90.0	-178.8	90.0	-161.9	90.0	-125.1	75.6	-97.1
		C	83.0	-83.0	75.4	-75.4	67.6	-67.6	60.6	-60.6	52.2	-52.2	45.1	-45.1	83.0	-83.0	75.4	-75.4	67.6	-67.6	60.6	-60.6	52.2	-52.2	45.1	-45.1
	48.000	A	82.0	-82.0	61.1	-61.1	52.8	-52.8	48.7	-48.7	43.8	-43.8	37.5	-37.5	82.0	-82.0	61.1	-61.1	52.8	-52.8	48.7	-48.7	43.8	-43.8	37.5	-37.5
		B	90.0	-170.8	90.0	-160.4	90.0	-153.8	90.0	-150.9	90.0	-122.6	72.5	-93.2	90.0	-166.4	90.0	-156.6	90.0	-150.3	90.0	-147.5	90.0	-122.6	72.5	-93.2
		C	71.8	-71.8	65.6	-65.6	60.6	-60.6	53.7	-53.7	47.8	-47.8	40.5	-40.5	71.8	-71.8	65.6	-65.6	60.6	-60.6	53.7	-53.7	47.8	-47.8	40.5	-40.5
	53.125	A	73.3	-73.3	54.0	-54.0	47.3	-47.3	43.8	-43.8	40.5	-40.5	35.3	-35.3	73.3	-73.3	54.0	-54.0	47.3	-47.3	43.8	-43.8	40.5	-40.5	35.3	-35.3
		B	90.0	-149.2	90.0	-139.3	90.0	-132.3	90.0	-128.5	90.0	-122.2	70.7	-90.9	90.0	-145.2	90.0	-135.8	90.0	-129.1	90.0	-125.5	90.0	-122.2	70.7	-90.9
		C	63.1	-63.1	57.6	-57.6	54.1	-54.1	49.2	-49.2	43.1	-43.1	36.5	-36.5	63.1	-63.1	57.6	-57.6	54.1	-54.1	49.2	-49.2	43.1	-43.1	36.5	-36.5
57.000	A	69.0	-69.0	49.4	-49.4	43.4	-43.4	40.4	-40.4	37.6	-37.6	33.6	-33.6	69.0	-69.0	49.4	-49.4	43.4	-43.4	40.4	-40.4	37.6	-37.6	33.6	-33.6	
	B	90.0	-136.2	90.0	-126.6	90.0	-119.7	89.9	-115.6	87.8	-112.9	70.1	-90.1	90.0	-132.4	90.0	-123.3	90.0	-116.7	87.8	-112.9	85.7	-110.2	70.1	-90.1	
	C	56.6	-56.6	51.1	-51.1	50.4	-50.4	45.8	-45.8	39.9	-39.9	34.0	-34.0	56.6	-56.6	51.1	-51.1	50.4	-50.4	45.8	-45.8	39.9	-39.9	34.0	-34.0	
60.000	A	66.2	-66.2	46.7	-46.7	40.9	-40.9	38.6	-38.6	35.8	-35.8	32.3	-32.3	66.2	-66.2	46.7	-46.7	40.9	-40.9	38.6	-38.6	35.8	-35.8	32.3	-32.3	
	B	90.0	-127.6	90.0	-118.3	86.7	-111.4	83.4	-107.3	81.0	-104.2	70.0	-90.0	90.0	-123.9	89.6	-115.2	84.5	-108.6	81.4	-104.7	79.1	-101.7	70.0	-90.0	
	C	53.2	-53.2	48.6	-48.6	47.5	-47.5	43.3	-43.3	37.8	-37.8	32.3	-32.3	53.2	-53.2	48.6	-48.6	47.5	-47.5	43.3	-43.3	37.8	-37.8	32.3	-32.3	



**NOTES:**

- FOR INSTALLATIONS IN WOOD OR CONCRETE TO THE FULL DESIGN PRESSURES IN THE ABOVE TABLE, USE 1/4" TAPCONS OR 1/4" CRETE-FLEX ANCHORS.
- IF INSTALLING WITH #12 SCREWS, DESIGN PRESSURE IS LIMITED TO 79.9 P.S.F.

PRODUCT REVISED as complying with the Florida Building Code  
 Building Code 11-1114.21  
 Acceptance No. 11-20-2013  
 Expiration Date  
 By: *[Signature]*  
 Miami Dade Product Control



Revsd By: F.K.	Date: 10/18/05	Revisions: A	REVISE ANCHORAGE	1070 TECHNOLOGY DRIVE NOKOMIS, FL 34275  P.O. BOX 1529 NOKOMIS, FL 34274	<b>PGI</b> Visibly Better	Description: DESIGN PRESSURES "OX" WINDOWS					
Revsd By: D.G.	Date: 09/02/08	Revisions: B	SHEET RENUMBERED			Title: ALUM. PROJECTED WINDOW, NON-IMPACT					
Revsd By: J.J.	Date: 10/24/11	Revisions: C	NO CHANGE THIS SHEET			Series/Model: CA-640	Scale: NTS	Sheet: 6 of 11	Drawing No. 7052-8	Rev: C	
Drawn By: F.K.	Date: 02/19/03	Checked By:	Date:								

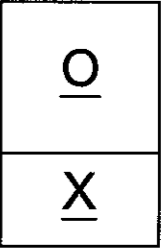
**COMPARATIVE ANALYSIS TABLE 6.**

"OX" UNEQUAL LITE WINDOWS

TEST REPORTS: FTL-3726, FTL-3725, FTL-3730

GLAZING OPTIONS: A. 3/16" ANNEALED, FTL-3726      B. 3/16" TEMPERED, FTL-3725      C. 1/2" I.G. (1/8" ANNEALED, 1/4" SPACE, 1/8" ANNEALED), FTL-3730

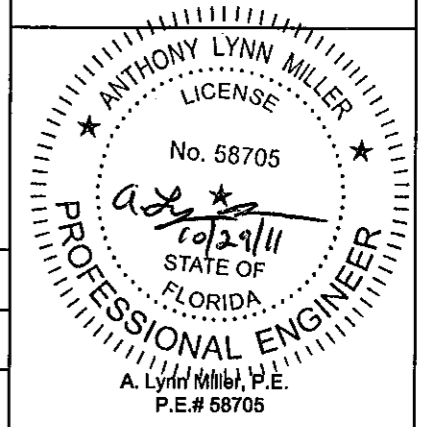
WINDOW WIDTH	VENT HEIGHT		32.000										38.375												
	FIXED HEIGHT		26.000	32.000	38.375	44.000	50.625	59.000	26.000	32.000	38.375	44.000	50.625	59.000											
	"OX" HEIGHT		58.000	64.000	70.375	76.000	82.625	91.000	64.375	70.375	76.750	82.375	89.000	97.375											
24.000	A	76.7	-76.7	76.7	-76.7	76.7	-76.7	76.7	-76.7	76.7	-76.7	76.7	-76.7	58.2	-58.2	58.2	-58.2	58.2	-58.2	58.2	-58.2	58.2	-58.2	58.2	-58.2
	B	90.0	-138.1	90.0	-138.1	90.0	-138.1	90.0	-138.1	90.0	-138.1	90.0	-138.1	81.4	-104.7	81.4	-104.7	81.4	-104.7	81.4	-104.7	81.4	-104.7	81.4	-104.7
	C	76.7	-76.7	76.7	-76.7	76.7	-76.7	76.7	-76.7	70.7	-70.7	62.3	-62.3	58.2	-58.2	58.2	-58.2	58.2	-58.2	58.2	-58.2	58.2	-58.2	58.2	-58.2
26.500	A	74.1	-74.1	74.1	-74.1	74.1	-74.1	74.1	-74.1	74.1	-74.1	74.1	-74.1	64.3	-64.3	55.3	-55.3	55.3	-55.3	55.3	-55.3	55.3	-55.3	55.3	-55.3
	B	90.0	-133.4	90.0	-133.4	90.0	-133.4	90.0	-133.4	90.0	-133.4	90.0	-133.4	90.0	-129.2	77.4	-99.5	77.4	-99.5	77.4	-99.5	77.4	-99.5	77.4	-99.5
	C	74.1	-74.1	74.1	-74.1	74.1	-74.1	74.1	-74.1	66.6	-66.6	52.8	-52.8	55.3	-55.3	55.3	-55.3	55.3	-55.3	55.3	-55.3	55.3	-55.3	52.8	-52.8
30.000	A	72.2	-72.2	72.2	-72.2	72.2	-72.2	72.2	-72.2	60.9	-60.9	51.8	-51.8	52.5	-52.5	52.5	-52.5	52.5	-52.5	52.5	-52.5	52.5	-52.5	51.8	-51.8
	B	90.0	-129.9	90.0	-129.9	90.0	-129.9	90.0	-129.9	90.0	-129.9	90.0	-129.9	90.0	-118.7	73.5	-94.5	73.5	-94.5	73.5	-94.5	73.5	-94.5	73.5	-94.5
	C	72.2	-72.2	72.2	-72.2	72.2	-72.2	72.2	-72.2	63.1	-63.1	49.6	-49.6	52.5	-52.5	52.5	-52.5	52.5	-52.5	52.5	-52.5	52.5	-52.5	49.6	-49.6
36.000	A	71.9	-71.9	71.9	-71.9	70.7	-70.7	61.5	-61.5	52.1	-52.1	43.2	-43.2	50.2	-50.2	50.2	-50.2	50.2	-50.2	50.2	-50.2	50.2	-50.2	43.2	-43.2
	B	90.0	-129.4	90.0	-129.4	90.0	-129.4	90.0	-129.4	90.0	-129.4	82.5	-106.1	70.3	-90.3	70.3	-90.3	70.3	-90.3	70.3	-90.3	70.3	-90.3	70.3	-90.3
	C	71.9	-71.9	71.9	-71.9	71.9	-71.9	68.2	-68.2	60.0	-60.0	49.4	-49.4	50.2	-50.2	50.2	-50.2	50.2	-50.2	50.2	-50.2	50.2	-50.2	49.4	-49.4
37.000	A	71.9	-71.9	71.9	-71.9	69.3	-69.3	60.2	-60.2	51.0	-51.0	42.4	-42.4	50.1	-50.1	50.1	-50.1	50.1	-50.1	50.1	-50.1	50.1	-50.1	42.4	-42.4
	B	90.0	-129.4	90.0	-129.4	90.0	-129.4	90.0	-129.4	90.0	-129.4	81.3	-104.5	70.1	-90.1	70.1	-90.1	70.1	-90.1	70.1	-90.1	70.1	-90.1	70.1	-90.1
	C	71.9	-71.9	71.9	-71.9	71.9	-71.9	67.5	-67.5	58.9	-58.9	49.1	-49.1	50.1	-50.1	50.1	-50.1	50.1	-50.1	50.1	-50.1	50.1	-50.1	49.1	-49.1
43.000	A	69.2	-69.2	69.2	-69.2	60.2	-60.2	53.8	-53.8	46.7	-46.7	39.4	-39.4	50.0	-50.0	50.0	-50.0	50.0	-50.0	50.0	-50.0	46.7	-46.7	39.4	-39.4
	B	90.0	-129.4	90.0	-129.4	90.0	-129.4	90.0	-129.4	90.0	-125.1	75.6	-97.1	70.0	-90.0	70.0	-90.0	70.0	-90.0	70.0	-90.0	70.0	-90.0	70.0	-90.0
	C	71.9	-71.9	71.9	-71.9	67.6	-67.6	60.6	-60.6	52.2	-52.2	45.1	-45.1	50.0	-50.0	50.0	-50.0	50.0	-50.0	50.0	-50.0	50.0	-50.0	45.1	-45.1
48.000	A	61.1	-61.1	61.1	-61.1	52.8	-52.8	48.7	-48.7	43.8	-43.8	37.5	-37.5	50.0	-50.0	50.0	-50.0	50.0	-50.0	48.7	-48.7	43.8	-43.8	37.5	-37.5
	B	90.0	-129.4	90.0	-129.4	90.0	-129.4	90.0	-129.4	90.0	-122.6	72.5	-93.2	70.0	-90.0	70.0	-90.0	70.0	-90.0	70.0	-90.0	70.0	-90.0	70.0	-90.0
	C	65.6	-65.6	65.6	-65.6	60.6	-60.6	53.7	-53.7	47.8	-47.8	40.5	-40.5	50.0	-50.0	50.0	-50.0	50.0	-50.0	50.0	-50.0	47.8	-47.8	40.5	-40.5
53.125	A	54.0	-54.0	54.0	-54.0	47.3	-47.3	43.8	-43.8	40.5	-40.5	35.3	-35.3	47.3	-47.3	47.3	-47.3	47.3	-47.3	43.8	-43.8	40.5	-40.5	35.3	-35.3
	B	90.0	-129.4	90.0	-127.5	90.0	-121.6	90.0	-118.4	90.0	-116.7	70.7	-90.9	70.0	-90.0	70.0	-90.0	70.0	-90.0	70.0	-90.0	70.0	-90.0	70.0	-90.0
	C	57.6	-57.6	57.6	-57.6	54.1	-54.1	49.2	-49.2	43.1	-43.1	36.5	-36.5	50.0	-50.0	50.0	-50.0	50.0	-50.0	49.2	-49.2	43.1	-43.1	36.5	-36.5
57.000	A	49.4	-49.4	49.4	-49.4	43.4	-43.4	40.4	-40.4	37.6	-37.6	33.6	-33.6	43.4	-43.4	43.4	-43.4	43.4	-43.4	40.4	-40.4	37.6	-37.6	33.6	-33.6
	B	90.0	-123.3	89.8	-115.4	85.3	-109.6	82.6	-106.2	80.8	-103.9	70.1	-90.1	70.0	-90.0	70.0	-90.0	70.0	-90.0	70.0	-90.0	70.0	-90.0	70.0	-90.0
	C	51.1	-51.1	51.1	-51.1	50.4	-50.4	45.8	-45.8	39.9	-39.9	34.0	-34.0	50.0	-50.0	50.0	-50.0	50.0	-50.0	45.8	-45.8	39.9	-39.9	34.0	-34.0
60.000	A	46.7	-46.7	46.7	-46.7	40.9	-40.9	38.6	-38.6	35.8	-35.8	32.3	-32.3	40.9	-40.9	40.9	-40.9	40.9	-40.9	38.6	-38.6	35.8	-35.8	32.3	-32.3
	B	89.6	-115.2	83.7	-107.6	79.2	-101.8	76.5	-98.3	74.5	-95.7	70.0	-90.0	70.0	-90.0	70.0	-90.0	70.0	-90.0	70.0	-90.0	70.0	-90.0	70.0	-90.0
	C	48.6	-48.6	48.6	-48.6	47.5	-47.5	43.3	-43.3	37.8	-37.8	32.3	-32.3	47.5	-47.5	47.5	-47.5	47.5	-47.5	43.3	-43.3	37.8	-37.8	32.3	-32.3



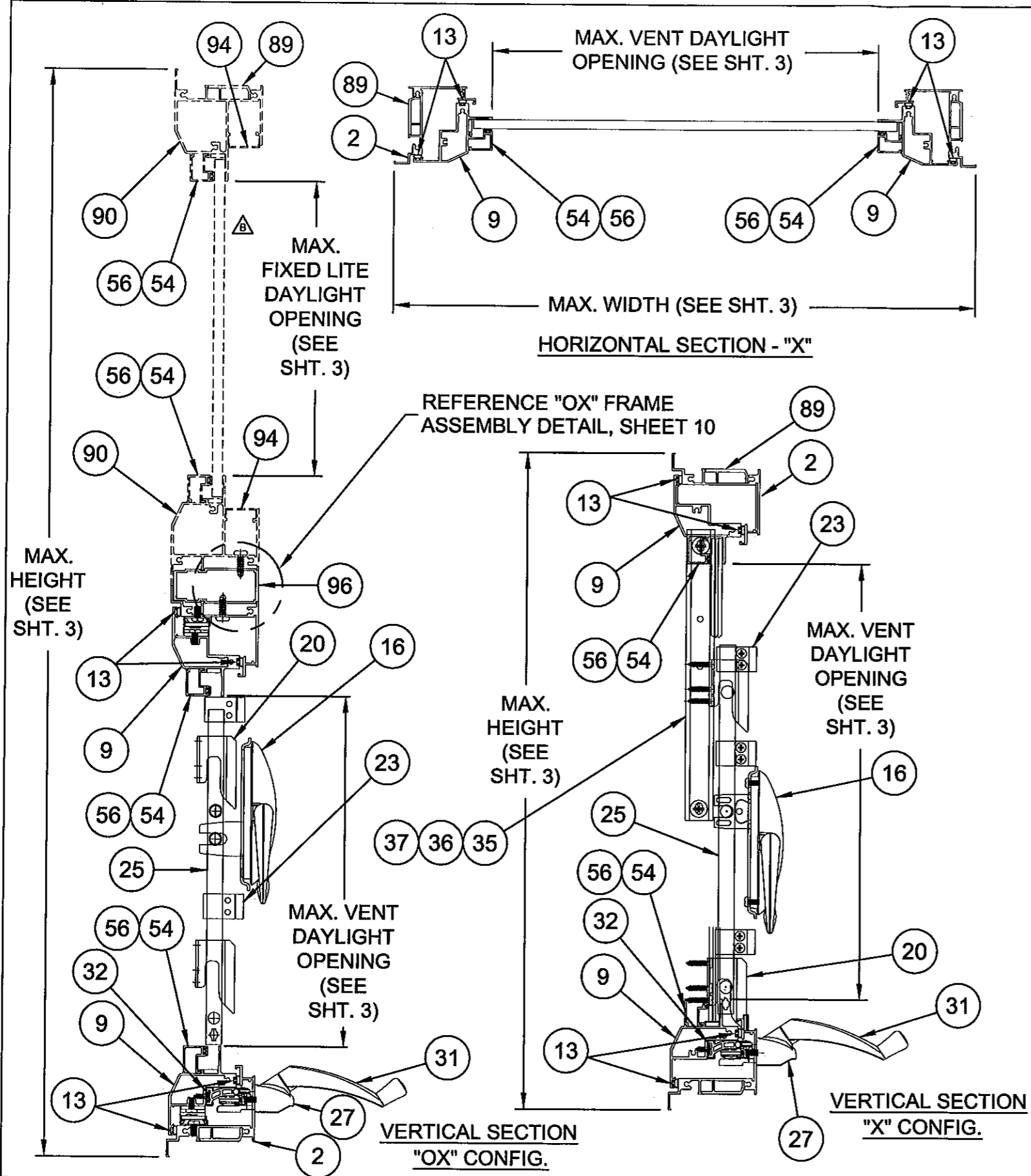
**NOTES:**

- FOR INSTALLATIONS IN WOOD OR CONCRETE TO THE FULL DESIGN PRESSURES IN THE ABOVE TABLE, USE 1/4" TAPCONS OR 1/4" CRETE-FLEX ANCHORS.
- IF INSTALLING WITH #12 SCREWS, DESIGN PRESSURE IS LIMITED TO 79.9 P.S.F.

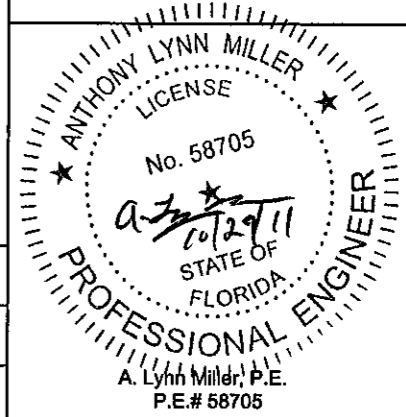
PRODUCT REVISED  
 as complying with the Florida  
 Building Code **11-1114.21**  
 Acceptance No  
 Expiration Date **11/20/2013**  
 By *[Signature]*  
 Miami Dade Product Control



Revsd By: F.K.	Date: 10/18/05	Revisions: A	REVISE ANCHORAGE	1070 TECHNOLOGY DRIVE NOKOMIS, FL 34275  P.O. BOX 1629 NOKOMIS, FL 34274	<b>PGT</b> Visibly Better	Description: DESIGN PRESSURES "OX" WINDOWS					
Revsd By: D.G.	Date: 09/02/08	Revisions: B	SHEET RENUMBERED			Title: ALUM. PROJECTED WINDOW, NON-IMPACT					
Revsd By: J.J.	Date: 10/24/11	Revisions: C	NO CHANGE THIS SHEET			Series/Model: CA-640	Scale: NTS	Sheet: 7 of 11	Drawing No. 7052-8	Rev: C	
Drawn By: F.K.	Date: 02/19/03	Checked By:	Date:								



PRODUCT REVISED  
 as complying with the Florida  
 Building Code  
 Acceptance No. 11-1114.21  
 Expiration Date 11/20/2013  
 By *[Signature]*  
 Miami Dade Product Control



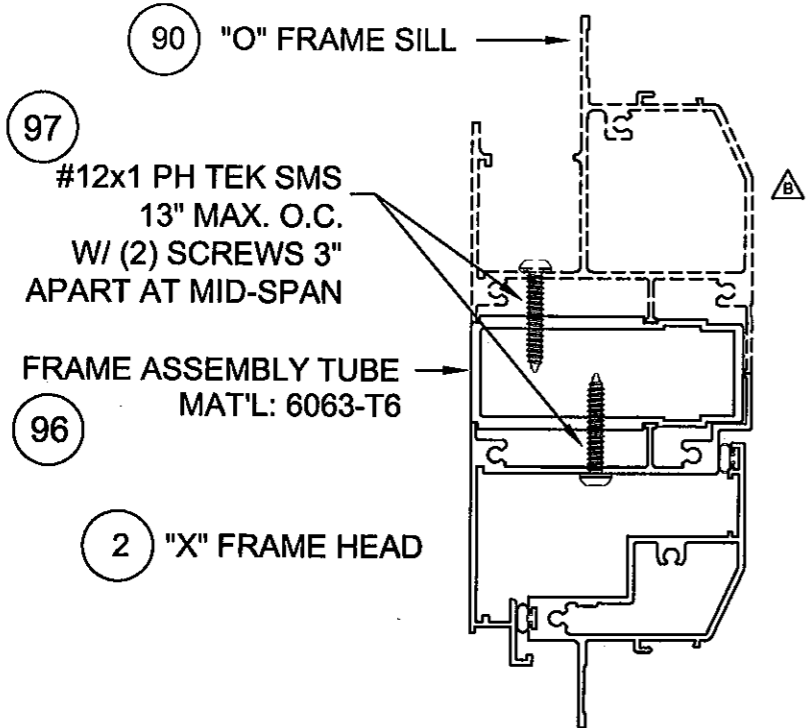
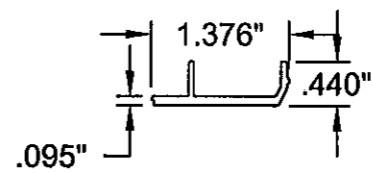
Revised By: F.K.	Date: 10/18/05	Revisions: A	ADD ITEM 89
Revised By: D.G.	Date: 09/02/08	Revisions: B	REMOVED "O" CONFIGURATION OR DASHED
Revised By: J.J.	Date: 10/24/11	Revisions: C	NO CHANGE THIS SHEET
Drawn By: F.K.	Date: 02/19/03	Checked By:	Date:

1070 TECHNOLOGY DRIVE  
 NOKOMIS, FL 34275  
 P.O. BOX 1529  
 NOKOMIS, FL 34274

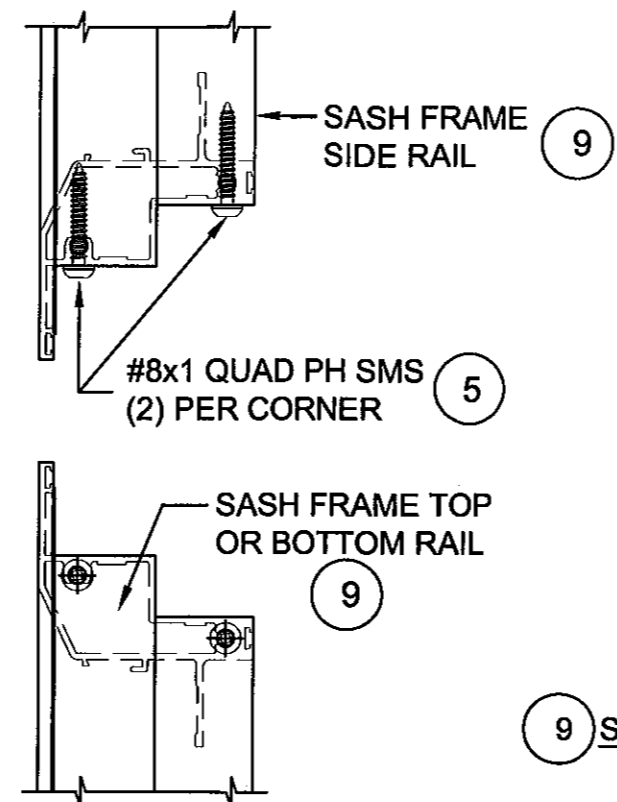


Description: SECTIONS			
Title: ALUM. PROJECTED WINDOW, NON-IMPACT			
Series/Model: CA-840	Scale: NTS	Sheet: 8 of 11	Drawing No. 7052-8
			Rev: C

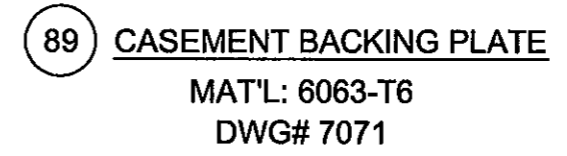
NOTE: ALL ALUMINUM SHALL BE OF 6063-T6



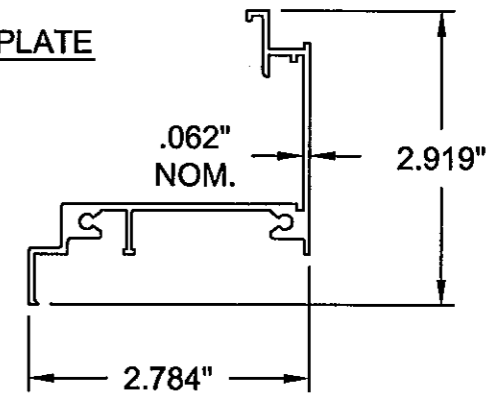
"OX" FRAME ASSEMBLY DETAIL



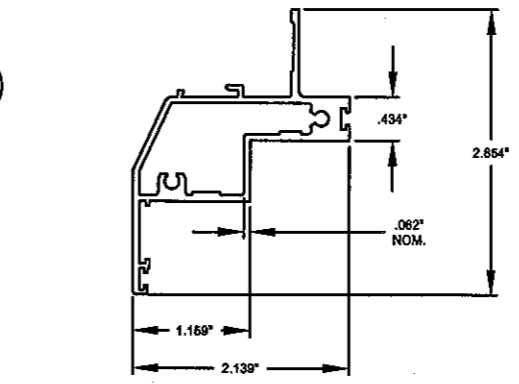
SASH FRAME ASSEMBLY DETAIL



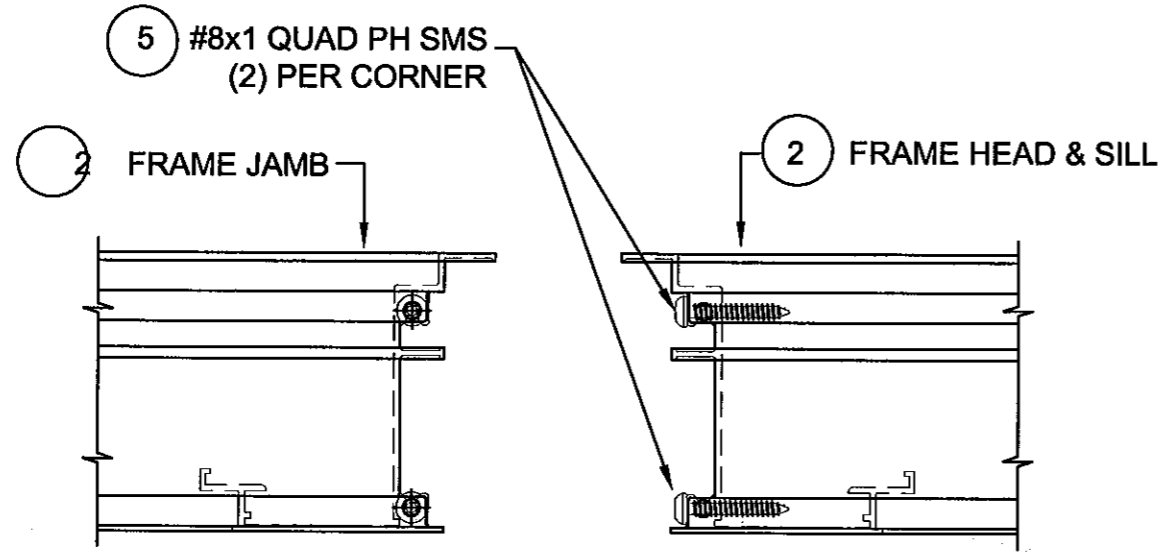
89 CASEMENT BACKING PLATE  
MAT'L: 6063-T6  
DWG# 7071



2 FRAME HEAD, SILL, JAMB  
MAT'L: 6063-T6  
DWG# 7002A

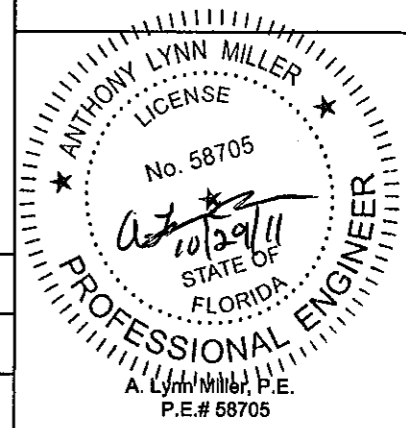


9 SASH FRAME HEAD, SILL, JAMB  
MAT'L: 6063-T6  
DWG# 7003A



MAIN FRAME ASSEMBLY DETAIL

PRODUCT REVISED  
as complying with the Florida  
Building Code 11-1114.21  
Acceptance No  
Expiration Date 11/20/2013  
By *[Signature]*  
Miami Dade Product Control



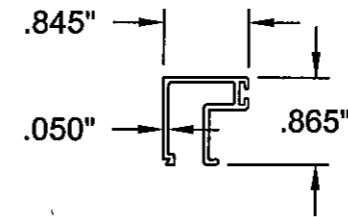
Revsd By: F.K.	Date: 10/18/05	Revisions: A	ADD ITEM 89
Revsd By: D.G.	Date: 09/02/08	Revisions: B	REMOVED OR DASHED "O" CONFIGURATION
Revsd By: J.J.	Date: 10/24/11	Revisions: C	NO CHANGE THIS SHEET
Drawn By: F.K.	Date: 02/19/03	Checked By:	Date:

1070 TECHNOLOGY DRIVE  
NOKOMIS, FL 34275  
P.O. BOX 1529  
NOKOMIS, FL 34274

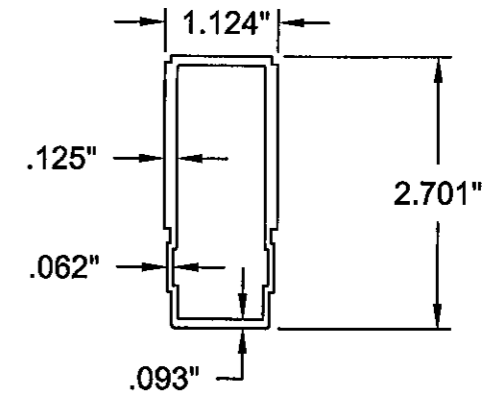


Description: EXTRUSIONS & ASSEMBLY DETAILS			
Title: ALUM. PROJECTED WINDOW, NON-IMPACT			
Series/Model: CA-640	Scale: NTS	Sheet: 9 of 11	Drawing No. 7052-8
			Rev: C

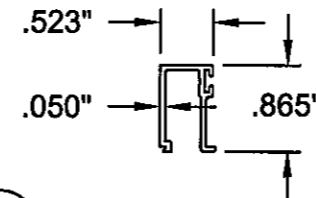
	ITEM	DWG #	PGT. #	DESCRIPTION
FRAME "X"	2	7002	67002A	MAIN FRAME HEAD, SILL AND JAMB
	5	1155	781PQA	#8 X 1 QUAD PN SMS
	6	7008	7MC7008	FRAME CORNER KEY
SASH	7	7048	77048K	1/2" X 1/2" X 1/8" CLOSED-CELL FOAM TAPE
	9	7003	67003A	SASH TOP, BOTTOM AND HINGED
	5	1155	781PQA	#8 X 1 QUAD PN SMS
	13	7017	67017K	BULB WEATHERSTRIP .187X.185
HARDWARE	14	7009	7MC7009	SASH CORNER KEY
	16	7024	7MC7024	TRUTH #24.30.XX.002, MAXIM MULTI- 2 POINT LOCK
	17	7026	7MC7026	TRUTH #23050.92, LOCK SUPPORT PLATE
	18		7MC1024PPF	TRUTH #19298, #10-24 X .562 PH. PN. TYPE F
	20	7014	7MC7014 RH/LH	TRUTH #40928 & #40929, MULTI-LOCK KEEPER (R.H. & L.H.)
	21	1157	78X12PPSMS	#8 X .500 PH. PN. SMS
	23	7013	7MC7013	TRUTH #31841, TIE BAR GUIDE
	24		78X1FPPSMS	#8 X 1.00 FH. PH. SMS
	25	7015	SEE CHART	TRUTH #11901.92 (14.9), TIE BAR ASSEMBLY
	27	7029	7MC7029	TRUTH #51.02.32.011, MAXIM PROJECTED OPERATOR
	28	7030	7MC7030	TRUTH #31882, OPERATOR GASKET
	29	7031	7MC7031	TRUTH #21641, BACKING PLATE
	30		7832X38PPMSA	#8-32 X .375 PH. PN. TYPE B
	31		7MC7022	TRUTH #11454, SNAP-ON HANDLE
	32	7034		TRUTH #11577, OPERATOR TRACK & SLIDER
	33		78X78PPSMS	#8 X .750 PH. PN. SMS
	35	7023	7MC7023	TRUTH #34.25.00.212, PROJECTED HINGE - 12"
	36	7023-2	7MC702316	TRUTH #34.27.00.104, PROJECTED HINGE - 16"
	37	7023-3	7MC702320	TRUTH #34.29.00.107, PROJECTED HINGE - 20"
	38		710X12PPSMS	#10 X .500 PH. PHL.
GLAZING	40			SILICONE - DOW CORNING 899, 995 OR EQUIVALENT
	41			3/16" ANNEALED GLASS
	42			3/16" TEMPERED GLASS
	43			1/2" I.G. GLASS (1/8" A, 1/4" SPACE, 1/8" A)
	44			1/8" ANNEALED (DSB) GLASS
	49			GLASS HEIGHT.
BEAD	50	1634	71634K	SETTING BLOCK 5/32" X 7/16" X 1" LG.
	54	7037	67037	GLAZING BEAD (DSB, 3/16) .187WT/FT.
	56	7042	67042	GLAZING BEAD (1/2" I.G., 7/16 LAM.).149
	58	7038	67038	GL BEAD DSB W/GR KIT
	59	7039	67039	GL BEAD 3/16" W/GR KIT
	64	1224	6TP247	VINYL BULB W STP (THICK)
	66	7006	67006	SCREEN FRAME
	68	7040	47040 W/B	SCREEN CORNER KEY
SCREEN	69			SCREEN CLOTH
	70	1635	61635K	SCREEN SPLINE - SERRATED
	71	331-A	60976	CASEMENT SCREEN CLIP
OPTIONS	72	1157	78X12PSTW/B	#8 X .500 SQ. PN. TEK SMS
	74	135	66389	ADD-ON FIN
	76	134	66615	ADD-ON FLANGE
	77		7MC30426	TRUTH #30476, CLERESTORY POLE
	78		7MC20550	TRUTH #20550, CLERESTORY ADAPTER
	79	7019	711573	TRUTH #11573, SNAP-ON T-HANDLE KNOB
	80	7018	7FLDHD	TRUTH #11329, FOLDING HANDLE
	89	7071	67071	CASEMENT BACKING PLATE (SEE NOTE 4, SHEET 11)



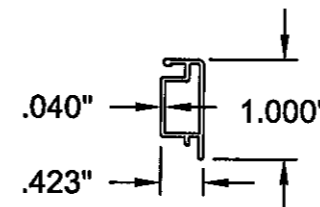
54 1/8" OR 3/16" GLAZING BEAD  
MAT'L: 6063-T6  
DWG# 7037



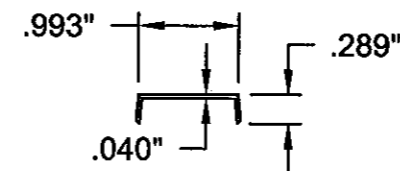
96 CASEMENT FRAME  
ASSEMBLY TUBE  
MAT'L: 6063-T6  
DWG# 7004A



56 1/2" I.G. GLAZING BEAD  
MAT'L: 6063-T6  
DWG# 7042

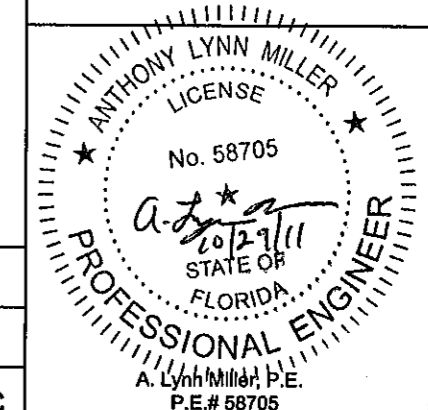


66 CASEMENT SCREEN FRAME  
MAT'L: 6063-T6  
DWG# 7006



94 INSTALLATION HOLE COVER  
MAT'L: 6063-T6  
DWG# 7007

PRODUCT REVISED  
as complying with the Florida  
Building Code  
Acceptance No. 11-1114.21  
Expiration Date 11/20/2013  
by *[Signature]*  
Miami Dade Product Control

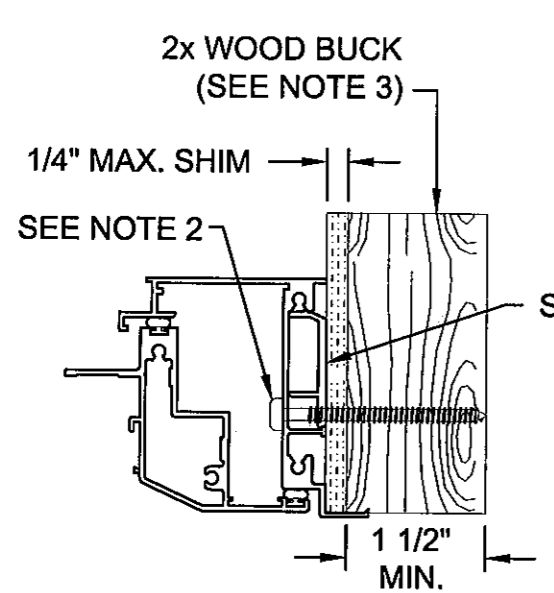


Revised By: F.K.	Date: 10/18/05	Revisions: A	ADD EQUIV. TO ITEM 40, SILICONE AND ADD ITEM 89
Revised By: D.G.	Date: 09/02/08	Revisions: B	REMOVED FIXED ("O") PARTS FROM B.O.M.
Revised By: J.J.	Date: 10/24/11	Revisions: C	NO CHANGE THIS SHEET
Drawn By: F.K.	Date: 02/19/03	Checked By:	Date:

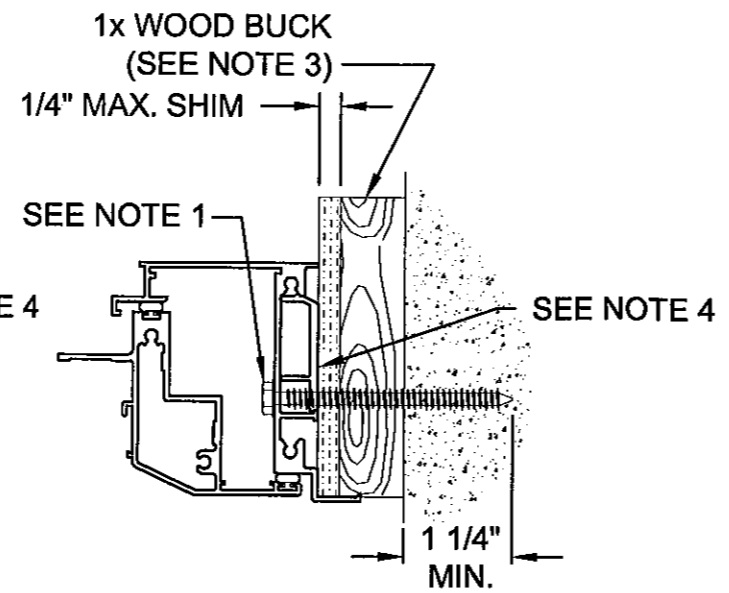
1070 TECHNOLOGY DRIVE  
NOKOMIS, FL 34275  
P.O. BOX 1529  
NOKOMIS, FL 34274



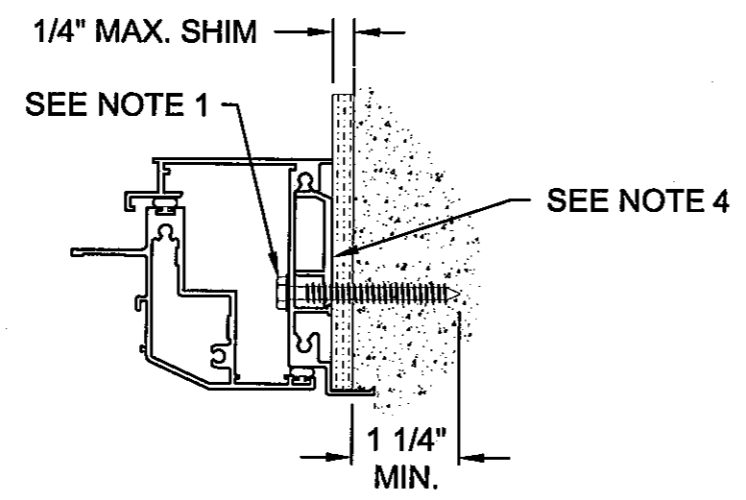
Description: PARTS LIST & EXTRUSIONS			
Title: ALUM. PROJECTED WINDOW, NON-IMPACT			
Series/Model: CA-640	Scale: NTS	Sheet: 10 of 11	Drawing No. 7052-8
Rev: C			



**OPERABLE UNIT FRAME  
TO WOOD BUCK  
1 1/2" OR MORE THICK**



**OPERABLE UNIT FRAME  
TO CONCRETE W/ WOOD BUCK  
LESS THAN 1 1/2" THICK**



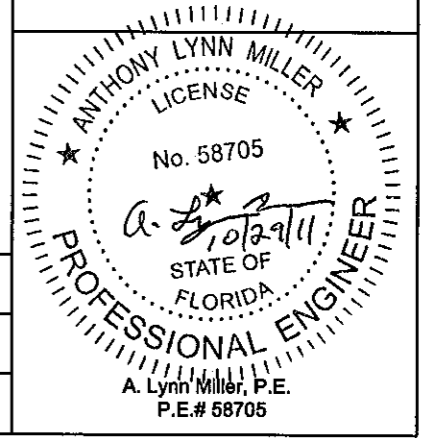
**OPERABLE UNIT FRAME  
TO CONCRETE**

**NOTE: ALL DETAILS  
APPLY TO HEAD,  
SILL, AND JAMB.**

**NOTES:**

1. FOR CONCRETE APPLICATIONS IN MIAMI-DADE COUNTY, USE ONLY MIAMI-DADE COUNTY APPROVED 1/4" ELCO TAPCONS OR 1/4" SS4 CRETE-FLEX CONCRETE ANCHORS. MINIMUM DISTANCE FROM ANCHOR TO CONCRETE EDGE IS 2 1/2". SEE SHEET 1 FOR SPACING.
2. FOR WOOD APPLICATIONS IN MIAMI-DADE COUNTY, USE #12 SCREWS, 1/4" ELCO TAPCONS OR 1/4" ELCO SS4 CRETE-FLEX. SEE SHEET 1 FOR SPACING.
3. WOOD BUCKS DEPICTED IN THE SECTIONS ON THIS PAGE AS 1x ARE BUCKS WHOSE TOTAL THICKNESS IS LESS THAN 1 1/2". 1x WOOD BUCKS ARE OPTIONAL IF UNIT IS INSTALLED DIRECTLY TO SOLID CONCRETE. WOOD BUCKS DEPICTED AS 2x ARE 1 1/2" THICK OR GREATER. INSTALLATION TO THE SUBSTRATE OF WOOD BUCKS TO BE ENGINEERED BY OTHERS OR AS APPROVED BY AUTHORITY HAVING JURISDICTION.
4. ITEM 89, BACKING PLATE, NOT REQUIRED FOR INSTALLATIONS OUTSIDE OF MIAMI-DADE COUNTY.

**PRODUCT REVISED**  
as complying with the Florida  
Building Code  
Acceptance No. **11-1114.21**  
Expiration Date **11/20/2013**  
By *[Signature]*  
Miami Dade Product Control



Revsd By: F.K.	Date: 10/18/05	Revisions: A	REVISE ANCHORAGE AND NOTES
Revsd By: D.G.	Date: 09/02/08	Revisions: B	REMOVED "O" ANCHORAGE DETAILS
Revsd By: J.J.	Date: 10/24/11	Revisions: C	NO CHANGE THIS SHEET
Drawn By: F.K.	Date: 02/19/03	Checked By:	Date:

1070 TECHNOLOGY DRIVE  
NOKOMIS, FL 34275  
P.O. BOX 1529  
NOKOMIS, FL 34274



Description: <b>ANCHORAGE DETAILS</b>			
Title: <b>ALUM. PROJECTED WINDOW, NON-IMPACT</b>			
Series/Model: CA-640	Scale: NTS	Sheet: 11 of 11	Drawing No. 7052-8
			Rev: C