



DEPARTMENT OF PERMITTING, ENVIRONMENT, AND REGULATORY
AFFAIRS (PERA)
BOARD AND CODE ADMINISTRATION DIVISION

MIAMI-DADE COUNTY, FLORIDA
PRODUCT CONTROL SECTION
11805 SW 26 Street, Room 208
Miami, Florida 33175-2474
T (786) 315-2590 F (786) 315-2599

NOTICE OF ACCEPTANCE (NOA)

www.miamidade.gov/pera/

PGT Industries
1070 Technology Drive
Nokomis, FL 34275

SCOPE:

This NOA is being issued under the applicable rules and regulations governing the use of construction materials. The documentation submitted has been reviewed and accepted by Miami-Dade County PERA-Product Control Section to be used in Miami-Dade County and other areas where allowed by the Authority Having Jurisdiction (AHJ).

This NOA shall not be valid after the expiration date stated below. The Miami-Dade County Product Control Section (In Miami-Dade County) and/or the AHJ (in areas other than Miami-Dade County) reserve the right to have this product or material tested for quality assurance purposes. If this product or material fails to perform in the accepted manner, the manufacturer will incur the expense of such testing and the AHJ may immediately revoke, modify, or suspend the use of such product or material within their jurisdiction. PERA reserves the right to revoke this acceptance, if it is determined by Miami-Dade County Product Control Section that this product or material fails to meet the requirements of the applicable building code.

This product is approved as described herein, and has been designed to comply with the Florida Building Code, including the High Velocity Hurricane Zone.

DESCRIPTION: Series "AW 2740/ 2840" White PVC Awning Window – L.M.I.

APPROVAL DOCUMENT: Drawing No. **08-00880**, titled "Series AW 2740PVC Awning Window Impact & AW 2840 PVC Awning Window Impact", sheets 1 through 6 of 6, dated 10/20/09 with revision "D" dated 10/27/11, signed and sealed by Anthony Lynn Miller, P. E., bearing the Miami-Dade County Product Control Revision stamp with the Notice of Acceptance number and Expiration date by the Miami-Dade County Product Control Section.

MISSILE IMPACT RATING: Large and Small Missile Impact Resistant.

LABELING: Each unit shall bear a permanent label with the manufacturer's name or logo, city, state, model/ series and following statement: "Miami-Dade County Product Control Approved" unless otherwise noted herein.

RENEWAL of this NOA shall be considered after a renewal application has been filed and there has been no change in the applicable building code negatively affecting the performance of this product.

TERMINATION of this NOA will occur after the expiration date or if there has been a revision or change in the materials, use, and/or manufacture of the product or process. Misuse of this NOA as an endorsement of any product, for sales, advertising or any other purposes shall automatically terminate this NOA. Failure to comply with any section of this NOA shall be cause for termination and removal of NOA.

ADVERTISEMENT: The NOA number preceded by the words Miami-Dade County, Florida, and followed by the expiration date may be displayed in advertising literature. If any portion of the NOA is displayed, then it shall be done in its entirety.

INSPECTION: A copy of this entire NOA shall be provided to the user by the manufacturer or its distributors and shall be available for inspection at the job site at the request of the Building Official.

This NOA revises NOA No. **09-1103.06** and consists of this page 1, evidence pages E-1 and E-2, as well as approval document mentioned above.

The submitted documentation was reviewed by **Jaime D. Gascon, P. E.**



J. Gascon
1/25/12

NOA No. 11-1114.23
Expiration Date: August 11, 2015
Approval Date: February 02, 2012
Page 1

NOTICE OF ACCEPTANCE: EVIDENCE SUBMITTED

A. DRAWINGS

1. Manufacturer's die drawings and sections.
(Submitted under previous NOA No. 09-1103.06)
2. Drawing No. **08-00880**, titled "Series AW 2740 PVC Awning Window Impact & AW 2840 PVC Awning Window Impact", sheets 1 through 6 of 6, dated 10/20/09 with revision "**D**" dated 10/27/11, signed and sealed by Anthony Lynn Miller, P. E.

B. TESTS

1. Test reports on:
 - 1) Air Infiltration Test, per FBC, TAS 202-94
 - 2) Uniform Static Air Pressure Test, Loading per FBC, TAS 202-94
 - 3) Water Resistance Test, per FBC, TAS 202-94
 - 4) Large Missile Impact Test, per FBC, TAS 201-94
 - 5) Cyclic Wind Pressure Loading, per FBC, TAS 203-94
 - 6) Forced Entry Test, per FBC 2411 3.2.1 and TAS 202-94

Along with marked-up drawings and installation diagram of PVC awning window, prepared by National Certified Testing Laboratories, Inc., Test Reports No.'s **NCTL 210-3633-1** and **NCTL 210-3633-2A**, dated 12/04/2007 and 05/28/2008, both signed and sealed by Gerard J. Ferrara, P. E.
(Submitted under previous NOA No. 09-1103.06)

C. CALCULATIONS

1. Anchor calculations and structural analysis, dated 05/04/10 complying with FBC-2007, prepared by manufacture, signed and sealed by Luis R. Lomas, P. E.
(Submitted under previous NOA No. 09-1103.06)
2. **Glazing complies with ASTM E1300-02/ 04**

D. QUALITY ASSURANCE

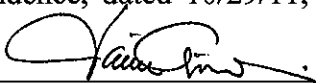
1. Miami-Dade Department of Permitting, Environment, and Regulatory Affairs (PERA)

E. MATERIAL CERTIFICATIONS

1. Notice of Acceptance No. **11-0624.01** issued to **E.I. DuPont DeNemours & Co., Inc.** for their "**DuPont Butacite® PVB Interlayer**" dated 09/08/11, expiring on 12/11/16.
2. Notice of Acceptance No. **11-0624.02** issued to **E.I. DuPont DeNemours & Co., Inc.** for their "**DuPont SentryGlas® Interlayer**" dated 08/25/11, expiring on 01/14/17.

F. STATEMENTS

1. Statement letter of conformance and compliance with the FBC-2007 (with the 2009 supplement) and FBC-2010, dated 10/29/11, signed and sealed by Anthony Lynn Miller, P. E.
2. Statement letter of no financial interest and independence, dated 10/29/11, signed and sealed by Anthony Lynn Miller, P. E.



Jaime D. Gascon, P. E.

Product Control Section Supervisor
NOA No. 11-1114.23

Expiration Date: August 11, 2015

Approval Date: February 02, 2012

NOTICE OF ACCEPTANCE: EVIDENCE SUBMITTED

F. STATEMENTS (CONTINUED)

3. Letter of *Adoption of as his Own, the Work of another Engineer* per Section 61G15-27.001 of the F.B.P.E., dated 10/07/11 signed and sealed by Anthony Lynn Miller, P. E.
4. Statement letter of no financial interest, independence, conformance and compliance with the FBC-2007, dated 10/20/09, signed and sealed by Luis R. Lomas, P. E.
(Submitted under previous NOA No. 09-1103.06)
5. Laboratory addendum letter for Test Reports No.'s NCTL 210-3633-1 and NCTL 210-3633-2A, issued by National Certified Testing Laboratories, Inc., dated 04/06/2010, signed and sealed by Gerard J. Ferrara, P. E.
(Submitted under previous NOA No. 09-1103.06)
6. Laboratory compliance letters for Test Reports No.'s NCTL 210-3633-1 and NCTL 210-3633-2A, issued by National Certified Testing Laboratories, Inc., dated 12/04/2007 and 05/28/2008, signed and sealed by Gerard J. Ferrara, P. E.
(Submitted under previous NOA No. 09-1103.06)

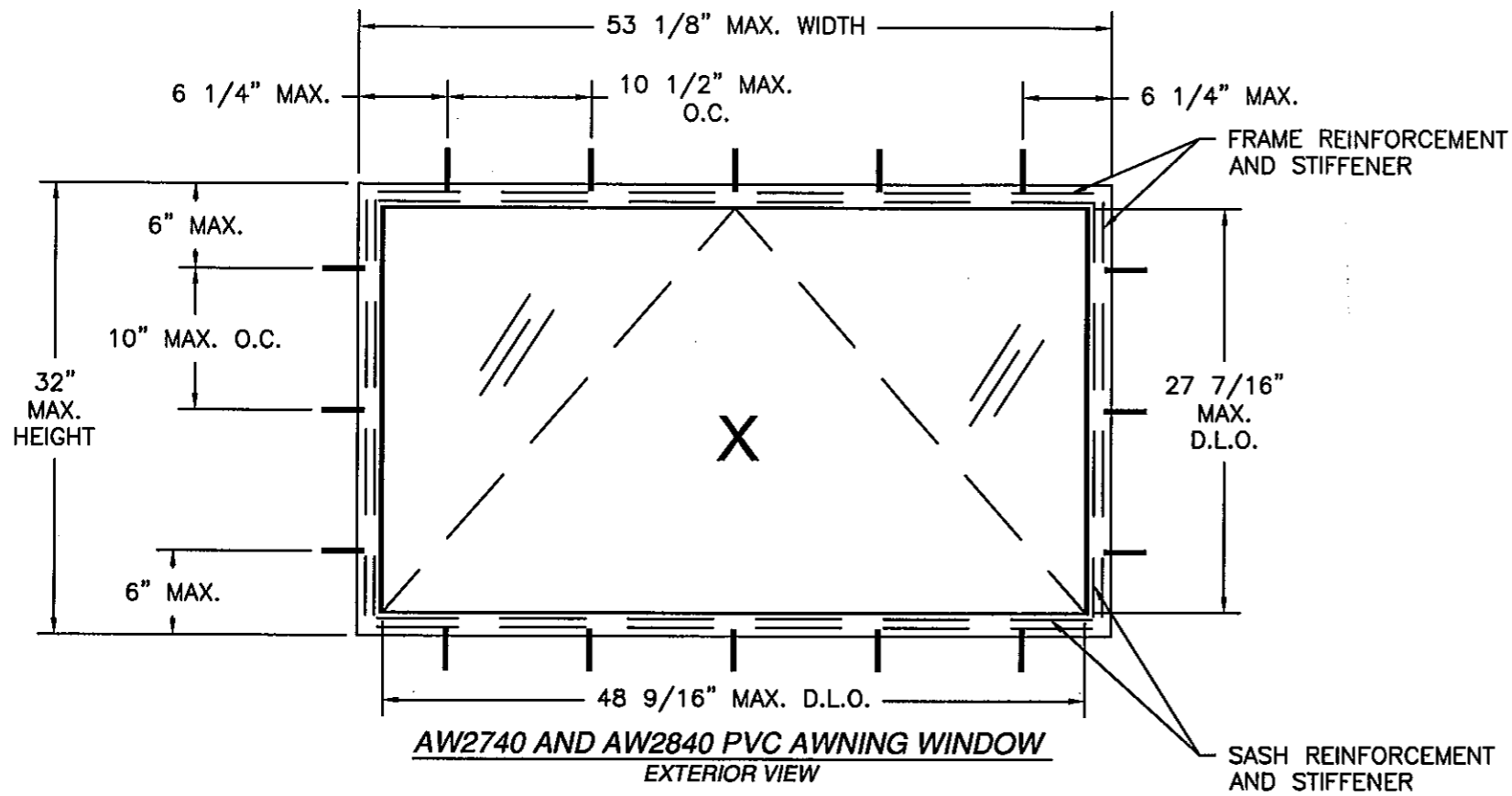
G. OTHERS

1. Notice of Acceptance No. 09-1103.06, issued to PGT Industries for their Series "AW 2740/ 2840" White PVC Awning Window - L.M.I." approved on 08/11/10 and expiring on 08/11/15.



Jaime D. Gascon, P. E.
Product Control Section Supervisor
NOA No. 11-1114.23
Expiration Date: August 11, 2015
Approval Date: February 02, 2012

REVISIONS			
REV	DESCRIPTION	DATE	APPROVED
B	ADDED "WHITE" TO ALL PVC COMPONENTS	07/08/10	R.L.
C	CORRECTED TITLES FOR D.P. CHARTS	08/02/10	R.L.
D	2010 FBC UPDATE	10/27/11	J.J.



NOTES:

- 1) THE PRODUCT SHOWN HEREIN IS DESIGNED AND MANUFACTURED TO COMPLY WITH REQUIREMENTS OF THE FLORIDA BUILDING CODE.
- 2) WOOD FRAMING AND MASONRY OPENING TO BE DESIGNED AND ANCHORED TO PROPERLY TRANSFER ALL LOADS TO STRUCTURE. FRAMING AND MASONRY OPENING IS THE RESPONSIBILITY OF THE ARCHITECT OR ENGINEER OF RECORD.
- 3) UNITS MUST BE GLAZED WITH 7/8" IGU LAMINATED OR 3/8" LAMINATED GLASS PER ASTM E1300 SEE SHEET 5 FOR APPROVED GLASS TYPES.
- 4) APPROVED IMPACT PROTECTIVE SYSTEM IS NOT REQUIRED FOR THIS PRODUCT IN WIND-BORNE DEBRIS REGIONS.
- 5) SHIM AS REQUIRED AT EACH INSTALLATION ANCHOR WITH LOAD BEARING SHIM. SHIM WHERE SPACE OF 1/16" OR GREATER OCCURS. MAXIMUM ALLOWABLE SHIM STACK TO BE 1/4".
- 6) FOR INSTALLATION INTO WOOD FRAMING OR 2X BUCK USE #8 WOOD SCREW WITH SUFFICIENT LENGTH TO ACHIEVE A 1 3/16" MINIMUM EMBEDMENT INTO SUBSTRATE. LOCATE ANCHORS AS SHOWN IN ELEVATIONS AND INSTALLATION DETAILS.
- 7) FOR INSTALLATION INTO CONCRETE/MASONRY USE 3/16" ITW TAPCON WITH SUFFICIENT LENGTH TO ACHIEVE A 1 1/4" MINIMUM EMBEDMENT INTO SUBSTRATE AND 2 5/8" MINIMUM EDGE DISTANCE. LOCATE ANCHORS AS SHOWN IN ELEVATIONS AND INSTALLATION DETAILS.
- 8) FOR ANCHORING INTO METAL FRAMING USE #8 TEK SELF TAPPING SCREWS WITH SUFFICIENT LENGTH TO ACHIEVE A MINIMUM EMBEDMENT OF THREE THREADS PAST THE FRAME THICKNESS. LOCATE ANCHORS AS SHOWN IN ELEVATIONS AND INSTALLATION DETAILS.
- 9) ALL FASTENERS TO BE CORROSION RESISTANT.
- 10) INSTALLATION ANCHORS SHALL BE INSTALLED IN ACCORDANCE WITH ANCHOR MANUFACTURER'S INSTALLATION INSTRUCTIONS, AND ANCHORS SHALL NOT BE USED IN SUBSTRATES WITH STRENGTHS LESS THAN THE MINIMUM STRENGTH SPECIFIED BELOW:
 - A. WOOD - MINIMUM SPECIFIC GRAVITY OF G=0.42
 - B. CONCRETE - MINIMUM COMPRESSIVE STRENGTH OF 3,200 PSI.
 - C. MASONRY - STRENGTH CONFORMANCE TO ASTM C-90, GRADE N, TYPE 1 (OR GREATER).
 - D. METAL FRAMING - 16GA (.060) MINIMUM THICKNESS
- 11) ALLOWABLE STRESS INCREASE OF 1/3 WAS NOT USED IN THE DESIGN OF THE PRODUCT SHOWN HEREIN. WIND LOAD DURATION FACTOR Cd=1.6 WAS USED FOR WOOD ANCHOR CALCULATIONS.
- 12) FRAME MATERIAL: EXTRUDED WHITE RIGID PVC .105" THICK.
SASH MATERIAL: EXTRUDED WHITE RIGID PVC .100" THICK.
- 13) AW2740 UNITS TO BE GLAZED WITH BUTACITE PVB INNERLAYER, GLAZING TYPES B, E AND F. AW2840 UNITS TO BE GLAZED WITH SENTRY GLASPLUS INNERLAYER, GLAZING TYPES A,C AND D. ALL OTHER COMPONENTS IN AW2740 AND AW2840 ARE SAME.

AW2740 WITH GLAZING TYPES B, E & F

DESIGN PRESSURE RATING	IMPACT RATING
+ 65.0 PSF - 80.0 PSF	LARGE AND SMALL MISSILE IMPACT

AW2840 FLANGE AND BOX WINDOWS WITH GLAZING TYPES A, C & D

DESIGN PRESSURE RATING	IMPACT RATING
+ 75.0 PSF - 100.0 PSF	LARGE AND SMALL MISSILE IMPACT

AW2840 FIN WINDOWS WITH GLAZING TYPES A, C & D

DESIGN PRESSURE RATING	IMPACT RATING
+ 65.0 PSF - 80.0 PSF	LARGE AND SMALL MISSILE IMPACT

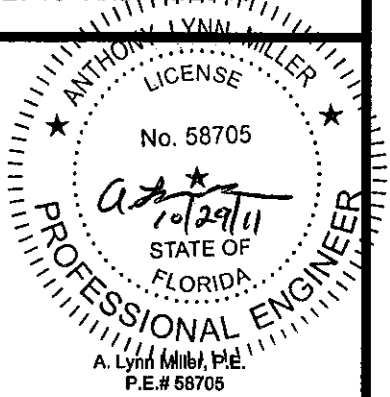
TABLE OF CONTENTS	
SHEET NO.	DESCRIPTION
1	ELEVATION, ANCHORING AND NOTES
2	BILL OF MATERIALS AND CROSS SECTIONS
3 - 4	INSTALLATION DETAILS
5	GLAZING DETAILS
6	COMPONENTS

PRODUCT REVISED as complying with the Florida Building Code
 Acceptance No. 11-11423
 Expiration Date 02/11/2015
 By *[Signature]*
 Miami Dade Product Control

PGT INDUSTRIES
 1070 TECHNOLOGY DRIVE
 NOKOMIS, FL 34275

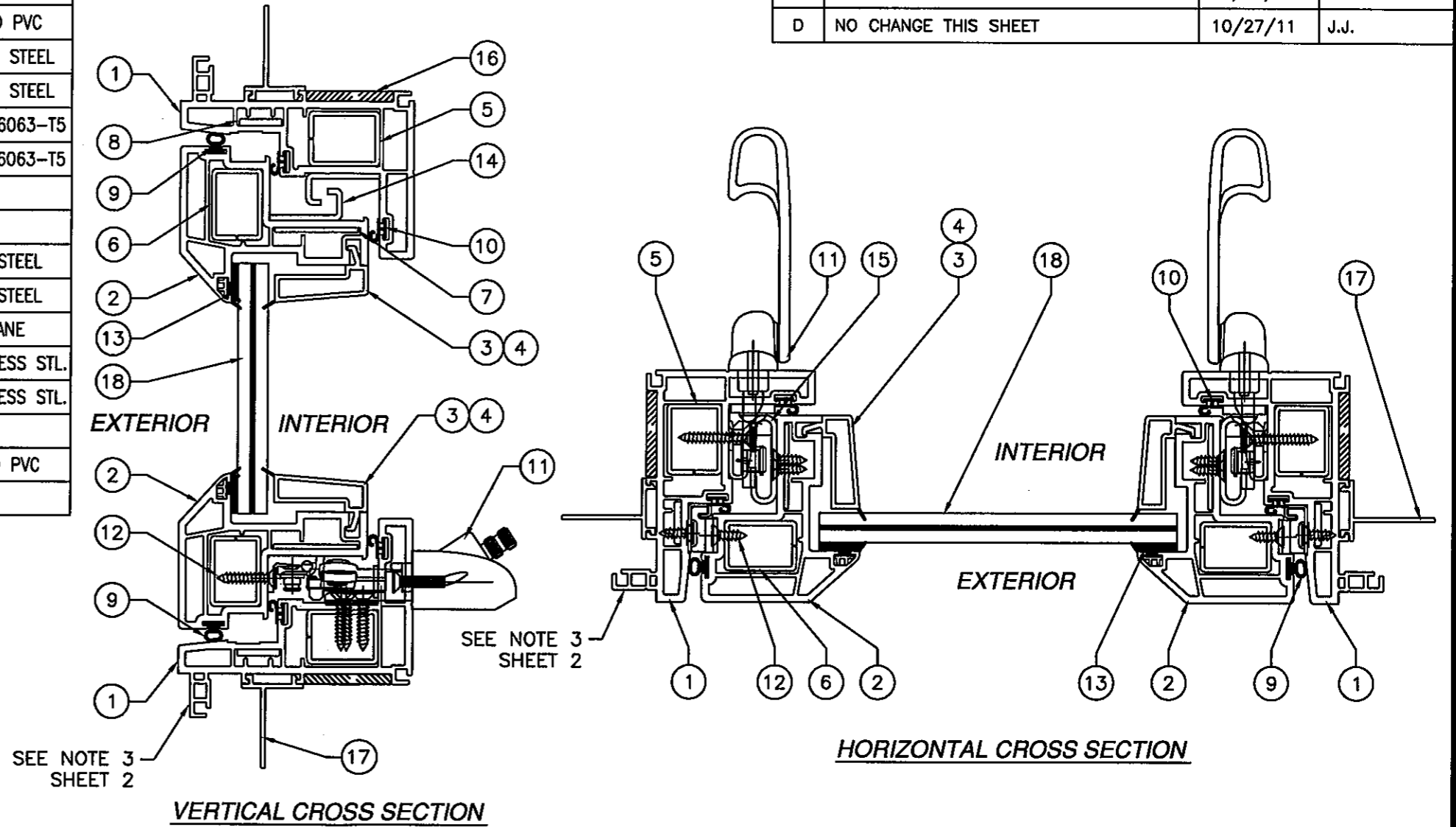
AW2740 PVC AWNING WINDOW IMPACT
 AW2840 PVC AWNING WINDOW IMPACT
 ELEVATION, ANCHORING AND NOTES

DRAWN: TJH	DWG NO. 08-00880	REV D
SCALE NTS	DATE 10/20/09	SHEET 1 OF 6



PARTS LIST				
NO.	PART NUMBER	DESCRIPTION	MANUFACTURER	MATERIAL
1	8290	FRAME HEAD, JAMB & SILL	LB PLASTICS INC.	WHITE RIGID PVC
2	8290-1	SASH TOP, BOTTOM & VERTICAL	LB PLASTICS INC.	WHITE RIGID PVC
3	8294	7/16" GLAZING BEAD	LB PLASTICS INC.	WHITE RIGID PVC
4	8213	I.G. GLAZING BEAD	LB PLASTICS INC.	WHITE RIGID PVC
5	ST1007B	FRAME REINFORCEMENT HOT DIPPED	HYGRADE	A653 GALV. STEEL
6	ST1007B	SASH REINFORCEMENT HOT DIPPED	HYGRADE	A653 GALV. STEEL
7	OC-4952	SASH STIFFENER	EASTERN METALS	ALUMINUM 6063-T5
8	OC-4932	FRAME STIFFENER	EASTERN METALS	ALUMINUM 6063-T5
9	LBP-1375	BULB SEAL, SASH	REED RUBBER	65A TPE
10	LBP-1376	FRAME GASKET	REED RUBBER	65A TPE
11	OP06754100	X DRIVE AWNING OPERATOR ASSY	ROTO HARDWARE	STAINLESS STEEL
12	D1HW8X3/4-410	#8 FH TEK SCREW	GLF	STAINLESS STEEL
13	SIKAFLEX 552	GLAZING COMPOUND	SIKA	POLYURETHANE
14	NHC50038SS	SNUBBER	IPS	318 STAINLESS STL.
15	NHC50037SS	KEEPER	IPS	318 STAINLESS STL.
16	2NB-8K-038	RIGID FILLER DUROMETER 85	FRANK LOWE	NEOPRENE
17	8343	FIN ADAPTER	LB PLASTICS INC.	WHITE RIGID PVC
18		IMPACT GLAZING SEE SHEET 5		

REVISIONS			
REV	DESCRIPTION	DATE	APPROVED
A	PER DADE LETTER DATED 2-4-10	03/25/10	R.L.
B	ADDED "WHITE" TO ALL PVC COMPONENTS	07/08/10	R.L.
C	CORRECTED TITLES FOR D.P. CHARTS	08/02/10	R.L.
D	NO CHANGE THIS SHEET	10/27/11	J.J.



CONSTRUCTION NOTES:

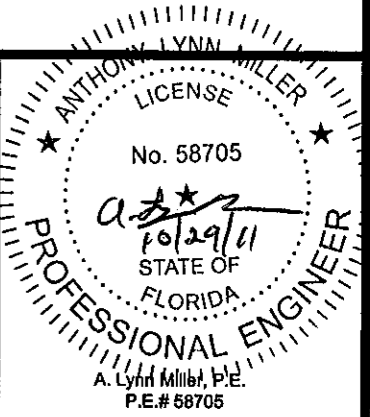
- 1) FRAME HEAD, JAMBS AND SILL ARE EXTRUDED RIGID PVC LINEALS AND UTILIZE A GALVANIZED A653 STEEL REINFORCING BAR. ALL CORNERS ARE MITERED AND WELDED.
- 2) ACTIVE SASH VERTICAL AND HORIZONTAL MEMBERS ARE EXTRUDED RIGID PVC LINEALS AND UTILIZE A GALVANIZED A653 STEEL REINFORCING BAR. ALL CORNERS ARE MITERED AND WELDED.
- 3) ITEM #17, FIN ADAPTER, IS A NON-STRUCTURAL ADD-ON PART. MASONRY FLANGE IS EXTRUDED INTO FRAME. WHEN UNIT IS NOT INSTALLED INTO A MASONRY SUBSTRATE FLANGE MAY BE SCORED AND REMOVED BEFORE INSTALLATION. SEE INSTALLATION DETAILS SHEETS 3-4.
- 4) WHITE PVC EXTRUSIONS TO BE LABELED WITH AAMA EXTRUDED CODE, EXTRUDER NAME, CITY, STATE AND MDCA.

PRODUCT REVISED
 is complying with the Florida
 Building Code
 Acceptance No. 11-1114-23
 Expiration Date 02/11/2015
 3y
 Miami Dade Product Control

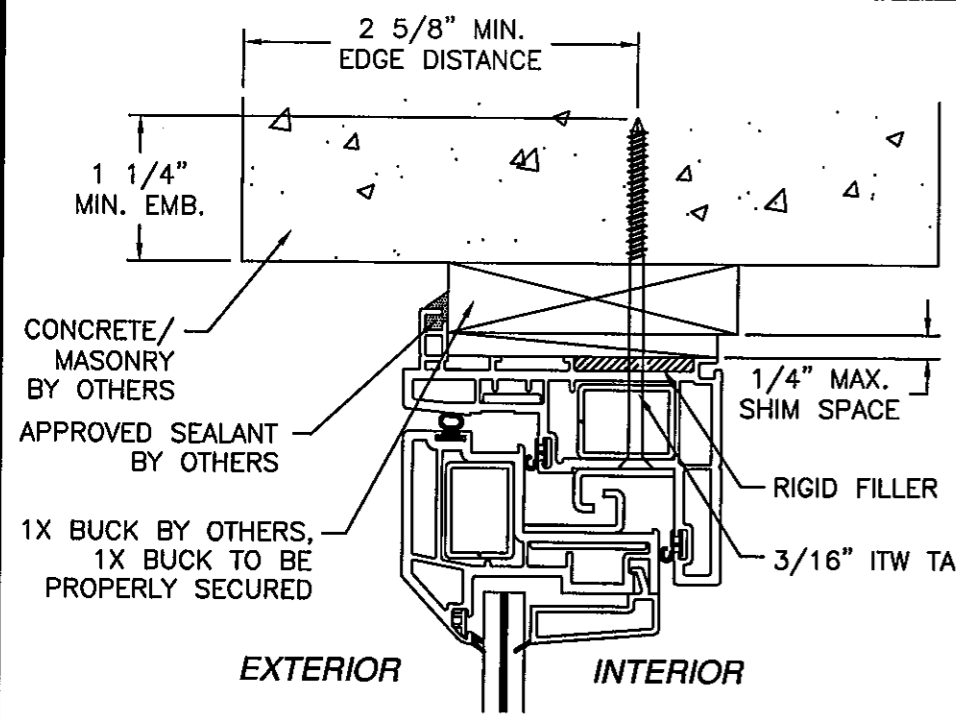
PGT INDUSTRIES
 1070 TECHNOLOGY DRIVE
 NOKOMIS, FL 34275

AW2740 PVC AWNING WINDOW IMPACT
 AW2840 PVC AWNING WINDOW IMPACT
 BILL OF MATERIALS AND CROSS SECTIONS

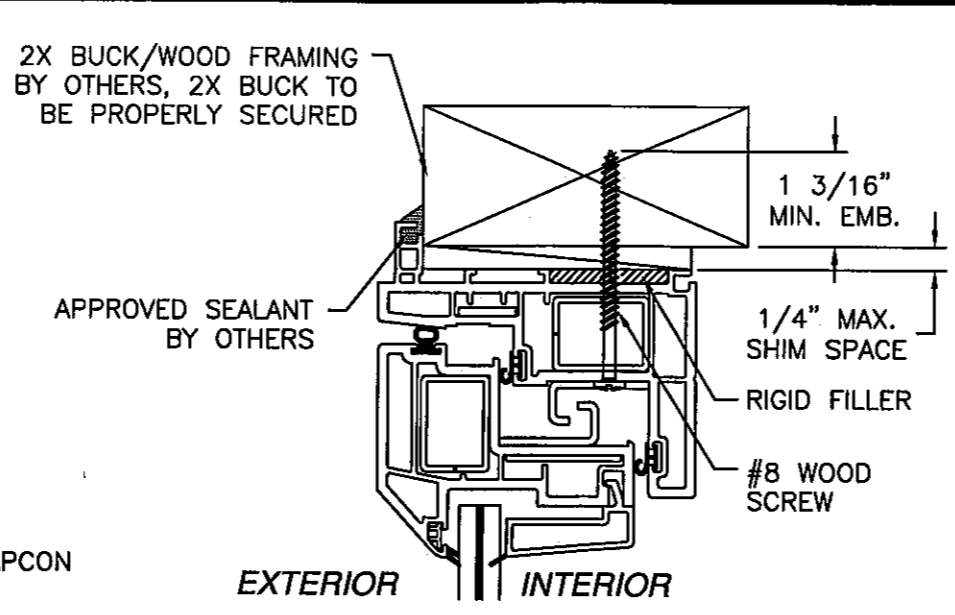
DRAWN: TJH	DWG NO. 008-00880	REV D
SCALE NTS	DATE 10/20/09	SHEET 2 OF 6



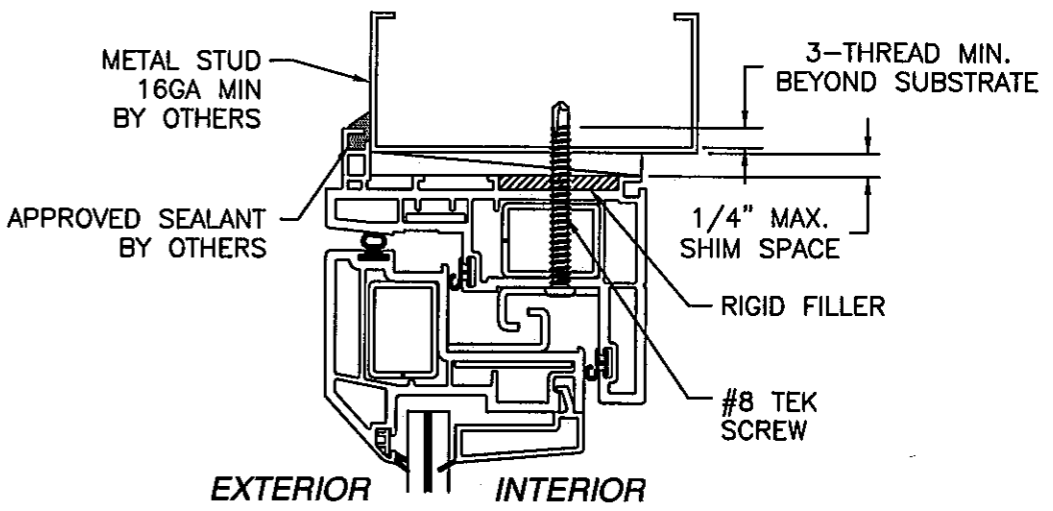
REVISIONS			
REV	DESCRIPTION	DATE	APPROVED
B	ADDED "WHITE" TO ALL PVC COMPONENTS	07/08/10	R.L.
C	CORRECTED TITLES FOR D.P. CHARTS	08/02/10	R.L.
D	NO CHANGE THIS SHEET	10/27/11	J.J.



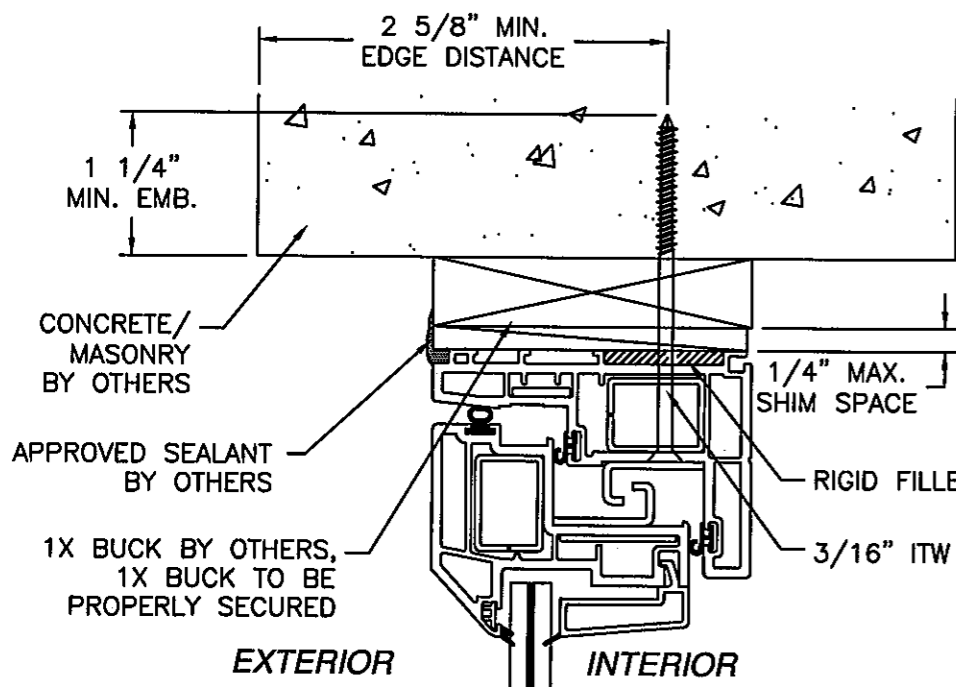
HEAD
CONCRETE/MASONRY FLANGE INSTALLATION
HEAD SHOWN, JAMBS AND SILL SIMILAR



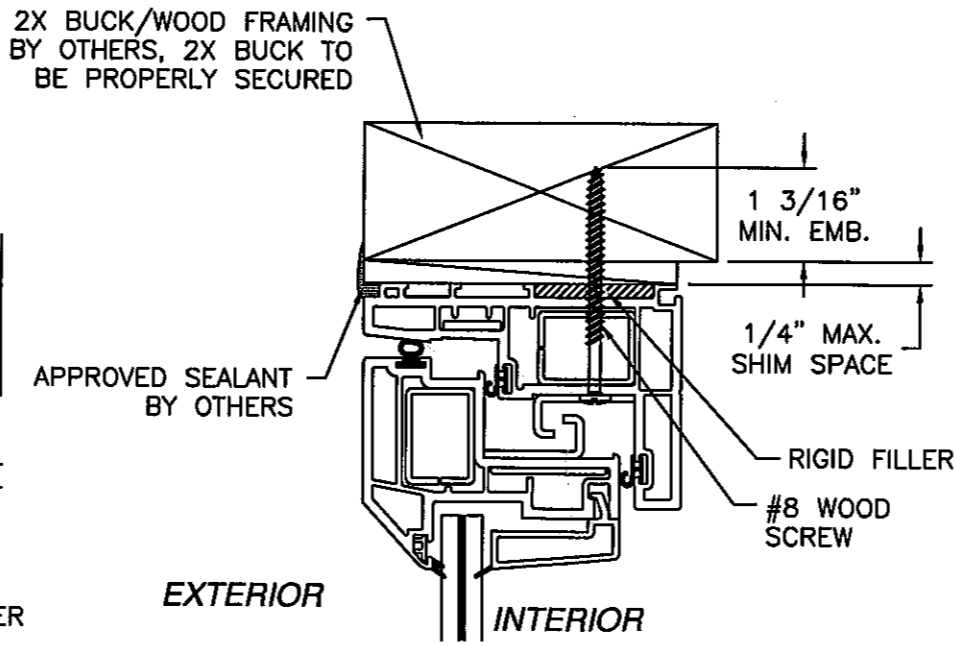
HEAD
WOOD FRAMING OR 2X BUCK FLANGE INSTALLATION
HEAD SHOWN, JAMBS AND SILL SIMILAR



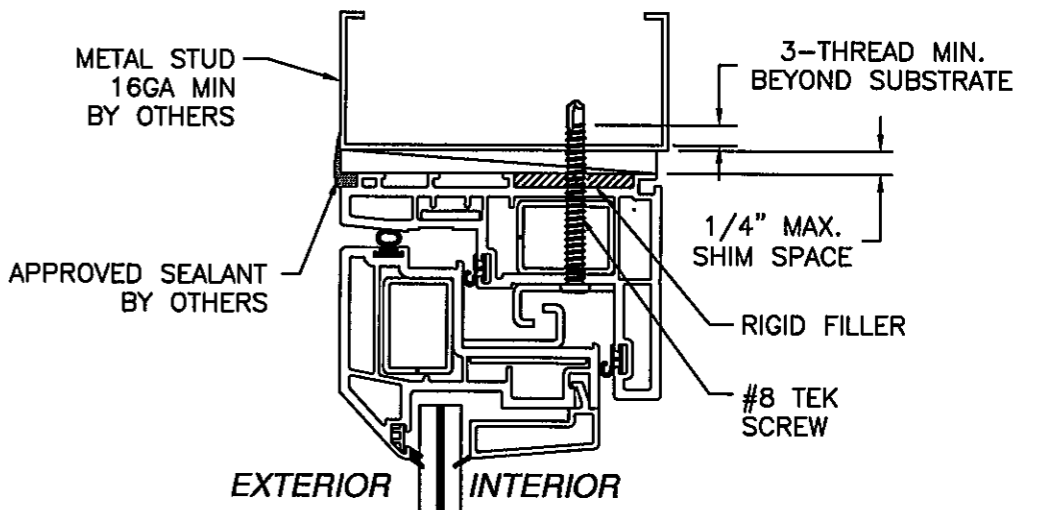
HEAD
METAL FRAMING FLANGE INSTALLATION
HEAD SHOWN, JAMBS AND SILL SIMILAR



HEAD
CONCRETE/MASONRY BOX FRAME INSTALLATION
HEAD SHOWN, JAMBS AND SILL SIMILAR



HEAD
WOOD FRAMING OR 2X BUCK BOX FRAME INSTALLATION
HEAD SHOWN, JAMBS AND SILL SIMILAR



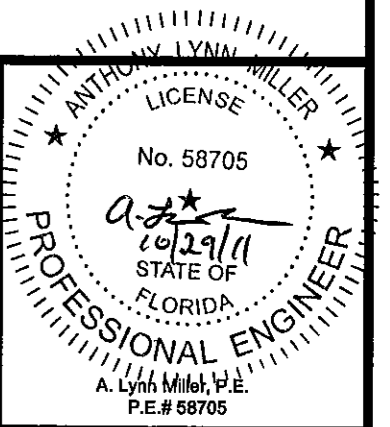
HEAD
METAL FRAMING BOX FRAME INSTALLATION
HEAD SHOWN, JAMBS AND SILL SIMILAR

PRODUCT REVISED
as complying with the Florida
Building Code
Acceptance No. **11-1114.23**
Expiration Date **08/11/2015**
By *[Signature]*
Miami Dade Product Control

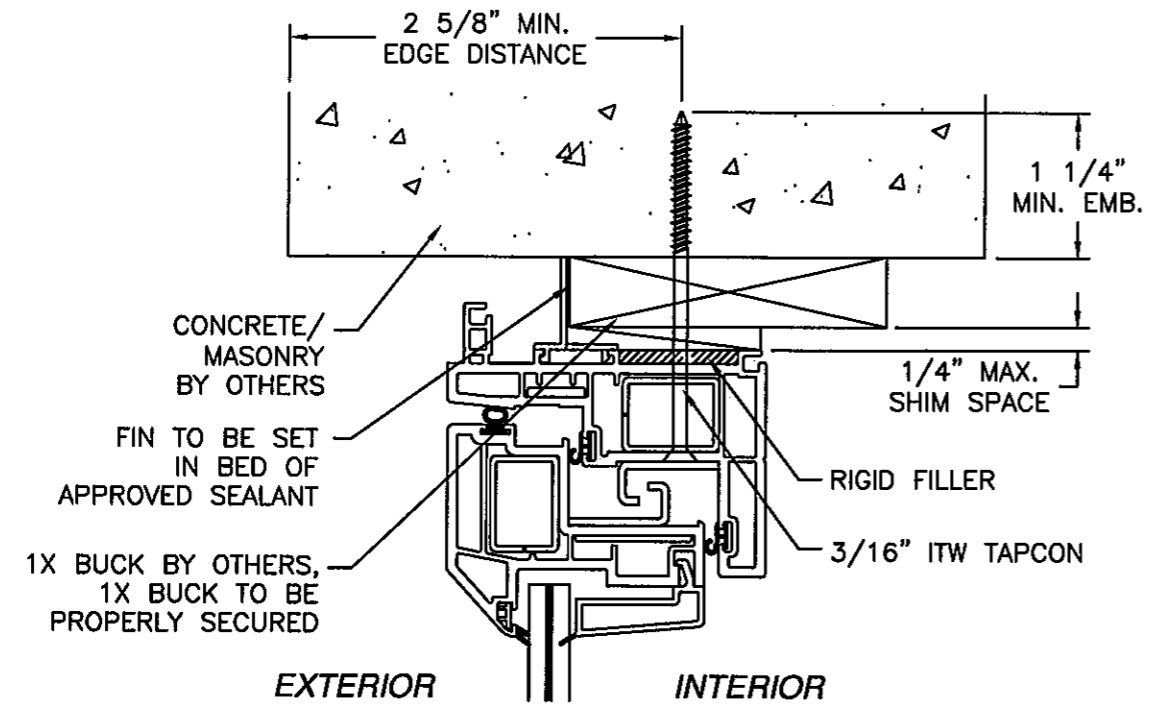
PGT INDUSTRIES
1070 TECHNOLOGY DRIVE
NOKOMIS, FL 34275

AW2740 PVC AWNING WINDOW IMPACT
AW2840 PVC AWNING WINDOW IMPACT
INSTALLATION DETAILS

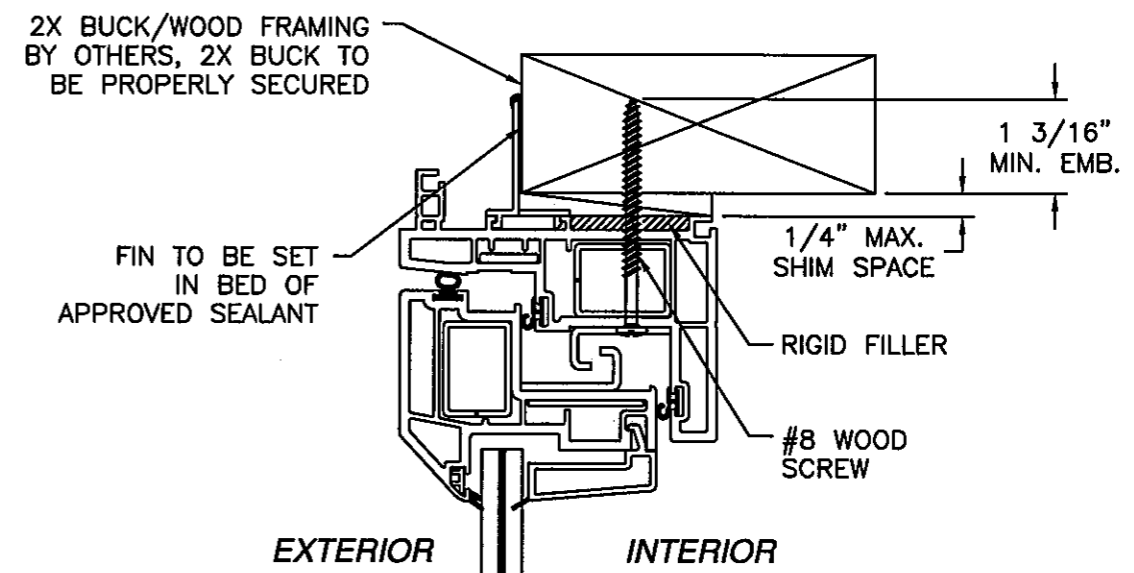
DRAWN: TJH	DWG NO. 08-00880	REV D
SCALE NTS	DATE 10/20/09	SHEET 3 OF 6



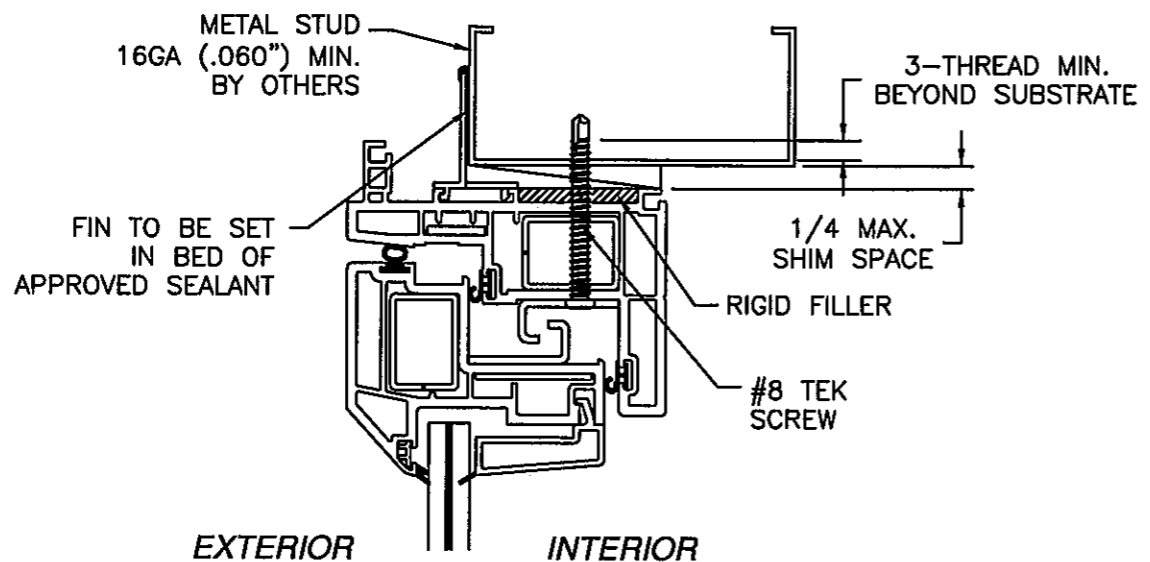
REVISIONS			
REV	DESCRIPTION	DATE	APPROVED
A	PER DADE LETTER DATED 2-4-10	03/25/10	R.L.
B	ADDED "WHITE" TO ALL PVC COMPONENTS	07/08/10	R.L.
C	CORRECTED TITLES FOR D.P. CHARTS	08/02/10	R.L.
D	NO CHANGE THIS SHEET	10/27/11	J.J.



HEAD
CONCRETE/MASONRY FIN INSTALLATION
HEAD SHOWN, JAMBS AND SILL SIMILAR



HEAD
WOOD FRAMING OR 2X BUCK FIN INSTALLATION
HEAD SHOWN, JAMBS AND SILL SIMILAR



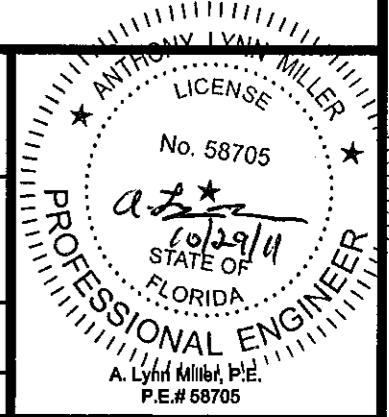
HEAD
METAL FRAMING FIN INSTALLATION
HEAD SHOWN, JAMBS AND SILL SIMILAR

PRODUCT REVISED
as complying with the Florida
Building Code
Acceptance No. 11-1114.23
Expiration Date 08/11/2015
By *[Signature]*
Miami Dade Product Control

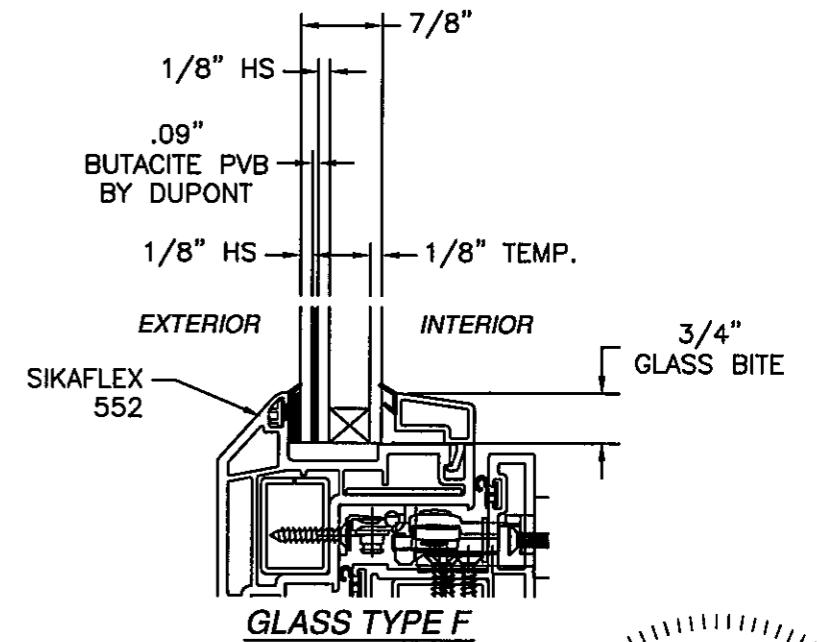
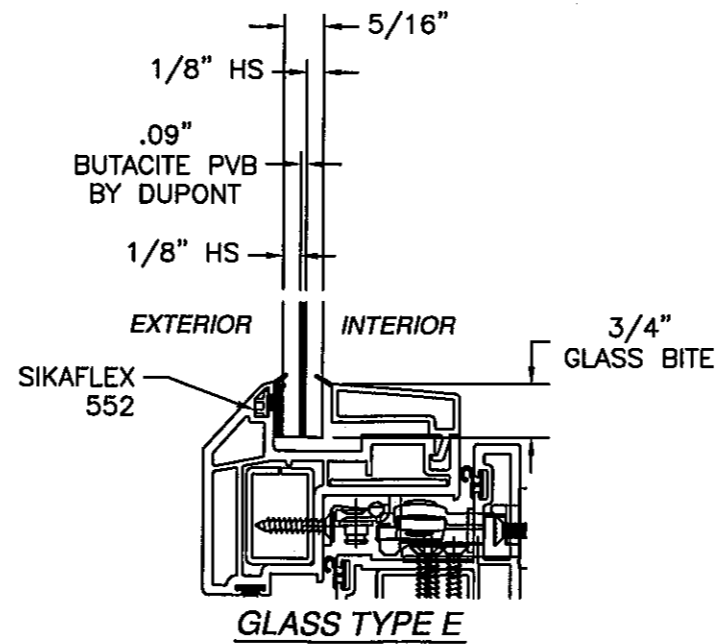
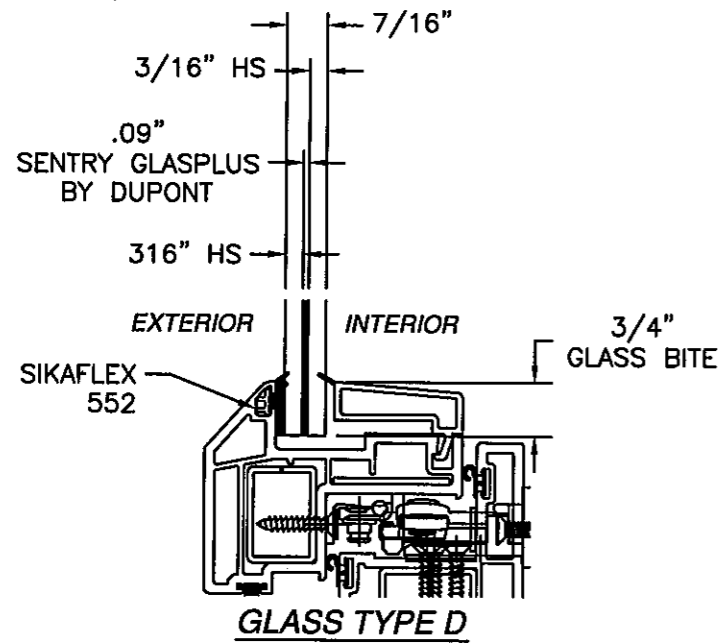
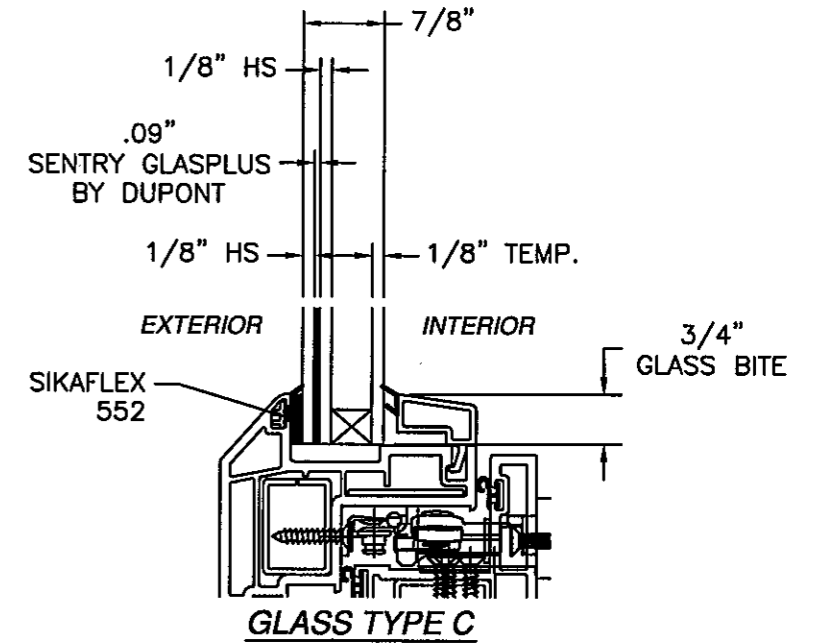
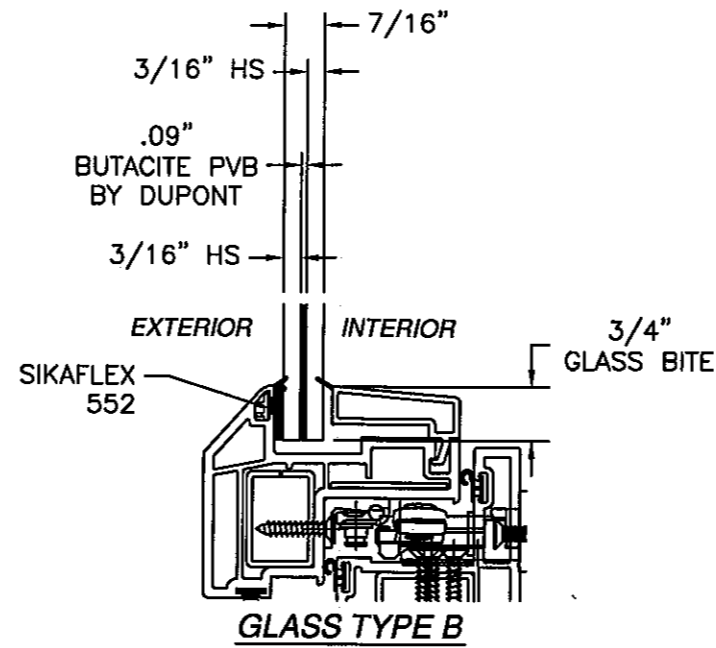
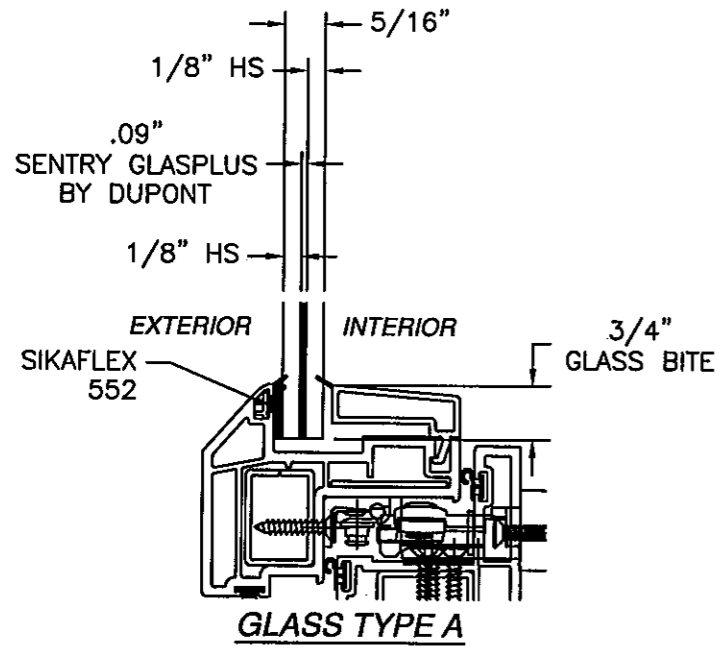
PGT INDUSTRIES
1070 TECHNOLOGY DRIVE
NOKOMIS, FL 34275

AW2740 PVC AWNING WINDOW IMPACT
AW2840 PVC AWNING WINDOW IMPACT
INSTALLATION DETAILS

DRAWN: TJH	DWG NO. 08-00880	REV D
SCALE NTS	DATE 10/20/09	SHEET 4 OF 6



REVISIONS			
REV	DESCRIPTION	DATE	APPROVED
B	ADDED "WHITE" TO ALL PVC COMPONENTS	07/08/10	R.L.
C	CORRECTED TITLES FOR D.P. CHARTS	08/02/10	R.L.
D	NO CHANGE THIS SHEET	10/27/11	J.J.

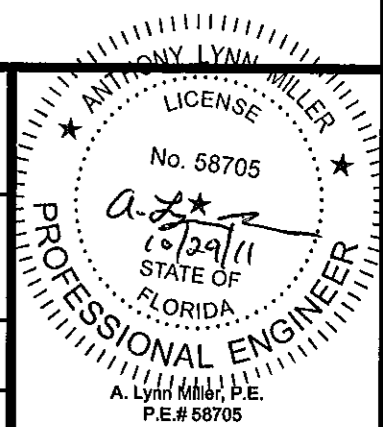


PRODUCT REVISED
 as complying with the Florida
 Building Code
 Acceptance No. 11-1114-23
 Expiration Date 08/11/2015
 By *[Signature]*
 Miami Dade Product Control

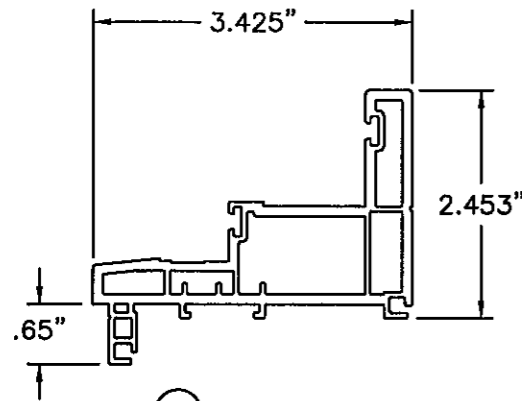
PGT INDUSTRIES
 1070 TECHNOLOGY DRIVE
 NOKOMIS, FL 34275

AW2740 PVC AWNING WINDOW IMPACT
 AW2840 PVC AWNING WINDOW IMPACT
 GLAZING DETAILS

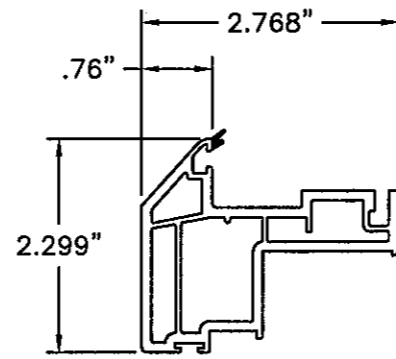
DRAWN: TJH	DWG NO. 08-00880	REV D
SCALE NTS	DATE 10/20/09	SHEET 5 OF 6



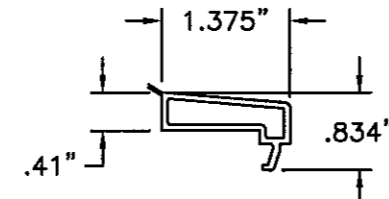
REVISIONS			
REV	DESCRIPTION	DATE	APPROVED
A	PER DADE LETTER DATED 2-4-10	03/25/10	R.L.
B	ADDED "WHITE" TO ALL PVC COMPONENTS	07/08/10	R.L.
C	CORRECTED TITLES FOR D.P. CHARTS	08/02/10	R.L.
D	NO CHANGE THIS SHEET	10/27/11	J.J.



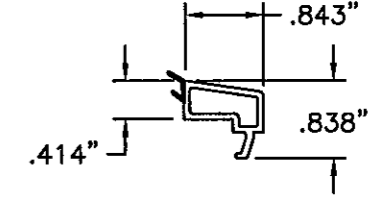
① **FRAME**
WHITE RIGID PVC .105" THICK



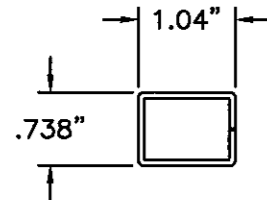
② **SASH FRAME**
WHITE RIGID PVC .100" THICK



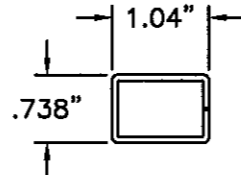
③ **7/16" GLAZING BEAD**
WHITE RIGID PVC .06" THICK



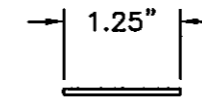
④ **I.G. GLAZING BEAD**
WHITE RIGID PVC .06" THICK



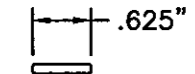
⑤ **FRAME REINFORCEMENT**
14GA (.079") GALVANIZED STEEL A653



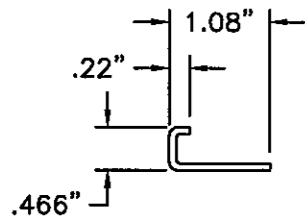
⑥ **SASH REINFORCEMENT**
16GA (.064") GALVANIZED STEEL A653



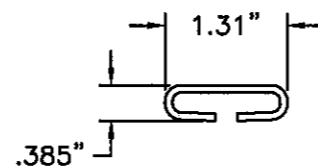
⑦ **SASH STIFFENER**
ALUMINUM 6063-T5 .065" THICK



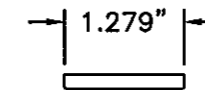
⑧ **FRAME STIFFENER**
ALUMINUM 6063-T5 .096" THICK



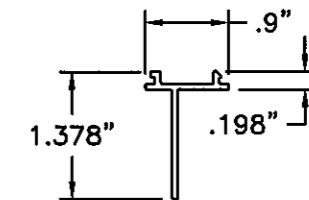
⑭ **SNUBBER**
318 STAINLESS STEEL .078" THICK



⑮ **KEEPER**
318 STAINLESS STEEL .079" THICK



⑯ **RIGID FILLER**
DUROMETER 85
NEOPRENE .15" THICK



⑰ **FIN ADAPTER**
WHITE RIGID PVC .062" THICK

PRODUCT REVISED
as complying with the Florida
Building Code
Acceptance No. **11-1114.23**
Expiration Date **02/11/2015**
By *[Signature]*
Miami Dade Product Control

PGT INDUSTRIES
1070 TECHNOLOGY DRIVE
NOKOMIS, FL 34275

AW2740 PVC AWNING WINDOW IMPACT
AW2840 PVC AWNING WINDOW IMPACT
COMPONENTS

DRAWN: TJH	DWG NO. 08-00880	REV D
SCALE NTS	DATE 10/20/09	SHEET 6 OF 6

