



DEPARTMENT OF PERMITTING, ENVIRONMENT, AND REGULATORY  
AFFAIRS (PERA)  
BOARD AND CODE ADMINISTRATION DIVISION

MIAMI-DADE COUNTY, FLORIDA  
PRODUCT CONTROL SECTION  
11805 SW 26 Street, Room 208  
Miami, Florida 33175-2474  
T (786) 315-2590 F (786) 315-2599

**NOTICE OF ACCEPTANCE (NOA)**

[www.miamidade.gov/pera/](http://www.miamidade.gov/pera/)

**PGT Industries**  
**1070 Technology Drive**  
**Nokomis, FL 34275**

**SCOPE:**

This NOA is being issued under the applicable rules and regulations governing the use of construction materials. The documentation submitted has been reviewed and accepted by Miami-Dade County PERA-Product Control Section to be used in Miami-Dade County and other areas where allowed by the Authority Having Jurisdiction (AHJ).

This NOA shall not be valid after the expiration date stated below. The Miami-Dade County Product Control Section (In Miami-Dade County) and/or the AHJ (in areas other than Miami-Dade County) reserve the right to have this product or material tested for quality assurance purposes. If this product or material fails to perform in the accepted manner, the manufacturer will incur the expense of such testing and the AHJ may immediately revoke, modify, or suspend the use of such product or material within their jurisdiction. PERA reserves the right to revoke this acceptance, if it is determined by Miami-Dade County Product Control Section that this product or material fails to meet the requirements of the applicable building code. This product is approved as described herein, and has been designed to comply with the Florida Building Code, including the High Velocity Hurricane Zone.

**DESCRIPTION: Series "2LT HR-2710" White PVC Horizontal Roller Window - L.M.I.**

**APPROVAL DOCUMENT:** Drawing No. **08-00881**, titled "2LT HR2710 PVC Horizontal Roller Window LMI - 74<sup>1</sup>/<sub>4</sub>" x 53<sup>1</sup>/<sub>4</sub>", sheets 1 through 6 of 6, prepared by PGT Industries, dated 09/23/10, with revision "C", dated 10/17/11, signed and sealed by Anthony Lynn Miller, P. E., bearing the Miami-Dade County Product Control Revision stamp with the Notice of Acceptance number and Expiration date by the Miami-Dade County Product Control Section.

**MISSILE IMPACT RATING: Large and Small Missile Impact Resistant.**

**LABELING:** Each unit shall bear a permanent label with the manufacturer's name or logo, city, state, model/series, and following statement: "Miami-Dade County Product Control Approved", unless otherwise noted herein.

**RENEWAL** of this NOA shall be considered after a renewal application has been filed and there has been no change in the applicable building code negatively affecting the performance of this product.

**TERMINATION** of this NOA will occur after the expiration date or if there has been a revision or change in the materials, use, and/or manufacture of the product or process. Misuse of this NOA as an endorsement of any product, for sales, advertising or any other purposes shall automatically terminate this NOA. Failure to comply with any section of this NOA shall be cause for termination and removal of NOA.

**ADVERTISEMENT:** The NOA number preceded by the words Miami-Dade County, Florida, and followed by the expiration date may be displayed in advertising literature. If any portion of the NOA is displayed, then it shall be done in its entirety.

**INSPECTION:** A copy of this entire NOA shall be provided to the user by the manufacturer or its distributors and shall be available for inspection at the job site at the request of the Building Official.

This NOA revises NOA No. **09-1210.07** and consists of this page 1 and evidence pages E-1 and E-2, as well as approval document mentioned above.

The submitted documentation was reviewed by **Jaime D. Gascon, P. E.**



*J. Gascon*  
*2/2/12*

NOA No. 11-1114.09  
Expiration Date: December 23, 2015  
Approval Date: February 09, 2012  
Page 1

**NOTICE OF ACCEPTANCE: EVIDENCE SUBMITTED**

**A. DRAWINGS**

1. Manufacturer's die drawings and sections.  
*(Submitted under NOA No. 09-1210.07)*
2. Drawing No. **08-00881**, titled "2LT HR2710 PVC Horizontal Roller Window LMI – 74<sup>1</sup>/<sub>4</sub>" x 53<sup>1</sup>/<sub>4</sub>", sheets 1 through 6 of 6, prepared by PGT Industries, dated 09/23/10, with revision "C", dated 10/17/11, signed and sealed by Anthony Lynn Miller, P. E.

**B. TESTS**

1. Test reports on:
  - 1) Air Infiltration Test, per FBC, TAS 202-94
  - 2) Uniform Static Air Pressure Test, Loading per FBC, TAS 202-94
  - 3) Water Resistance Test, per FBC, TAS 202-94
  - 4) Large Missile Impact Test per FBC, TAS 201-94
  - 5) Cyclic Wind Pressure Loading per FBC, TAS 203-94
  - 6) Forced Entry Test, per FBC 2411 3.2.1 and TAS 202-94along with marked-up drawings and installation diagram of 2LT HR-2710 PVC horizontal roller window, XX configuration, prepared by National Certified Testing Laboratories, Test Report No. **NCTL-210-3639-1**, dated 09/08/08, re-issued on 09/17/09 and revised on 05/05/10, signed and sealed by Gerard J. Ferrara, P. E.  
*(Submitted under NOA No. 09-1210.07)*

**C. CALCULATIONS:**

1. Anchor verification calculations, and structural analysis, complying with FBC-2007, prepared by manufacturer, dated 10/27/09, signed and sealed by Luis R. Lomas, P. E.  
*(Submitted under NOA No. 09-1210.07)*
2. **Glazing complies with ASTM E1300-04.**

**D. QUALITY ASSURANCE**

1. Miami-Dade Department of Permitting, Environment, and Regulatory Affairs (PERA)

**E. MATERIAL CERTIFICATIONS**

1. Notice of Acceptance No. **11-0624.01** issued to **E.I. DuPont DeNemours & Co., Inc.** for their "**DuPont Butacite® PVB Interlayer**" dated 09/08/11, expiring on 12/11/16.
2. Notice of Acceptance No. **10-1208.02**, issued to **L.B. Plastics, Inc.** for their "**White Rigid PVC Exterior Extrusions**" dated 12/30/10, expiring on 12/30/15.

**F. STATEMENTS**

1. Statement letter of conformance and compliance with the FBC-2007 (with the 2009 supplement) and FBC-2010, dated 10/25/11, signed and sealed by Anthony Lynn Miller, P. E.



Jaime D. Gascon, P. E.  
Product Control Section Supervisor  
NOA No. 11-1114.09  
Expiration Date: December 23, 2015  
Approval Date: February 09, 2012

**NOTICE OF ACCEPTANCE: EVIDENCE SUBMITTED**

**F. STATEMENTS (CONTINUED)**

2. Statement letter of no financial interest and independence, dated 10/25/11, signed and sealed by Anthony Lynn Miller, P. E.
3. Letter of *Adoption of as his Own, the Work of another Engineer* per Section 61G15-27.001 of the F.B.P.E., dated 10/07/11 signed and sealed by Anthony Lynn Miller, P. E.
4. Statement letter of conformance, dated 08/20/09, signed by Robert L. Clark, P. E.  
*(Submitted under NOA No. 09-1210.07)*
5. Statement letter of no financial interest, dated 08/20/09, signed and sealed by Robert L. Clark, P. E.  
*(Submitted under NOA No. 09-1210.07)*
6. Laboratory compliance letter for Test Report No. **NCTL-210-3639-1**, issued by National Certified Testing Laboratories, Inc., dated 09/08/08, re-issued on 09/17/09 and revised on 05/05/10, signed and sealed by Gerard J. Ferrara, P. E.  
*(Submitted under NOA No. 09-1210.07)*

**G. OTHERS**

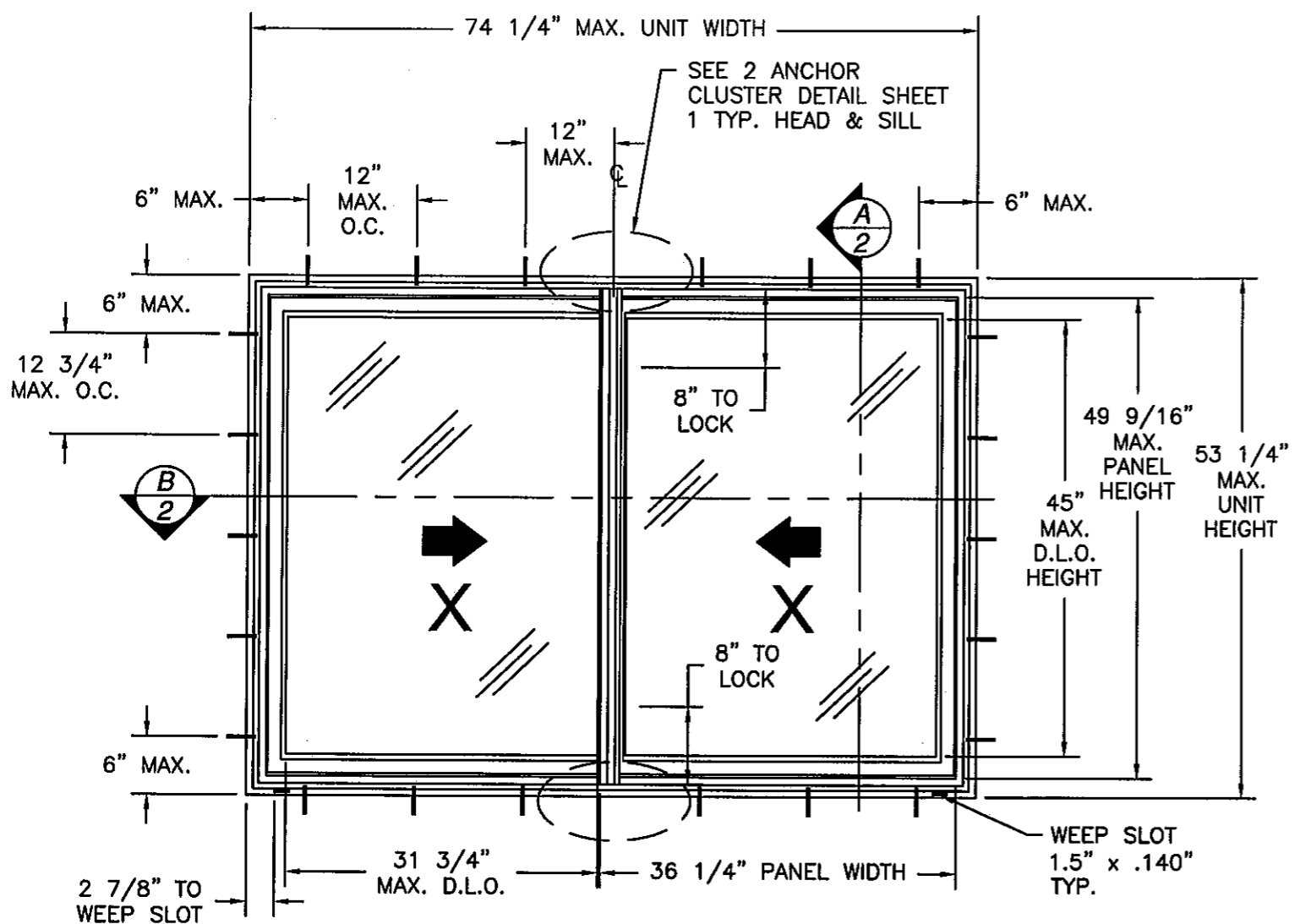
1. Notice of Acceptance No. **09-1210.07**, issued to PGT Industries, Inc. for their Series "2LT HR-2710 White PVC Horizontal Roller Window - L.M.I.", approved on 12/23/10 and expiring on 12/23/2015.



---

**Jaime D. Gascon, P. E.**  
**Product Control Section Supervisor**  
**NOA No. 11-1114.09**  
**Expiration Date: December 23, 2015**  
**Approval Date: February 09, 2012**

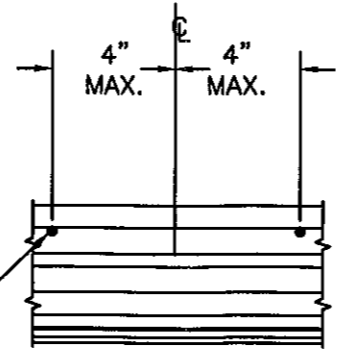
REVISIONS			
REV	DESCRIPTION	DATE	APPROVED
B	REVISED WOOD SCREW EDGE DIST.	09/23/10	R.L.
C	NO CHANGE THIS SHEET	10/27/11	J.J.



**2LT HR2710 PVC  
HORIZONTAL ROLLER WINDOW  
EXTERIOR VIEW**

WITH 3/4\" SILL RISER ITEM #29

DESIGN PRESSURE RATING	IMPACT RATING
+ 60.0 PSF - 65.0 PSF	LARGE AND SMALL MISSILE IMPACT



**2 ANCHOR CLUSTER DETAIL**  
TYPICAL HEAD AND SILL

INSTALLATION ANCHORS  
SEE NOTES 6,  
7 AND 8  
SHEET 1

**NOTES:**

- 1) THE PRODUCT SHOWN HEREIN IS DESIGNED AND MANUFACTURED TO COMPLY WITH REQUIREMENTS OF THE FLORIDA BUILDING CODE.
- 2) WOOD FRAMING AND MASONRY OPENING TO BE DESIGNED AND ANCHORED TO PROPERLY TRANSFER ALL LOADS TO STRUCTURE. FRAMING AND MASONRY OPENING IS THE RESPONSIBILITY OF THE ARCHITECT OR ENGINEER OF RECORD.
- 3) UNITS MUST BE GLAZED PER ASTM E1300 SEE SHEET 6 FOR APPROVED GLASS TYPES.
- 4) APPROVED IMPACT PROTECTIVE SYSTEM IS NOT REQUIRED FOR THIS PRODUCT IN WIND-BORNE DEBRIS REGIONS.
- 5) SHIM AS REQUIRED AT EACH INSTALLATION ANCHOR WITH LOAD BEARING SHIM. SHIM WHERE SPACE OF 1/16\" OR GREATER OCCURS. MAXIMUM ALLOWABLE SHIM STACK TO BE 1/4\".
- 6) FOR INSTALLATION INTO WOOD FRAMING OR 2X BUCK USE #10 WOOD SCREW WITH SUFFICIENT LENGTH TO ACHIEVE A 1 3/8\" MINIMUM EMBEDMENT INTO SUBSTRATE WITH 13/16\" MINIMUM EDGE DISTANCE. LOCATE ANCHORS AS SHOWN IN ELEVATIONS AND INSTALLATION DETAILS.
- 7) FOR INSTALLATION INTO CONCRETE/MASONRY USE 3/16\" ITW TAPCON WITH SUFFICIENT LENGTH TO ACHIEVE A 1 1/4\" MINIMUM EMBEDMENT INTO SUBSTRATE AND 2 5/8\" MINIMUM EDGE DISTANCE. LOCATE ANCHORS AS SHOWN IN ELEVATIONS AND INSTALLATION DETAILS.
- 8) FOR ANCHORING INTO METAL FRAMING USE #10 TEK SELF TAPPING SCREWS WITH SUFFICIENT LENGTH TO ACHIEVE A MINIMUM EMBEDMENT OF THREE THREADS PAST THE FRAME THICKNESS. LOCATE ANCHORS AS SHOWN IN ELEVATIONS AND INSTALLATION DETAILS.
- 9) ALL FASTENERS TO BE CORROSION RESISTANT.
- 10) INSTALLATION ANCHORS SHALL BE INSTALLED IN ACCORDANCE WITH ANCHOR MANUFACTURER'S INSTALLATION INSTRUCTIONS, AND ANCHORS SHALL NOT BE USED IN SUBSTRATES WITH STRENGTHS LESS THAN THE MINIMUM STRENGTH SPECIFIED BELOW:  
 A. WOOD - MINIMUM SPECIFIC GRAVITY OF G=0.42  
 B. CONCRETE - MINIMUM COMPRESSIVE STRENGTH OF 3,200 PSI.  
 C. MASONRY - STRENGTH CONFORMANCE TO ASTM C-90, GRADE N, TYPE 1 (OR GREATER).  
 D. METAL FRAMING - 16GA (.060) MINIMUM THICKNESS
- 11) ALLOWABLE STRESS INCREASE OF 1/3 WAS NOT USED IN THE DESIGN OF THE PRODUCT SHOWN HEREIN. WIND LOAD DURATION FACTOR Cd=1.6 WAS USED FOR WOOD ANCHOR CALCULATIONS.
- 12) FRAME MATERIAL: EXTRUDED RIGID PVC .075\" THICK.  
SASH MATERIAL: EXTRUDED RIGID PVC .070\" THICK.

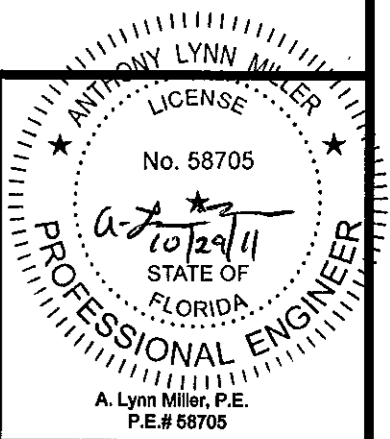
TABLE OF CONTENTS	
SHEET NO.	DESCRIPTION
1	ELEVATION, ANCHORING AND NOTES
2	BILL OF MATERIALS AND CROSS SECTIONS
3 - 5	INSTALLATION DETAILS
6	COMPONENTS AND GLAZING DETAIL

PRODUCT REVISED  
as complying with the Florida  
Building Code  
Acceptance No. 11-1114.09  
Expiration Date 12/23/2015  
By *[Signature]*  
Miami Dade Product Control

**PGT INDUSTRIES**  
1070 TECHNOLOGY DRIVE  
NOKOMIS, FL 34275

**2LT HR2710 PVC HORIZONTAL ROLLER WINDOW LMI**  
74 1/4\" x 53 1/4\"  
ELEVATION, ANCHORING AND NOTES

DRAWN: TJH	DWG NO. 08-00881	REV C
SCALE NTS	DATE 10/27/09	SHEET 1 OF 6



PARTS LIST

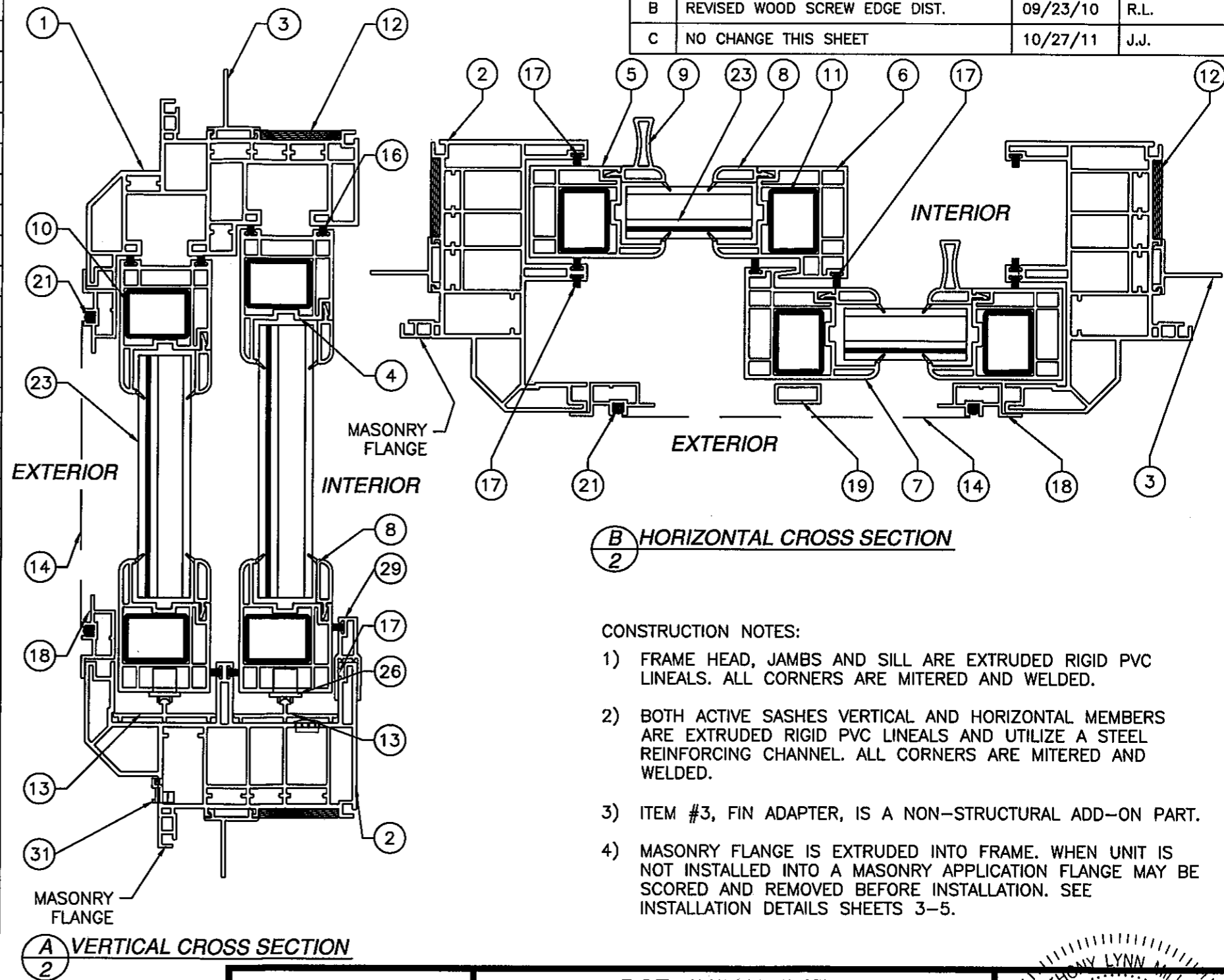
NO.	PART NUMBER	DESCRIPTION	MANUFACTURER	MATERIAL
1	8301	FRAME HEAD	LB PLASTICS INC.	RIGID PVC
2	8303	FRAME SILL AND JAMB	LB PLASTICS INC.	RIGID PVC
3	8343	FIN ADAPTER	LB PLASTICS INC.	RIGID PVC
4	8306	SASH HORIZONTAL PLAIN	LB PLASTICS INC.	RIGID PVC
5	8305	SASH VERTICAL PLAIN	LB PLASTICS INC.	RIGID PVC
6	8308	SASH INTERNAL INTERLOCK	LB PLASTICS INC.	RIGID PVC
7	8307	SASH EXTERNAL INTERLOCK	LB PLASTICS INC.	RIGID PVC
8	8325	SASH 7/8" PLAIN BEAD	LB PLASTICS INC.	RIGID PVC
9	8324	SASH 7/8" LIFT BEAD	LB PLASTICS INC.	RIGID PVC
10	ST1007B 16GA	SASH REINFORCEMENT	HYGRADE	GALVANIZED STEEL
11	ST1007B 14GA	SASH REINFORCEMENT	HYGRADE	GALVANIZED STEEL
12	2NB-8K-018	RIGID FILLER .797"	FRANK LOWE	NEOPRENE
13	FL 1221	ROLLER TRACK	EASTERN METALS	ALUMINUM 6063-T6
14	18/16GCCL	SCREEN CLOTH	PHIFER WIRE	FIBERGLASS
15	WA2L	WEEP COVER	PREFERRED ENG.	NYLON
16	G23251NW	WEATHERSTRIPPING FIN SEAL	ULTRA FAB	POLYPROPYLENE
17	G23321NW	WEATHERSTRIPPING FIN SEAL	ULTRA FAB	POLYPROPYLENE
18	VB51F34F-3	SCREEN FRAME	EASTERN METALS	ALUMINUM 6063-T6
19	VB591FB5-3	SCREEN CROSS BAR	EASTERN METALS	ALUMINUM 6063-T6
20	SIKAFLEX 552	GLAZING COMPOUND	SIKA	POLYURETHANE
21	FP-50-160B	SCREEN SPLINE	PROTOTYPE PLASTICS	65A TPE
22	SK01-3014-G2	SASH KEEPER	INTERLOCK USA	ZINC
23		IMPACT GLAZING SEE SHEET 6		
24	5500-000-G2	SASH LOCK	INTERLOCK USA	ZINC
25	NCRWDH-042	TILT LATCH	IPS	ZINC
26	PD42366-1-125	ROLLER	IPS	STAINLESS STEEL
27	SNB IN	INTERLOCK CLIP	WIRCO	STAINLESS STEEL
28	SNB OUT	INTERLOCK CLIP	WIRCO	STAINLESS STEEL
29	8348	3/4" SILL RISER	L.B. PLASTICS	RIGID PVC
30	8349	1 1/2" SILL RISER	L.B. PLASTICS	RIGID PVC
31		WEEP COVER		RIGID PVC

ITEMS #27 AND #28 ARE USED BUT NOT SHOWN.

WHITE PVC EXTRUSIONS TO BE LABELED WITH AAMA EXTRUDER CODE, EXTRUDER NAME, CITY, STATE AND MDCA.

REVISIONS

REV	DESCRIPTION	DATE	APPROVED
B	REVISED WOOD SCREW EDGE DIST.	09/23/10	R.L.
C	NO CHANGE THIS SHEET	10/27/11	J.J.



CONSTRUCTION NOTES:

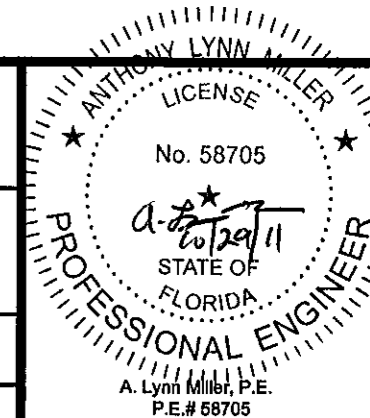
- 1) FRAME HEAD, JAMBS AND SILL ARE EXTRUDED RIGID PVC LINEALS. ALL CORNERS ARE MITERED AND WELDED.
- 2) BOTH ACTIVE SASHES VERTICAL AND HORIZONTAL MEMBERS ARE EXTRUDED RIGID PVC LINEALS AND UTILIZE A STEEL REINFORCING CHANNEL. ALL CORNERS ARE MITERED AND WELDED.
- 3) ITEM #3, FIN ADAPTER, IS A NON-STRUCTURAL ADD-ON PART.
- 4) MASONRY FLANGE IS EXTRUDED INTO FRAME. WHEN UNIT IS NOT INSTALLED INTO A MASONRY APPLICATION FLANGE MAY BE SCORED AND REMOVED BEFORE INSTALLATION. SEE INSTALLATION DETAILS SHEETS 3-5.

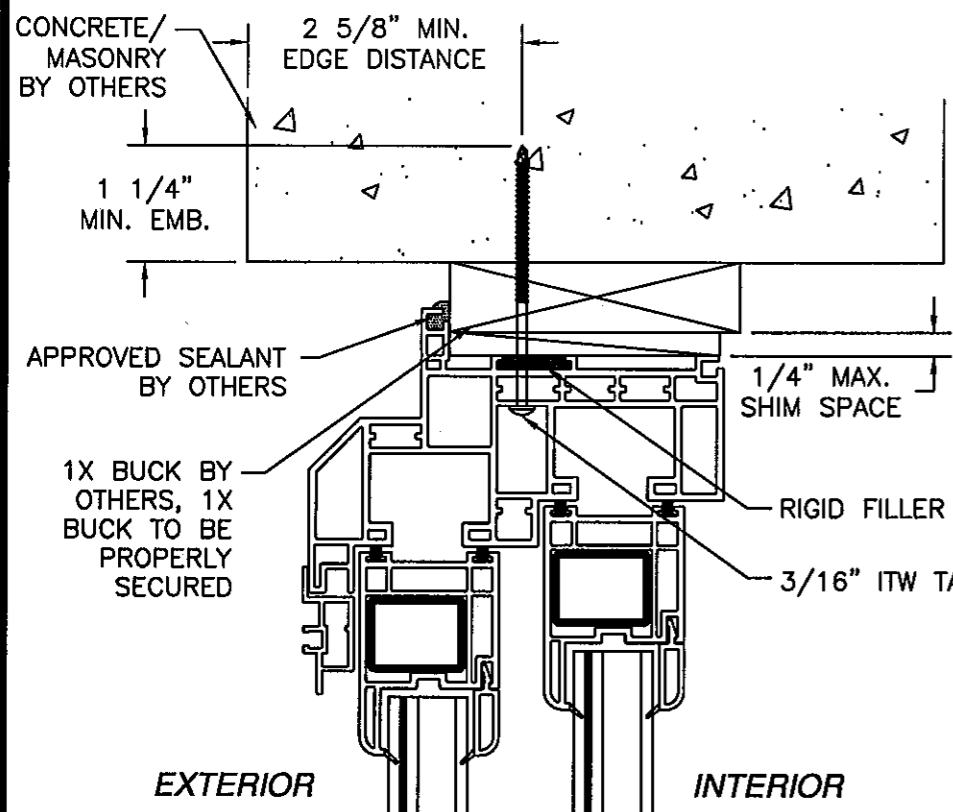
PRODUCT REVISED as complying with the Florida Building Code  
 Acceptance No. 11-1114.09  
 Expiration Date 12/23/2015  
 By *[Signature]*  
 Miami Dade Product Control

PGT INDUSTRIES  
 1070 TECHNOLOGY DRIVE  
 NOKOMIS, FL 34275

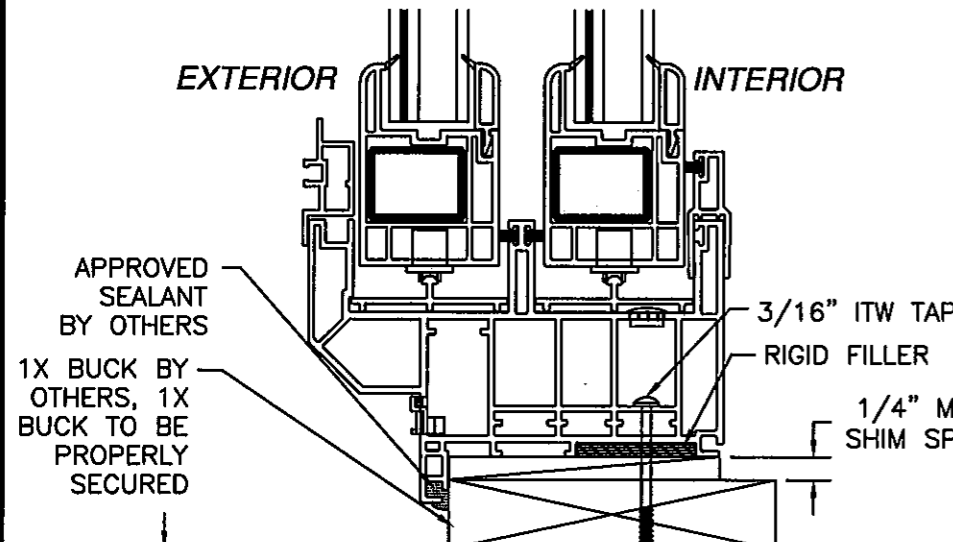
2LT HR2710 PVC HORIZONTAL ROLLER WINDOW LMI  
 74 1/4" x 53 1/4"  
 BILL OF MATERIALS AND CROSS SECTIONS

DRAWN: TJH	DWG NO. 08-00881	REV C
SCALE NTS	DATE 10/27/09	SHEET 2 OF 6

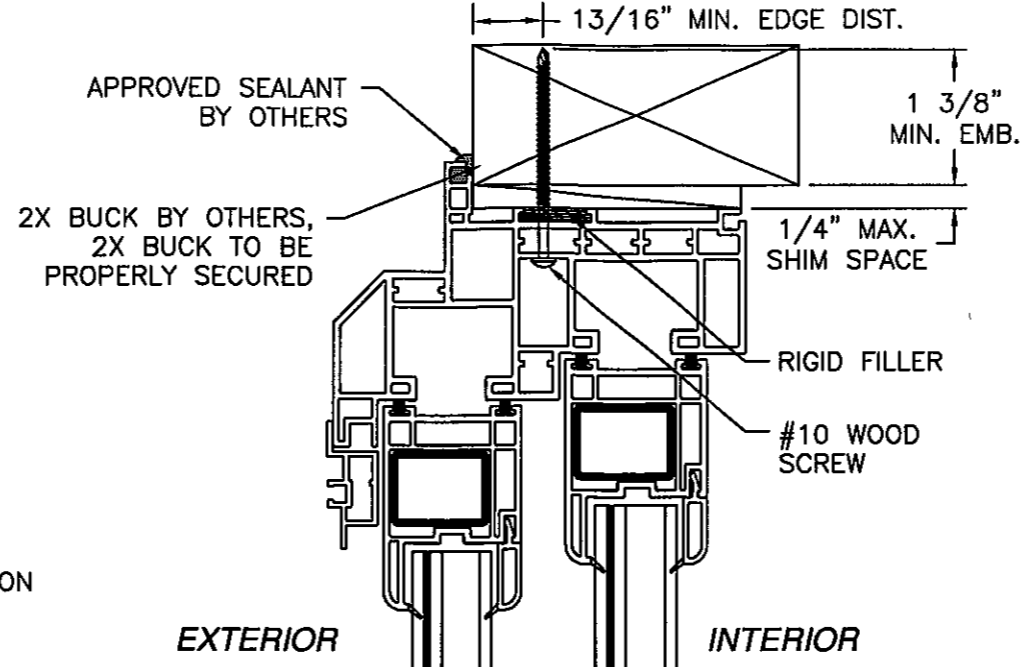




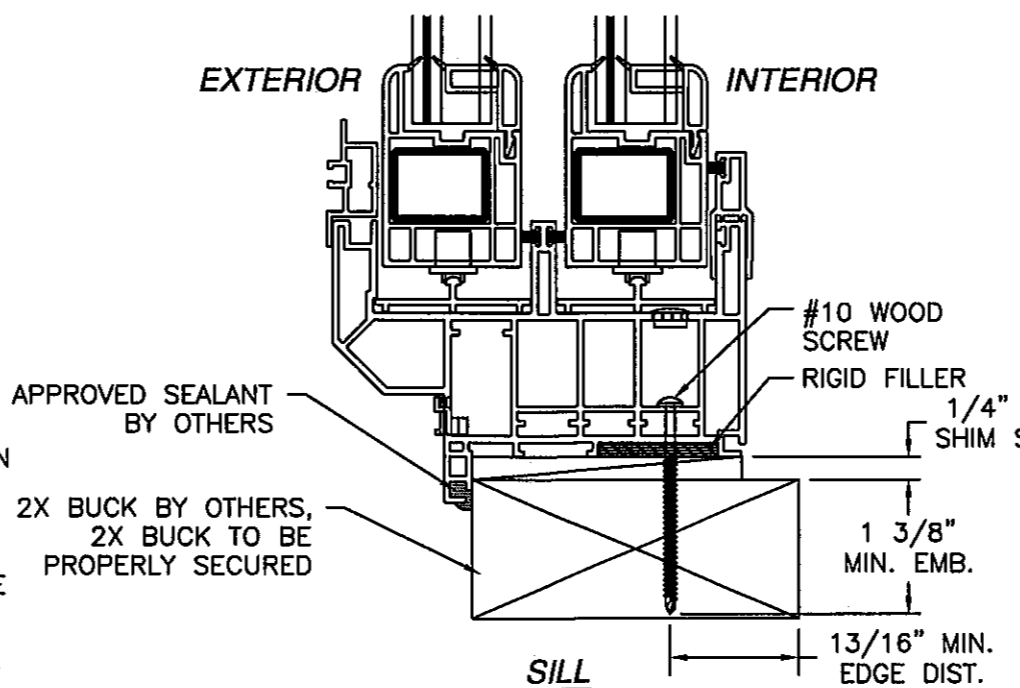
**HEAD & JAMB**  
CONCRETE/MASONRY FLANGE INSTALLATION  
HEAD SHOWN, JAMBS SIMILAR



**SILL**  
CONCRETE/MASONRY FLANGE INSTALLATION

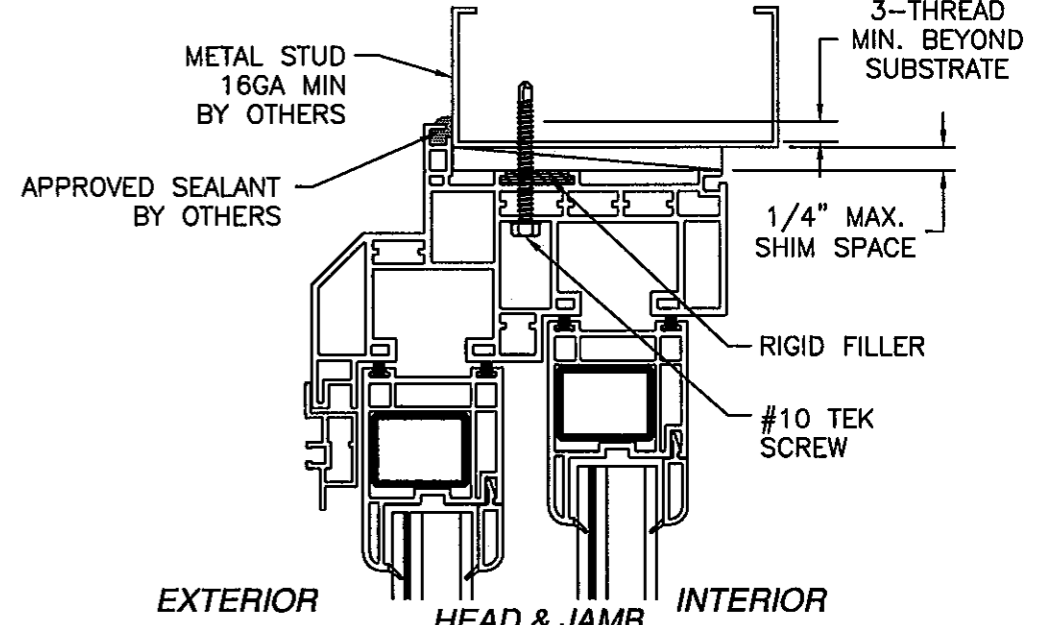


**HEAD & JAMB**  
WOOD FRAMING OR 2X BUCK FLANGE INSTALLATION  
HEAD SHOWN, JAMBS SIMILAR

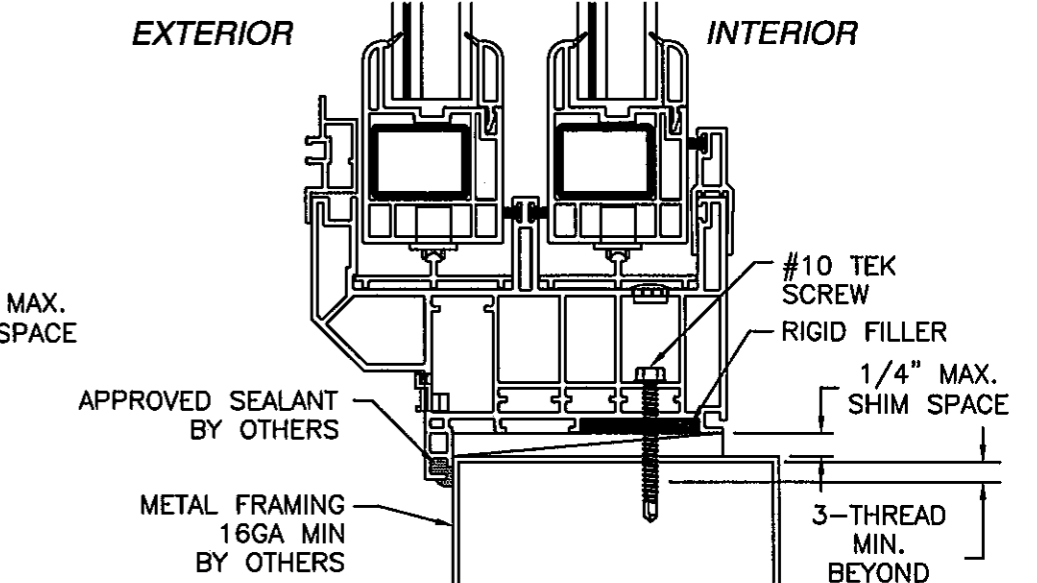


**SILL**  
WOOD FRAMING OR 2X BUCK FLANGE  
INSTALLATION

REVISIONS			
REV	DESCRIPTION	DATE	APPROVED
B	REVISED WOOD SCREW EDGE DIST.	09/23/10	R.L.
C	NO CHANGE THIS SHEET	10/27/11	J.J.



**HEAD & JAMB**  
METAL FRAMING FLANGE INSTALLATION  
HEAD SHOWN, JAMBS SIMILAR



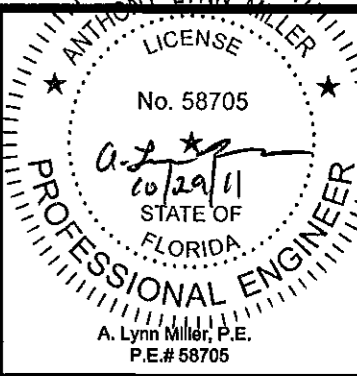
**SILL**  
METAL FRAMING FLANGE INSTALLATION

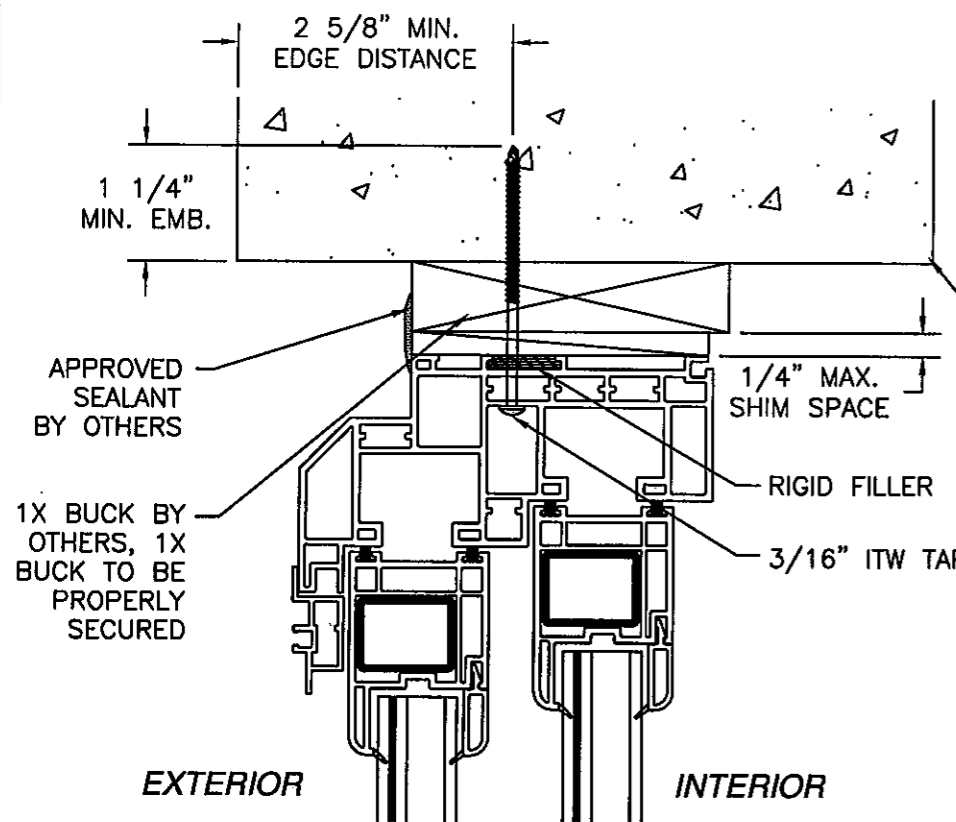
PRODUCT REVISED  
as complying with the Florida  
Building Code  
Acceptance No. 11-1114.09  
Expiration Date 12/25/2016  
By: [Signature]  
Miami Dade Product Control

**PGT INDUSTRIES**  
1070 TECHNOLOGY DRIVE  
NOKOMIS, FL 34275

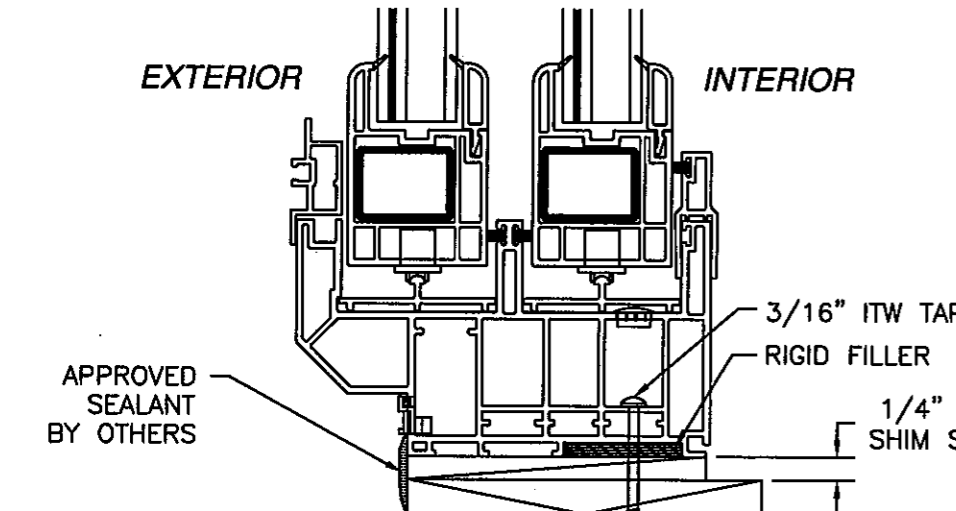
2LT HR2710 PVC HORIZONTAL ROLLER WINDOW LMI  
74 1/4" x 53 1/4"  
FLANGE INSTALLATION DETAILS

DRAWN: TJH	DWG NO. 08-00881	REV C
SCALE NTS	DATE 10/27/09	SHEET 3 OF 6

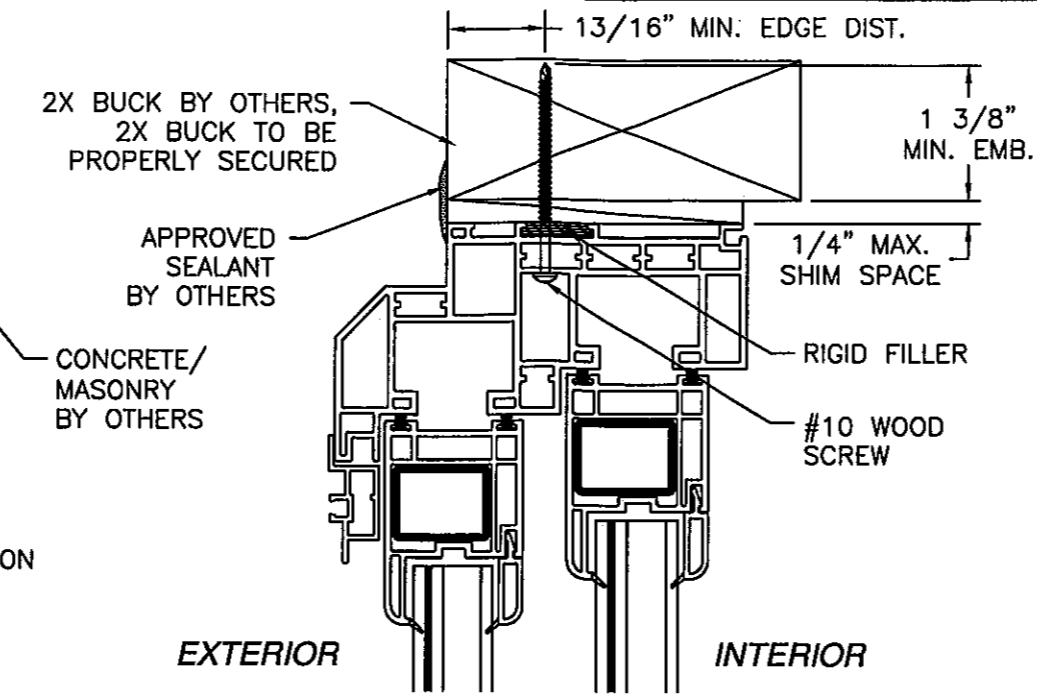




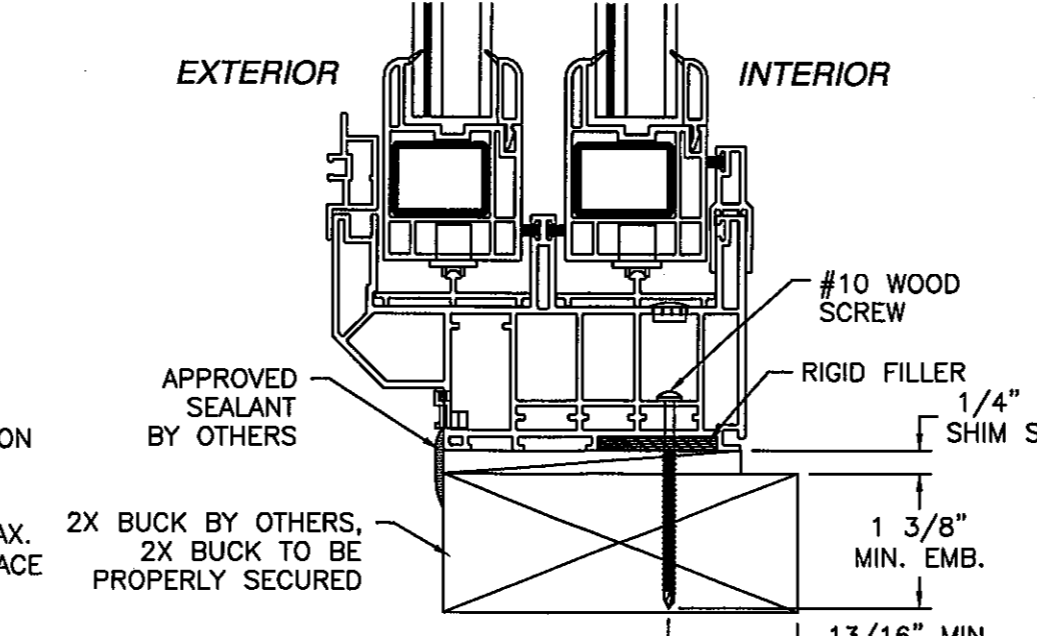
**HEAD & JAMB**  
CONCRETE/MASONRY BOX FRAME INSTALLATION  
HEAD SHOWN, JAMBS SIMILAR



**SILL**  
CONCRETE/MASONRY BOX FRAME INSTALLATION

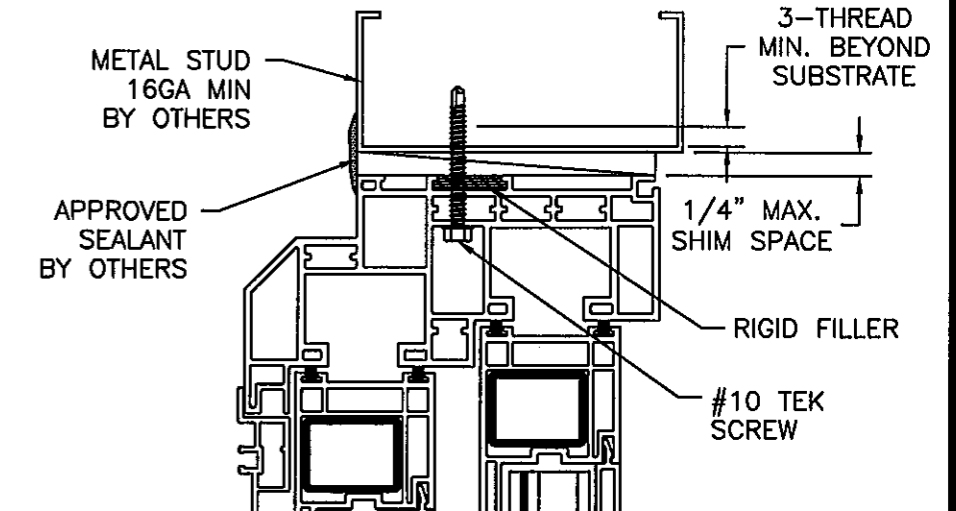


**HEAD & JAMB**  
WOOD FRAMING OR 2X BUCK BOX FRAME INSTALLATION  
HEAD SHOWN, JAMBS SIMILAR

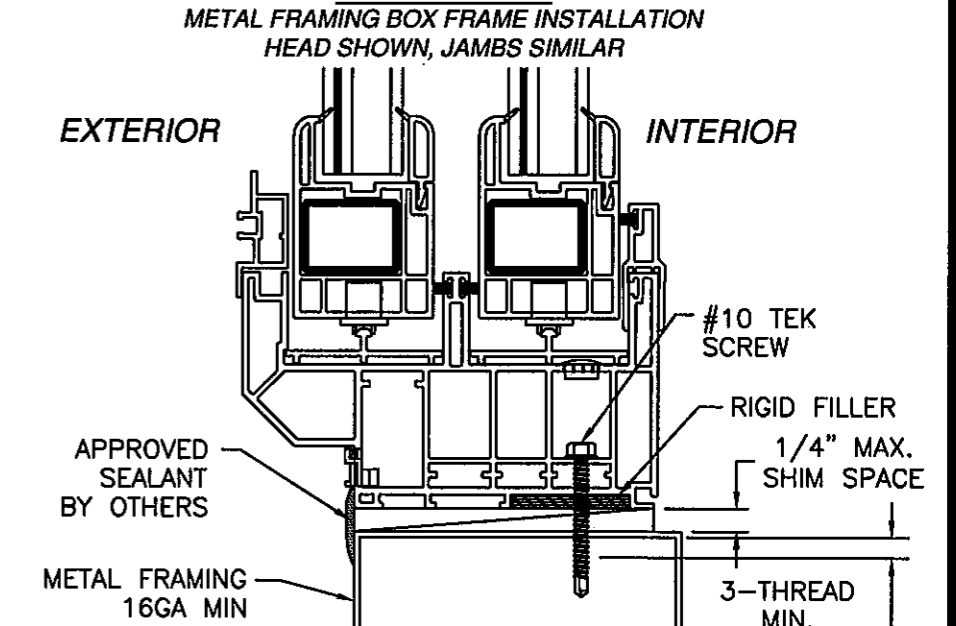


**SILL**  
WOOD FRAMING OR 2X BUCK BOX FRAME INSTALLATION

REVISIONS			
REV	DESCRIPTION	DATE	APPROVED
B	REVISED WOOD SCREW EDGE DIST.	09/23/10	R.L.
C	NO CHANGE THIS SHEET	10/27/11	J.J.



**HEAD & JAMB**  
METAL FRAMING BOX FRAME INSTALLATION  
HEAD SHOWN, JAMBS SIMILAR



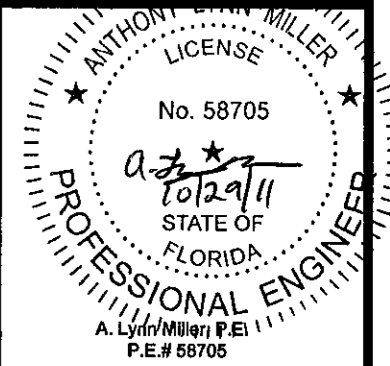
**SILL**  
METAL FRAMING BOX FRAME INSTALLATION

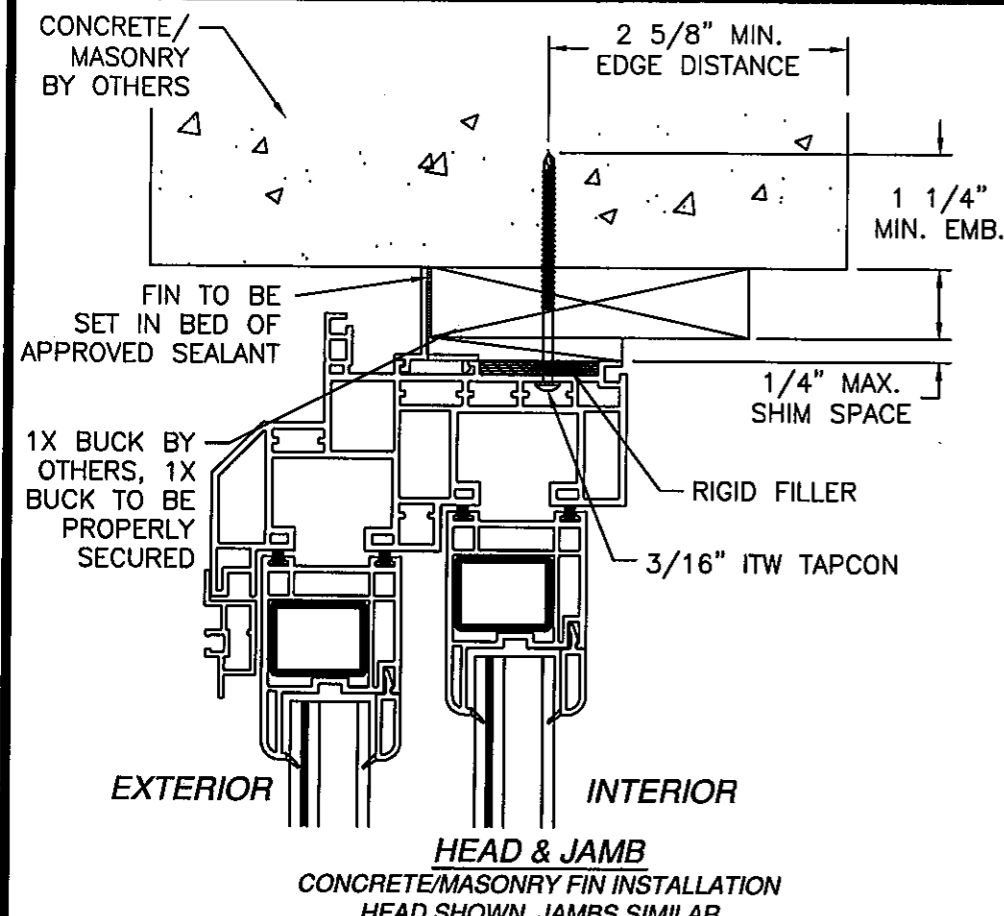
PRODUCT REVISED  
as complying with the Florida  
Building Code  
Acceptance No. 11-1114-09  
Expiration Date 12/23/2016  
By [Signature]  
Miami Dade Product Control

**PGT INDUSTRIES**  
1070 TECHNOLOGY DRIVE  
NOKOMIS, FL 34275

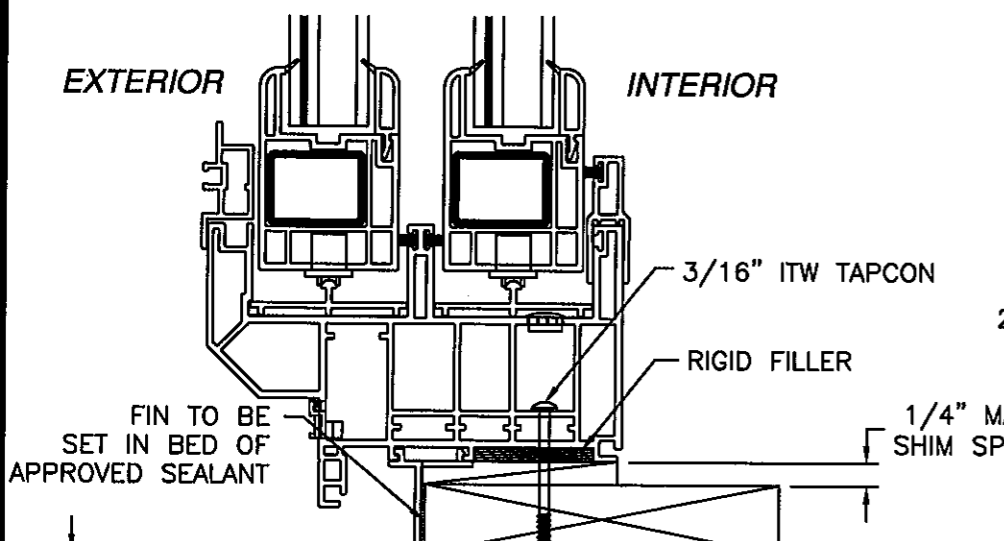
2LT HR2710 PVC HORIZONTAL ROLLER WINDOW LMI  
74 1/4" x 53 1/4"  
BOX FRAME INSTALLATION DETAILS

DRAWN: TJH	DWG NO. 08-00881	REV C
SCALE NTS	DATE 10/27/09	SHEET 4 OF 6

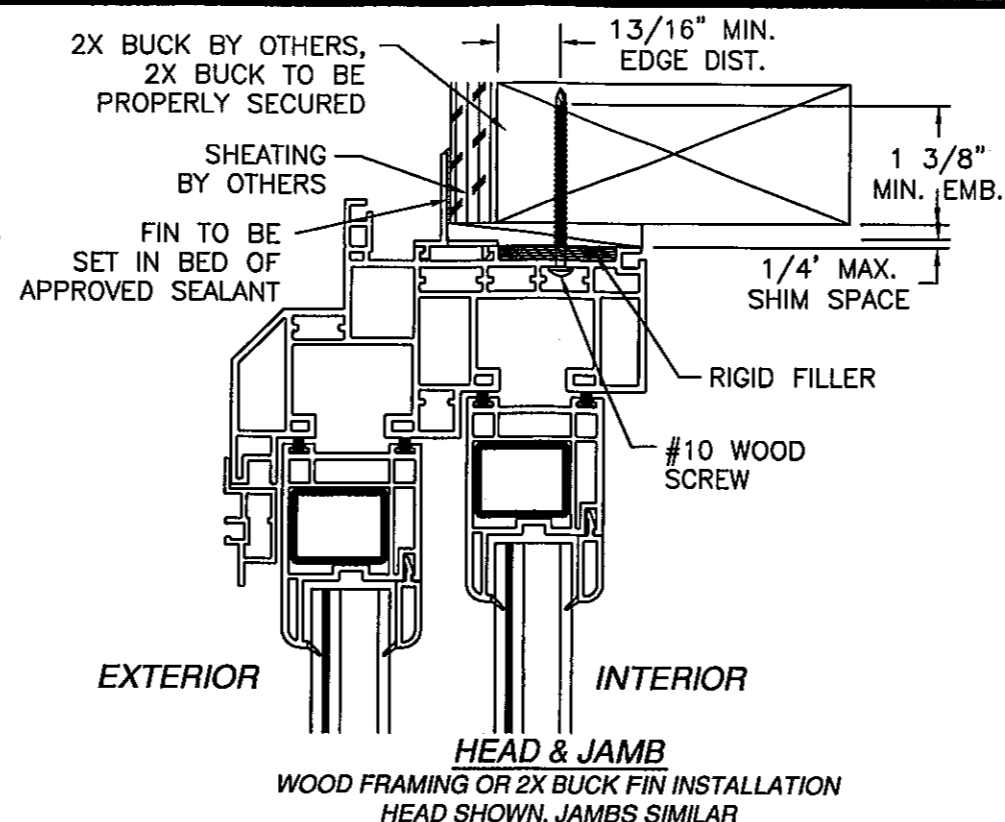




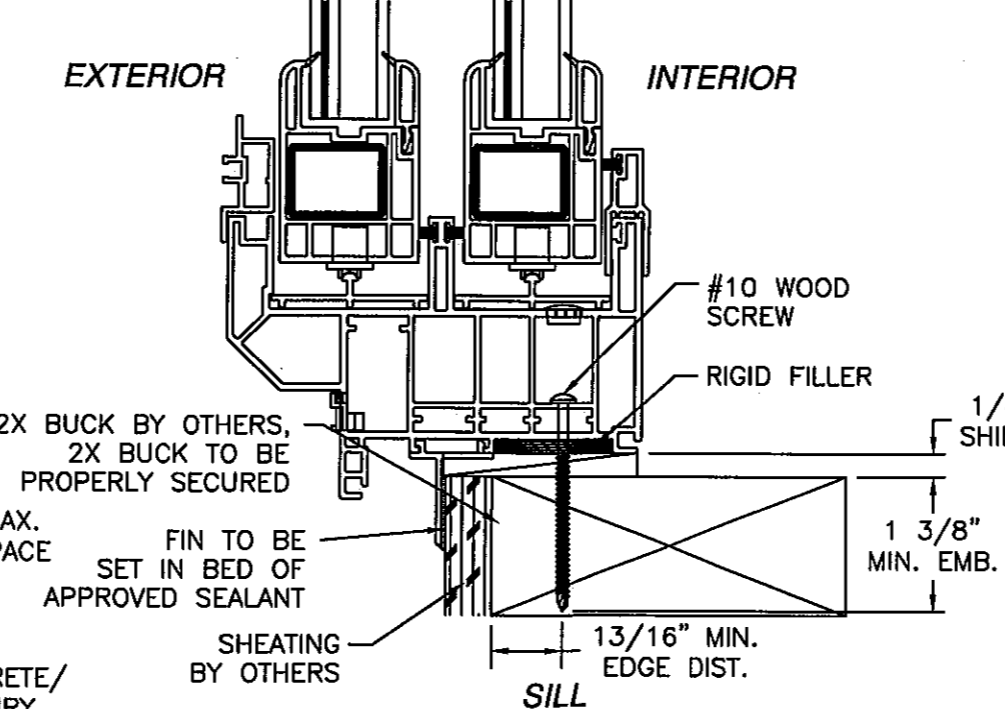
**HEAD & JAMB**  
CONCRETE/MASONRY FIN INSTALLATION  
HEAD SHOWN, JAMBS SIMILAR



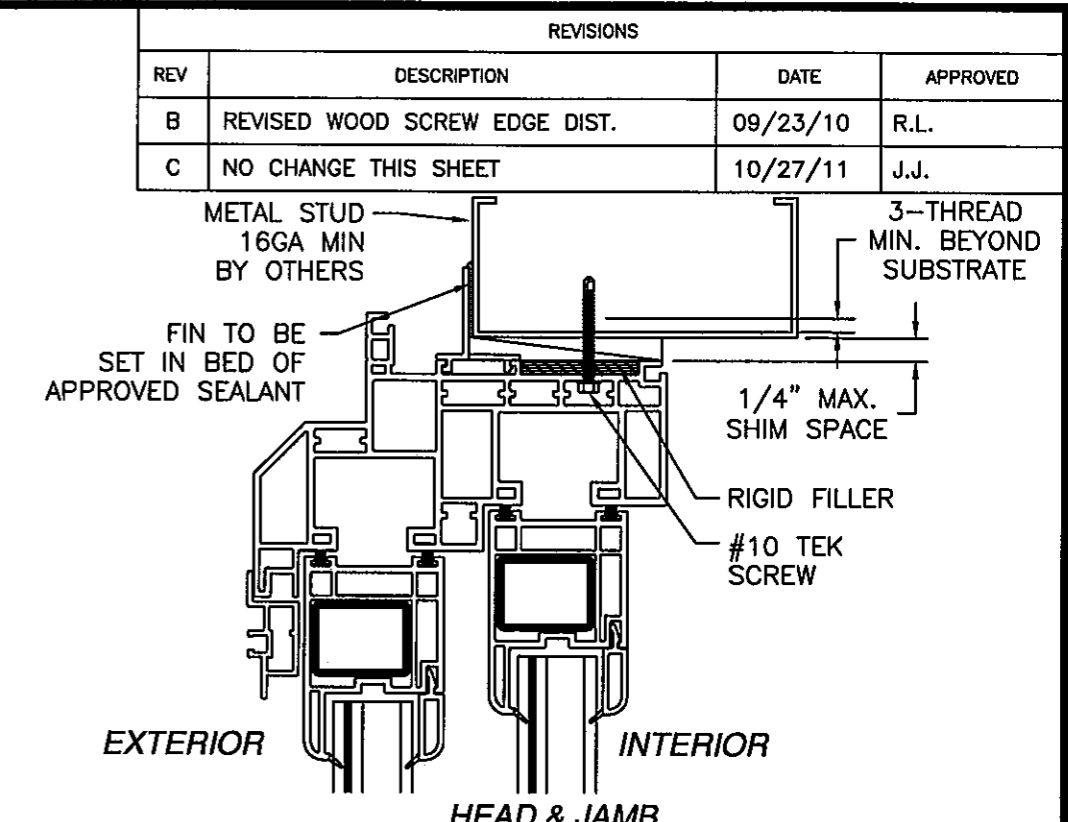
**SILL**  
CONCRETE/MASONRY FIN INSTALLATION



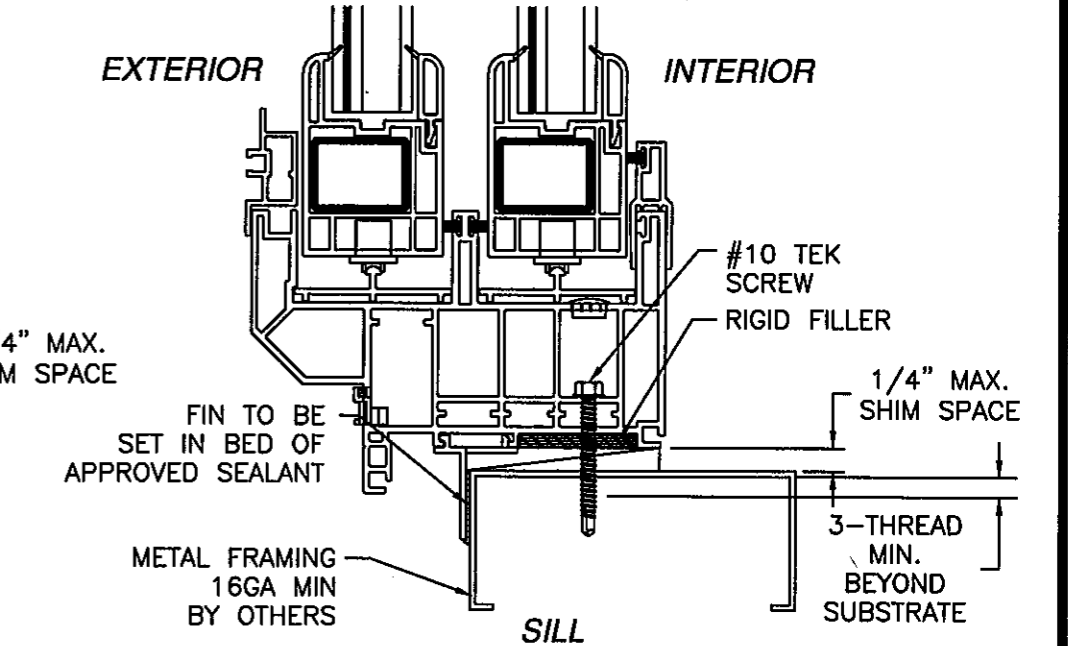
**HEAD & JAMB**  
WOOD FRAMING OR 2X BUCK FIN INSTALLATION  
HEAD SHOWN, JAMBS SIMILAR



**SILL**  
WOOD FRAMING OR 2X BUCK FIN INSTALLATION



**HEAD & JAMB**  
METAL FRAMING FIN INSTALLATION  
HEAD SHOWN, JAMBS SIMILAR



**SILL**  
METAL FRAMING FIN INSTALLATION

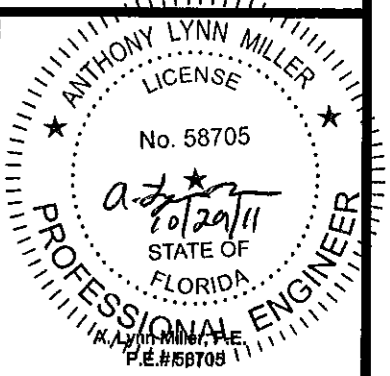
REVISIONS			
REV	DESCRIPTION	DATE	APPROVED
B	REVISED WOOD SCREW EDGE DIST.	09/23/10	R.L.
C	NO CHANGE THIS SHEET	10/27/11	J.J.

PRODUCT REVISED  
as complying with the Florida  
Building Code  
Acceptance No. 11-1114.09  
Expiration Date 12/23/2016  
By *[Signature]*  
Miami Dade Product Control

**PGT INDUSTRIES**  
1070 TECHNOLOGY DRIVE  
NOKOMIS, FL 34275

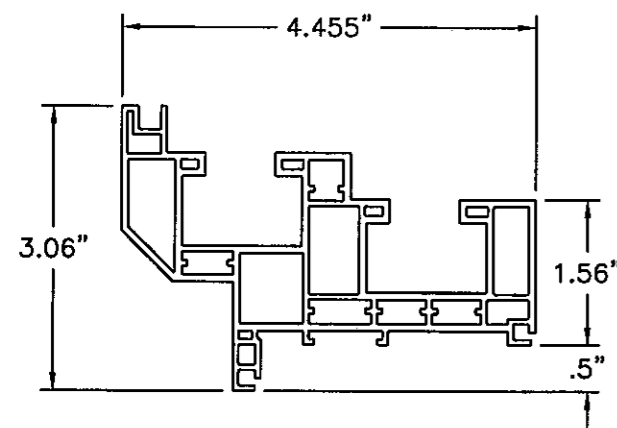
2LT HR2710 PVC HORIZONTAL ROLLER WINDOW LMI  
74 1/4" x 53 1/4"  
FIN INSTALLATION DETAILS

DRAWN: TJH	DWG NO. 08-00881	REV C
SCALE NTS	DATE 10/27/09	SHEET 5 OF 6

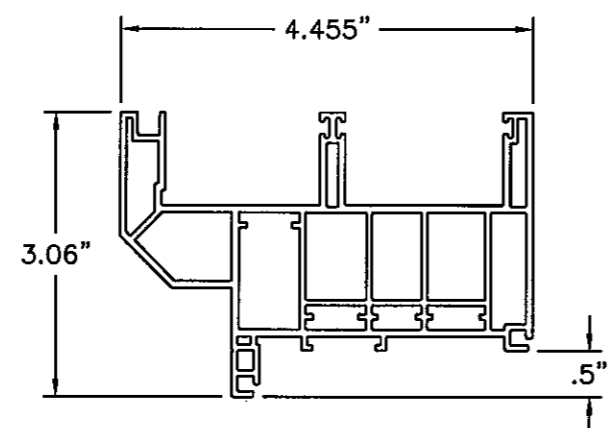




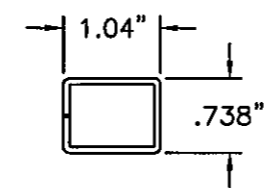
REVISIONS			
REV	DESCRIPTION	DATE	APPROVED
A	PER DADE LETTER DATED MAR. 25, 2010	5/19/10	R.L.
B	REVISED WOOD SCREW EDGE DIST.	09/23/10	R.L.
C	NO CHANGE THIS SHEET	10/27/11	J.J.



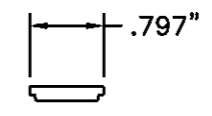
① **FRAME HEAD**  
RIGID PVC .075" THICK



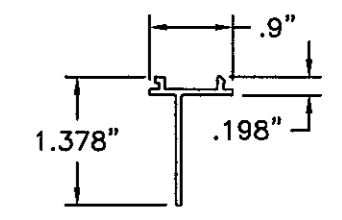
② **FRAME SILL AND JAMB**  
RIGID PVC .075" THICK



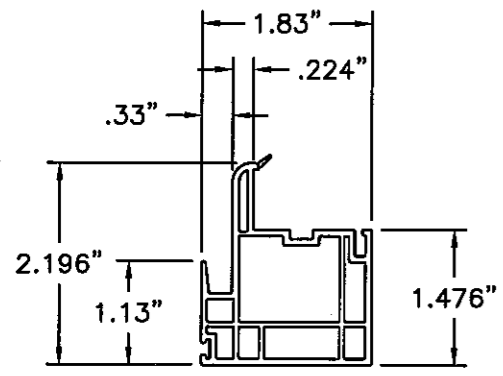
⑩ **SASH REINFORCEMENT**  
16GA GALVANIZED STEEL .064" THICK



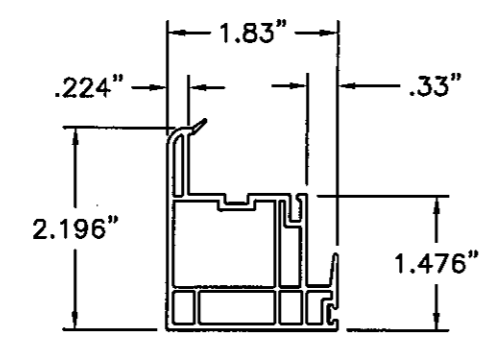
⑫ **RIGID FILLER**  
NEOPRENE .15" THICK



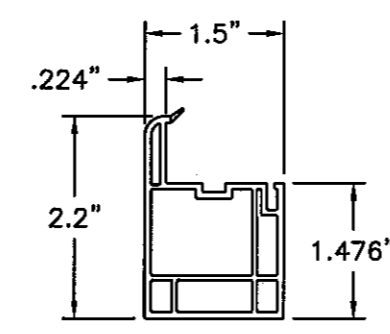
③ **FIN ADAPTER**  
RIGID PVC .062" THICK



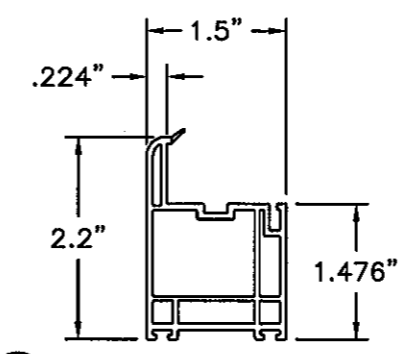
⑥ **SASH INTERNAL INTERLOCK**  
RIGID PVC .07" THICK



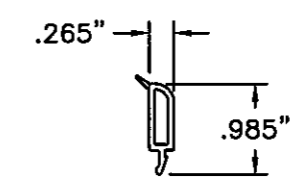
⑦ **SASH EXTERNAL INTERLOCK**  
RIGID PVC .07" THICK



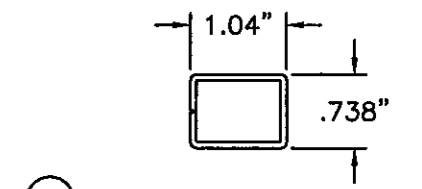
⑤ **SASH VERTICAL PLAIN**  
RIGID PVC .07" THICK



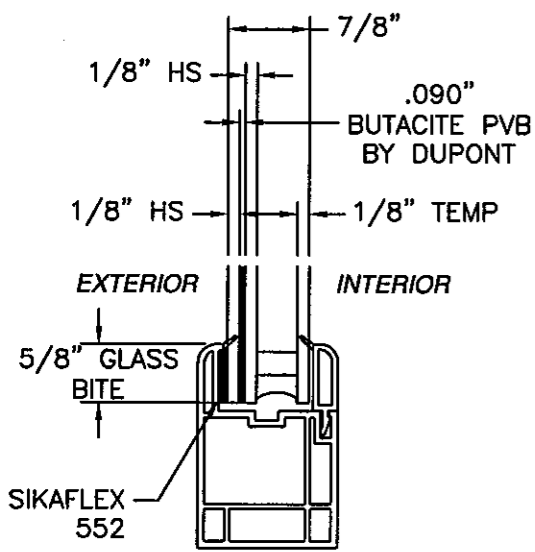
④ **SASH HORIZONTAL PLAIN**  
RIGID PVC .07" THICK



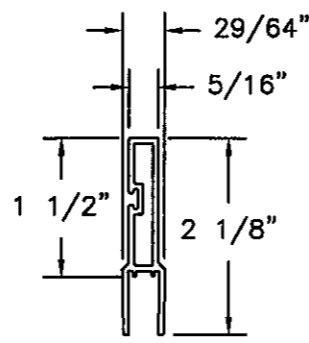
⑧ **SASH 7/8" PLAIN BEAD**  
RIGID PVC .06" THICK



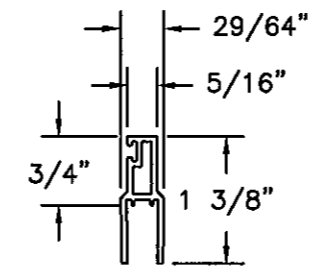
⑪ **SASH REINFORCEMENT**  
14GA GALVANIZED STEEL .079" THICK



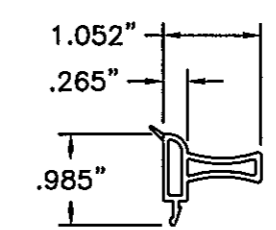
**GLAZING DETAIL**



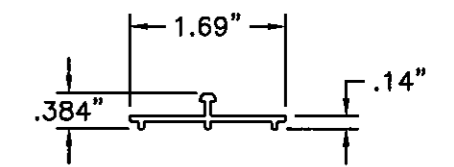
③⑩ **1 1/2" SILL RISER**  
RIGID PVC .060 THICK



②⑨ **3/4" SILL RISER**  
RIGID PVC .060 THICK



⑨ **SASH 7/8" LIFT BEAD**  
RIGID PVC .06" THICK



⑬ **ROLLER TRACK**  
ALUMINUM 6063-T6 .06" THICK

PRODUCT REVISED  
as complying with the Florida  
Building Code  
Acceptance No. **11-1114.09**  
Expiration Date **12/23/2018**  
By *[Signature]*  
Miami Dade Product Control

**PGT INDUSTRIES**  
1070 TECHNOLOGY DRIVE  
NOKOMIS, FL 34275

**2LT HR2710 PVC HORIZONTAL ROLLER WINDOW LMI**  
74 1/4" x 53 1/4"  
COMPONENTS AND GLAZING DETAIL

DRAWN: **TJH** DWG NO. **08-00881** REV **C**

SCALE **NTS** DATE **10/27/09** SHEET **6 OF 6**

