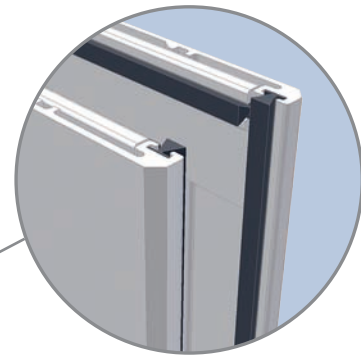


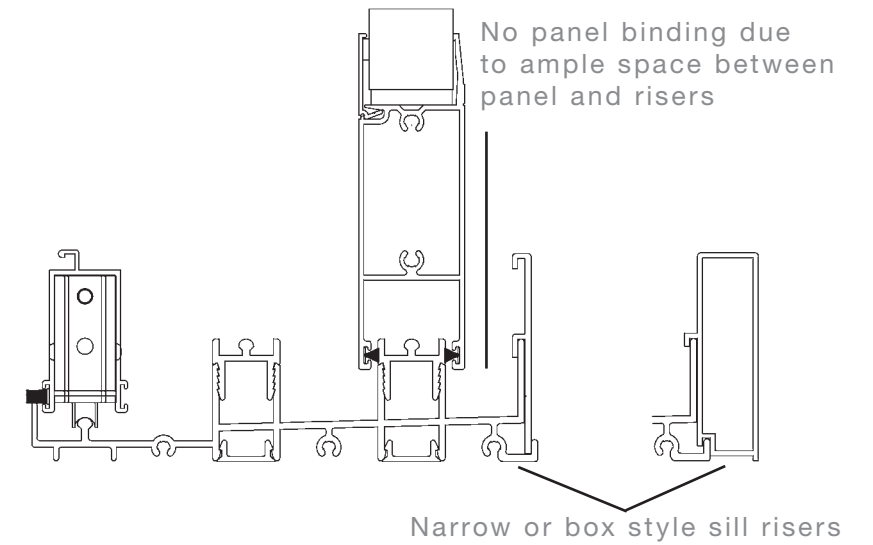
SGD 670/770



Beveled glass bed



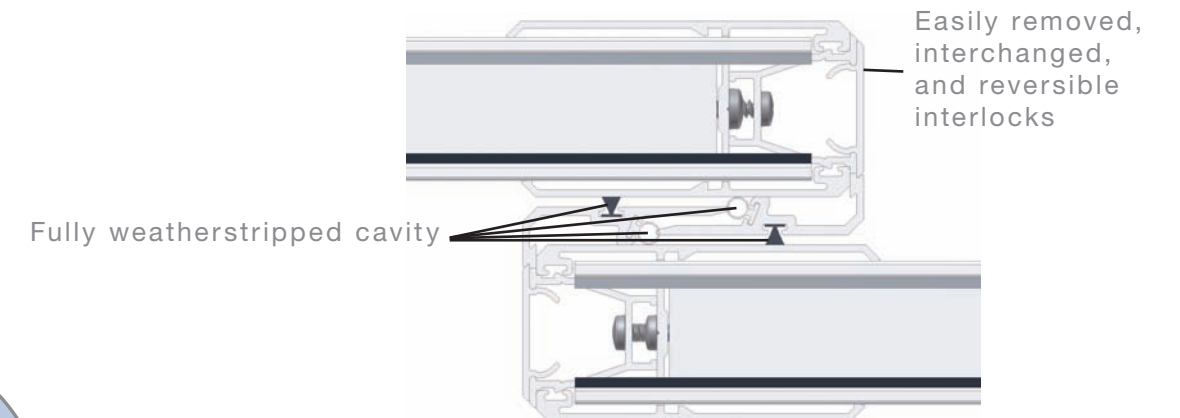
Concealed weatherstrip on panels



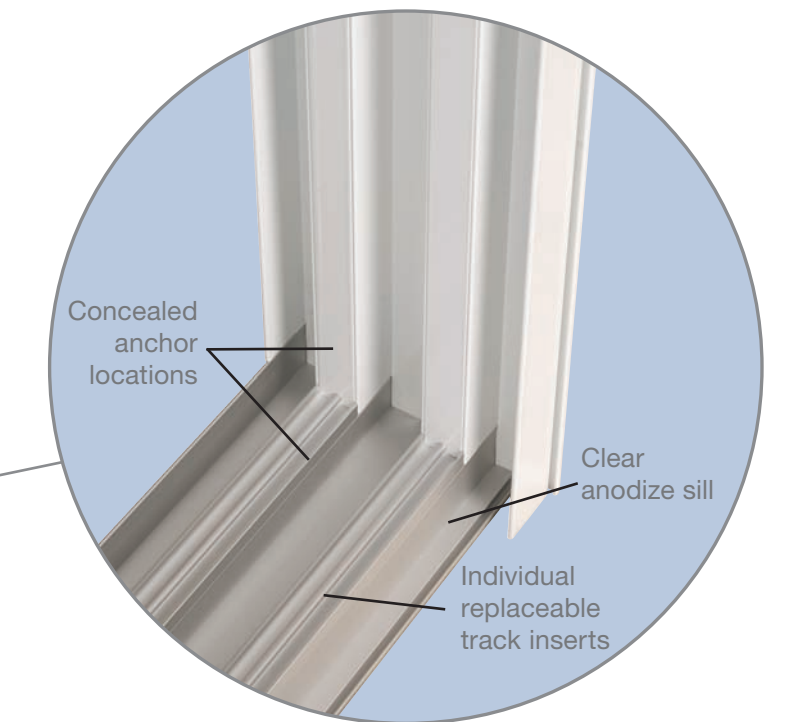
Optional locking recessed pull



Sturdy powder coated raised handle



Symmetrical panel reveal



ALUMINUM SERIES SGD 670

SPECIFICATIONS

- 3/16" Tempered glass
- Standard and custom sizes
- Maximum panel size is 4' x 10' or 5' x 8'
- Design pressure of +/- 60
- Tandem steel roller assembly
- Standard mortise lock
- Glazing is exterior
- Standard single interlocks
- Standard 2 1/2" exterior sill
- Sill is clear anodize

OPTIONS

- 1" Insulating glass
- Multi-panel, by-pass or pocket styles
- Corner meet configuration
- Design pressure of +/- 90 with stile upgrade
- Tandem stainless steel roller assembly
- Tandem nylon rollers
- 1 1/2" sill
- 3 1/4" sill
- 4" sill
- Recessed pull with lock
- Popular glass tints
- Low-e and argon gas
- Satin nickel or polished brass PVD hardware
- Box screen
- Colonial muntins
- Colonial insulating glass (muntins between the glass)
- Premium frame colors: Arizona Beige, Pebble Khaki, Venetian Bronze, Clear Anodize

High Performance Package

- Two, three or four panels on two tracks – by-pass only
- Maximum panel size is 4' x 9'
- Design pressure of +90/-110

TESTING

- Doors are tested in accordance with AAMA 101/I.S.2/A440/05 protocols
- Tested forced entry resistance to ASTM F842
- Tested air infiltration to ASTM E283
- Tested water resistance to E547/E331
- For Florida Product Approval
- For Miami-Dade County NOA
- Test reports available upon request

WINGUARD SERIES SGD 770

SPECIFICATIONS

- 7/16" Laminated glass
- Standard and custom sizes
- Maximum panel size is 4' x 10' or 5' x 8'
- Design pressure of +/- 60
- Tandem steel roller assembly
- Standard mortise lock
- Glazing is exterior
- Standard single interlocks
- Standard 2 1/2" exterior sill
- Sill is clear anodize

OPTIONS

- 1" Laminated insulating glass
- Multi-panel, by-pass or pocket styles
- Corner meet configuration
- Design pressure of +/- 90 with stile upgrade
- Tandem stainless steel roller assembly
- Tandem nylon rollers
- 1 1/2" sill
- 3 1/4" sill
- 4" sill
- Recessed pull with lock
- Popular glass tints
- Low-e and argon gas
- Satin nickel or polished brass PVD hardware
- Box screen
- Colonial muntins
- Colonial insulating glass (muntins between the glass)
- Premium frame colors: Arizona Beige, Pebble Khaki, Venetian Bronze, Clear Anodize, and ETERNA® Finish

High Performance Package

- Two, three or four panels on two tracks – by-pass only
- Maximum panel size is 4' x 9'
- Design pressure of +90/-110

TESTING

- Doors are tested in accordance with AAMA 101/I.S.2/A440/05 protocols
- Tested impact resistance to ASTM E1886 and E1996
- Tested forced entry resistance to ASTM F842
- Tested air infiltration to ASTM E283
- Tested water resistance to E547/E331
- For Florida Product Approval
- For Miami-Dade County NOA
- Test reports available upon request

WE KNOW THAT DURING INSTALLATION, THINGS DON'T ALWAYS GO AS SMOOTHLY AS YOU PLANNED. WITH A FEW INGENIOUS ENGINEERING TWEAKS, OUR NEW SLIDING GLASS DOOR OFFERS YOU JOBSITE FLEXIBILITY AND TRANSLATES INTO SAVED MONEY AND LESS HASSLE FOR YOUR INSTALLATION CREW!

- Interchangeable and reversible panel interlocks allow for easy reconfiguration on the job site without the risky reglazing process, in most circumstances, and with minimal parts.
- Ability to field change from standard stack to reverse stack, with no costly reglazing required.
- Panels can be installed or removed from the interior or exterior, so condo applications are a breeze.
- Separate one piece narrow sill riser for retrofit application, or standard flat riser allow for one piece replacement.
- Replaceable sill tracks can be easily replaced by individual drop-in parts, should jobsite damage occurs.

WE'VE EVEN GOT A LITTLE SOMETHING FOR THE HOMEOWNER TO ENJOY.

- Recessed pull with dual-point mortise lock provides extraordinary security over other market recessed pulls.
- These same recessed pulls allow for completely flush panels in a pocket opening, which means homeowners enjoy a wider view.
- Optional finish colors include new Clear Anodize and our other premium colors: Arizona Beige, Pebble Khaki, Venetian Bronze and ETERNA® Finish.
- Whisper quiet operation with optional Delrin® nylon wheels available at no extra cost.
- No visible installation or assembly screws provide a finished look.
- Replaceable interlock screw cover can be custom ordered after installation to eliminate any openings or gaps.

AND OF COURSE THE DETAILS...

- Available with one panel or up to eight panels, and with by-pass, pocket or corner doors.
- Choice of monolithic glass, insulating glass, laminated glass or laminated insulating glass.
- White or bronze frame standard.
- Dual-point, mortise locking mechanism and choice of raised styled pull handles or recessed pulls.
- Roller assembly options: 2 1/8" wheels as either tandem steel wheels, tandem Delrin® wheels with stainless steel housing or tandem stainless steel wheels.
- Design pressures of +/-60 and up to +90/-110 for commercial applications with our High Performance Package.

