



**BUILDING CODE COMPLIANCE OFFICE (BCCO)  
PRODUCT CONTROL DIVISION**

**MIAMI-DADE COUNTY, FLORIDA  
METRO-DADE FLAGLER BUILDING  
140 WEST FLAGLER STREET, SUITE 1603  
MIAMI, FLORIDA 33130-1563  
(305) 375-2901 FAX (305) 375-2908**

**[www.buldingcodeonline.com](http://www.buldingcodeonline.com)**

**NOTICE OF ACCEPTANCE (NOA)**

**PGT Industries  
1070 Technology Drive  
Nokomis, FL 34275**

**SCOPE:**

This NOA is being issued under the applicable rules and regulations governing the use of construction materials. The documentation submitted has been reviewed by Miami-Dade County Product Control Division and accepted by the Board of Rules and Appeals (BORA) to be used in Miami Dade County and other areas where allowed by the Authority Having Jurisdiction (AHJ).

This NOA shall not be valid after the expiration date stated below. The Miami-Dade County Product Control Division (In Miami Dade County) and/or the AHJ (in areas other than Miami Dade County) reserve the right to have this product or material tested for quality assurance purposes. If this product or material fails to perform in the accepted manner, the manufacturer will incur the expense of such testing and the AHJ may immediately revoke, modify, or suspend the use of such product or material within their jurisdiction. BORA reserves the right to revoke this acceptance, if it is determined by Miami-Dade County Product Control Division that this product or material fails to meet the requirements of the applicable building code.

This product is approved as described herein, and has been designed to comply with the Florida Building Code, including the High Velocity Hurricane Zone.

**DESCRIPTION: Series "PW 3020" Aluminum Fixed Window – L.M.I.**

**APPROVAL DOCUMENT:** Drawing No. 3020-1, titled "Aluminum Picture Window, Impact", sheets 1 through 3 of 3, dated 6/1/07, prepared by manufacturer, signed and sealed by Robert L. Clark, P.E., bearing the Miami-Dade County Product Control Approval stamp with the Notice of Acceptance number and approval date by the Miami-Dade County Product Control Division.

**MISSILE IMPACT RATING: Large and Small Missile Impact Resistant**

**LABELING:** Each unit shall bear a permanent label with the manufacturer's name or logo, city, state and following statement: "Miami-Dade County Product Control Approved", unless otherwise noted herein.

**RENEWAL** of this NOA shall be considered after a renewal application has been filed and there has been no change in the applicable building code negatively affecting the performance of this product.

**TERMINATION** of this NOA will occur after the expiration date or if there has been a revision or change in the materials, use, and/or manufacture of the product or process. Misuse of this NOA as an endorsement of any product, for sales, advertising or any other purposes shall automatically terminate this NOA. Failure to comply with any section of this NOA shall be cause for termination and removal of NOA.

**ADVERTISEMENT:** The NOA number preceded by the words Miami-Dade County, Florida, and followed by the expiration date may be displayed in advertising literature. If any portion of the NOA is displayed, then it shall be done in its entirety.

**INSPECTION:** A copy of this entire NOA shall be provided to the user by the manufacturer or its distributors and shall be available for inspection at the job site at the request of the Building Official.

This NOA consists of this page 1 and evidence page E-1, as well as approval document mentioned above. The submitted documentation was reviewed by **Manuel Perez, P.E.**



**NOA No. 07-0613.02  
Expiration Date: August 16, 2012  
Approval Date: August 16, 2007  
Page 1**

**PGT Industries**

**NOTICE OF ACCEPTANCE: EVIDENCE SUBMITTED**

**A. DRAWINGS**

1. Manufacturer's die drawings and sections.
2. Drawing No **3020-1**, Sheets 1 through 3 of 3, titled "Aluminum Picture Window, Impact", dated 6/1/07, prepared by manufacturer, signed and sealed by Robert L. Clark, P.E.

**B. TESTS**

1. Test reports on 1) Air Infiltration Test, per FBC, TAS 202-94  
2) Uniform Static Air Pressure Test, Loading per FBC TAS 202-94  
3) Water Resistance Test, per FBC, TAS 202-94  
4) Large Missile Impact Test per FBC, TAS 201-94  
5) Cyclic Wind Pressure Loading per FBC, TAS 203-94  
along with marked-up drawings and installation diagram of series 3020 aluminum fixed window, prepared by Architectural Testing, Inc., Test Report No. ATI-72135.01-401-18, dated 05/07/07 signed and sealed by Joseph A. Reed, P.E.

**C. CALCULATIONS**

1. Anchor verification calculations and structural analysis, complying with FBC-2004, prepared by manufacturer, dated 6/5/07, signed and sealed by Robert L. Clark, P.E.  
**Complies with ASTM E1300-02**

**D. QUALITY ASSURANCE**

1. Miami Dade Building Code Compliance Office (BCCO).

**E. MATERIAL CERTIFICATIONS**

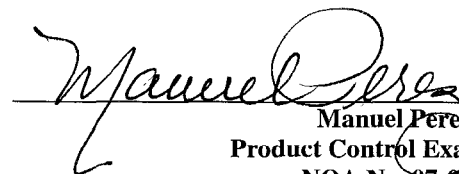
1. Notice of Acceptance No. **06-1205.10** issued to E.I. DuPont DeNemours & Co., Inc. for their "DuPont **Sentry Glass ® Plus**" dated 02/15/07, expiring on 01/14/08.

**F. STATEMENTS**

1. Statement letter of conformance, dated June 7, 2007, signed and sealed by Robert L. Clark, P.E.
2. Statement letter of no financial interest, dated June 7, 2007, signed and sealed by Robert L. Clark, P.E.
3. Laboratory compliance letter for Test Report no. **ATI-72135.01-401-18**, issued by Architectural Testing, Inc., dated May 10, 2007, signed and sealed by Joseph A. Reed, P.E.

**G. OTHER**

1. None.

  
Manuel Perez, P.E.  
Product Control Examiner  
NOA No. **07-0613.02**  
Expiration Date: August 16, 2012  
Approval Date: August 16, 2007

# GENERAL NOTES: LARGE MISSILE IMPACT PICTURE WINDOW

- GLAZING OPTION(S): A. 9/16" LAMI: (2) LITES OF 1/4" HEAT STRENGTHENED GLASS (HS) GLASS WITH AN .090" SENTRYGLAS PLUS (SGP) INTERLAYER.
- CONFIGURATIONS: Q  
APPROVAL APPLIES TO FIXED WINDOWS OF EQUAL LEG FRAMES. SIDE BY SIDE COMBINATIONS OF FIXED/FIXED OR FIXED WITH OTHER WINDOW TYPES IN MODULES OF TWO OR MORE WINDOWS USING APPROVED MULLIONS.
- DESIGN PRESSURES: A. NEGATIVE DESIGN LOADS BASED ON TESTED PRESSURE AND GLASS TABLES ASTM E 1300-02.  
B. POSITIVE DESIGN LOADS BASED ON WATER TEST PRESSURE AND GLASS TABLES ASTM E 1300-02.
- ANCHORAGE: ANCHOR SHALL BE AS LISTED AND SPACED AS SHOWN ON DETAILS. ANCHOR EMBEDMENT TO SUBSTRATE SHALL BE BEYOND WALL DRESSING OR STUCCO. THE 33 1/3% STRESS INCREASE HAS NOT BEEN USED IN THE DESIGN OF THIS PRODUCT. MATERIALS, INCLUDING BUT NOT LIMITED TO STEEL SCREWS, THAT COME INTO CONTACT WITH OTHER DISSIMILAR MATERIALS SHALL MEET THE REQUIREMENTS OF THE FLORIDA BUILDING CODE. HEAD, SILL & JAMB SPACINGS, SHUTTERS ARE NOT REQUIRED.  
APPROVED ANCHOR TYPES: 1, #14 STEEL SCREW (G5) 2, 1/4" ELCO TAPCON 3, 1/4" ELCO SS CRETE-FLEX 4, 3/8" ITW RAMSET TAPCON 5, #14 SMS 6, 1/4" STEEL BOLT
- INSTALLATION SCREWS, FRAME AND PANEL CORNERS SEALED WITH NARROW JOINT SEALANT.
- REFERENCES: TEST REPORT AT172135.01-401-18; ELCO TEXTRON NOA 04-0721.01, 03-0225.05; ITW RAMSET/REDHEAD NOA 04-1025.08; ANSI/AF&PA NDS-2005 FOR WOOD CONSTRUCTION; ADM-2005 ALUMINUM DESIGN MANUAL
- THIS PRODUCT HAS BEEN DESIGNED & TESTED TO COMPLY WITH THE REQUIREMENTS OF THE FLORIDA BUILDING CODE, CURRENT EDITION INCLUDING THE HIGH VELOCITY HURRICANE ZONE (HVHZ).

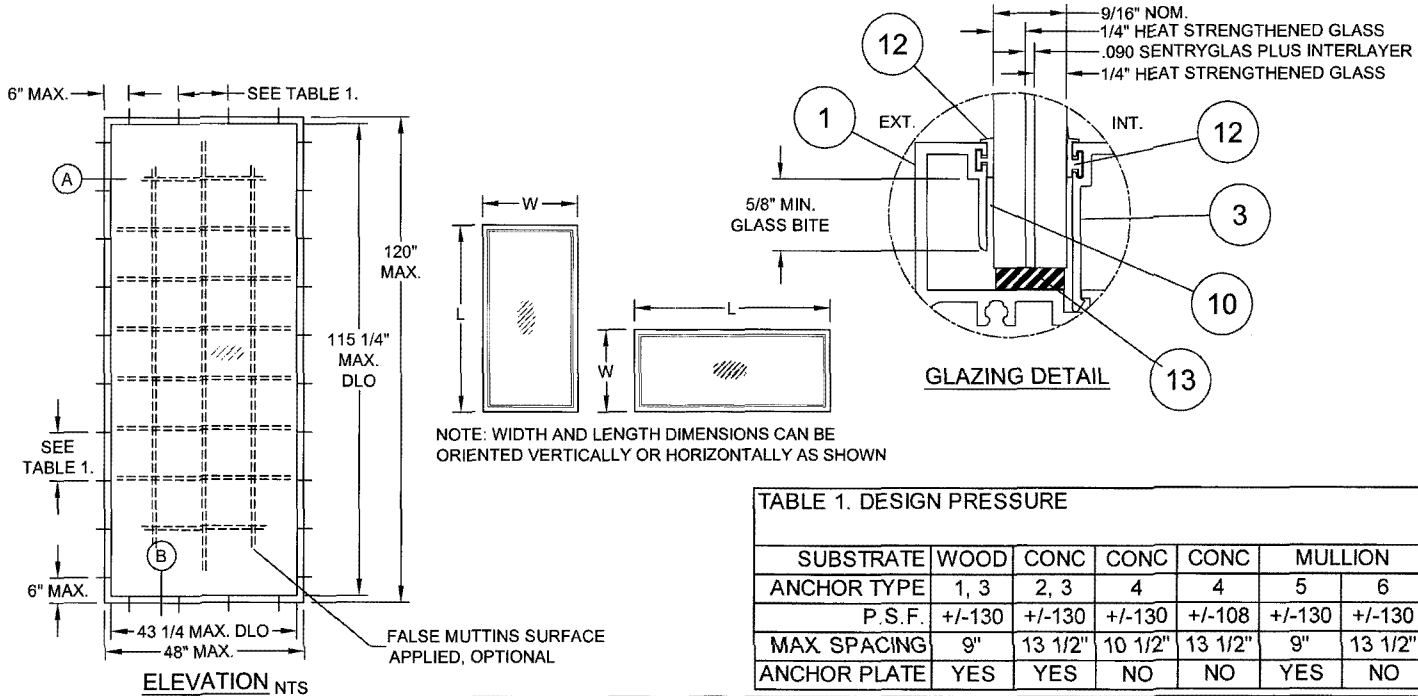


TABLE 1. DESIGN PRESSURE

SUBSTRATE	WOOD	CONC	CONC	CONC	MULLION	
ANCHOR TYPE	1, 3	2, 3	4	4	5	6
P.S.F.	+/-130	+/-130	+/-130	+/-108	+/-130	+/-130
MAX SPACING	9"	13 1/2"	10 1/2"	13 1/2"	9"	13 1/2"
ANCHOR PLATE	YES	YES	NO	NO	YES	NO

Approved as complying with the Florida Building Code  
 Date Aug 16 2007  
 NOA# 07-0613-02  
 Miami Dade Product Control Division  
 By Marcus Perry

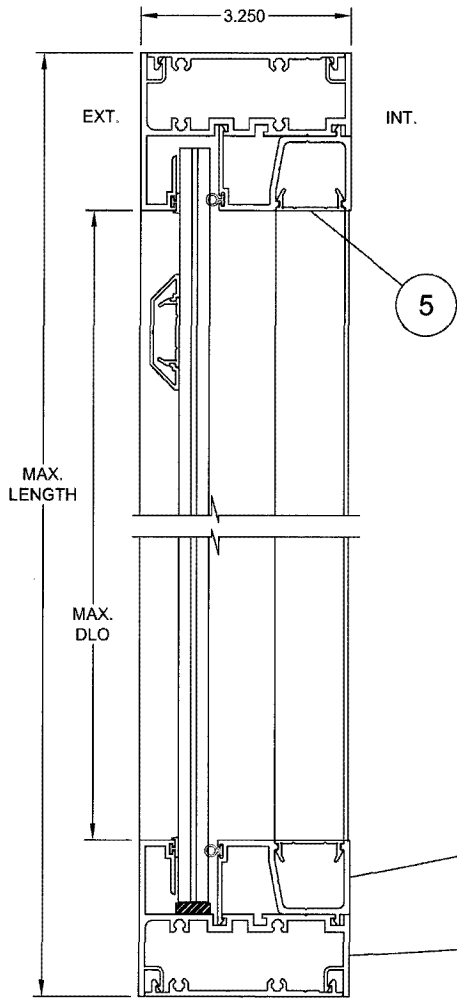
R. L. Clark  
 6/7/06  
 Robert L. Clark, P.E.  
 PE #39712  
 Structural

Revised By:	Date:	Revisions:	
Revised By:	Date:	Revisions:	
Revised By:	Date:	Revisions:	
Drawn By:	Date:	Checked By:	Date:
F.K.	6/1/07	J.R.	6/6/07

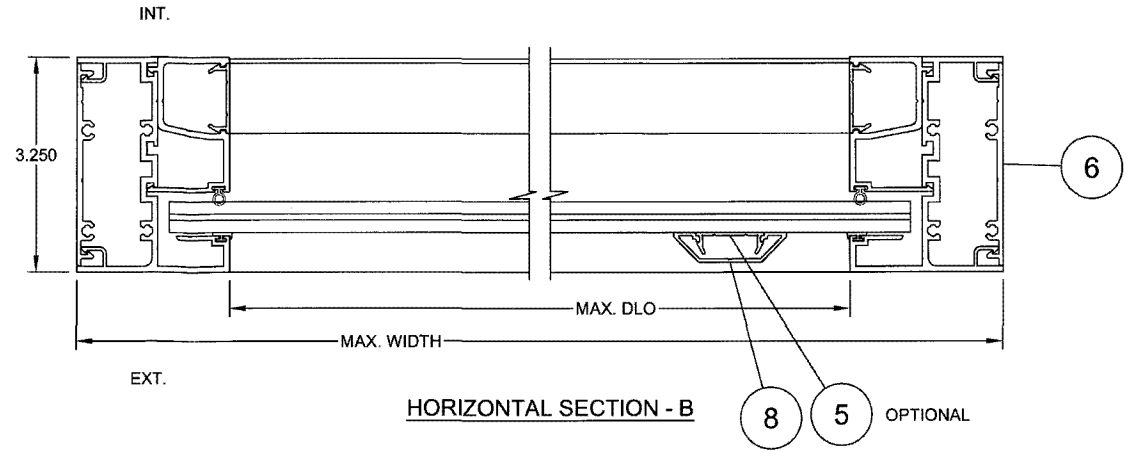
1070 TECHNOLOGY DRIVE  
 NOKOMIS, FL 34275  
 P.O. BOX 1529  
 NOKOMIS, FL 34274



Description:			
GENERAL NOTES, ELEVATION & GLAZING DETAIL			
Title:			
ALUMINUM PICTURE WINDOW, IMPACT			
Series/Model:	Scale:	Sheet:	Drawing No.
PW3020	1x	1 of 3	3020-1
Rev:			

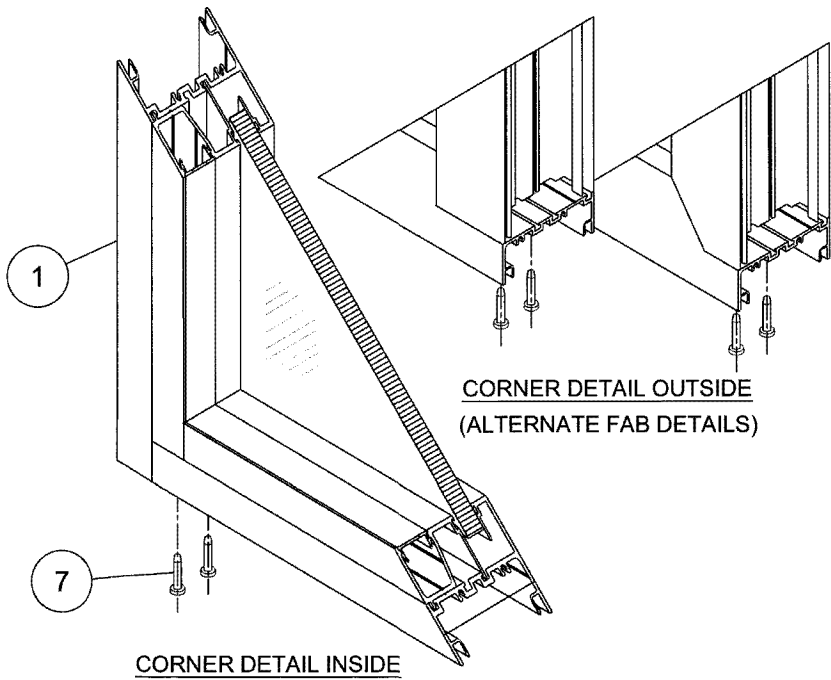


**VERTICAL SECTION - A**



**HORIZONTAL SECTION - B**

OPTIONAL



Approved as complying with the Florida Building Code  
 Date: Aug 16, 2007  
 NOAH: 07-0013.02  
 Miami Date: Product Control  
 Division  
 By: *[Signature]*

*[Signature]*  
 6/7/07  
 Robert L. Clark, P.E.  
 PE #39712  
 Structural

Revised By:	Date:	Revisions:	
Revised By:	Date:	Revisions:	
Revised By:	Date:	Revisions:	
Drawn By:	Date:	Checked By:	Date:
F.K.	6/1/07	J.R.	6/8/07

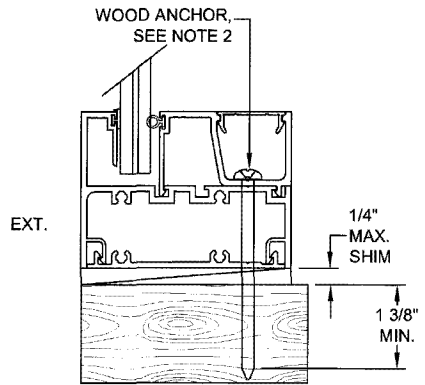
1070 TECHNOLOGY DRIVE  
 NOKOMIS, FL 34275  
 P.O. BOX 1529  
 NOKOMIS, FL 34274



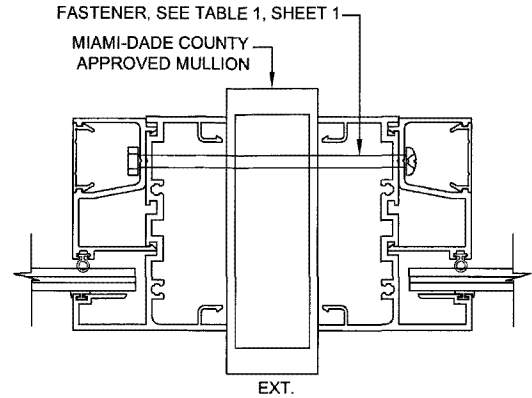
Description:			
<b>SECTIONS</b>			
Title:			
<b>ALUMINUM PICTURE WINDOW, IMPACT</b>			
Series/Model:	Scale:	Sheet:	Drawing No.
PW3020	.5X	2 of 3	3020-1
			Rev:

**NOTES:**

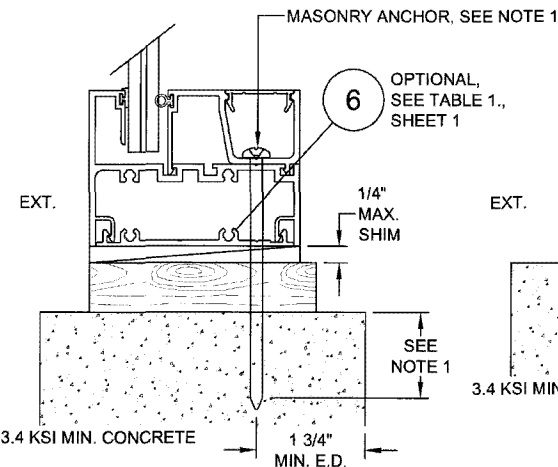
1. FOR CONCRETE APPLICATIONS USE ANCHOR TYPE 2 (1 3/8" MIN. EMBEDMENT), TYPE 3 (1 1/4" MIN. EMBEDMENT), OR TYPE 4 (2" MIN. EMBEDMENT) OR OTHER MIAMI-DADE COUNTY APPROVED EQUAL, MASONRY FASTENER. SEE SHEET 1, FOR ANCHOR DESCRIPTION SPACING.
2. FOR WOOD APPLICATIONS USE ANCHOR TYPES 1 OR 3. SEE SHEET 1 FOR ANCHOR DESCRIPTION AND SPACING.
3. WOOD BUCKS DEPICTED AS 1x ARE LESS THAN 1 1/2" THICK. 1x WOOD BUCKS ARE OPTIONAL IF UNIT IS INSTALLED DIRECTLY TO SOLID CONCRETE. WOOD BUCKS DEPICTED AS 2x ARE 1 1/2" THICK OR GREATER. INSTALLATION TO THE SUBSTRATE OF WOOD BUCKS TO BE ENGINEERED BY OTHERS OR AS APPROVED BY THE AUTHORITY HAVING JURISDICTION (AHJ).



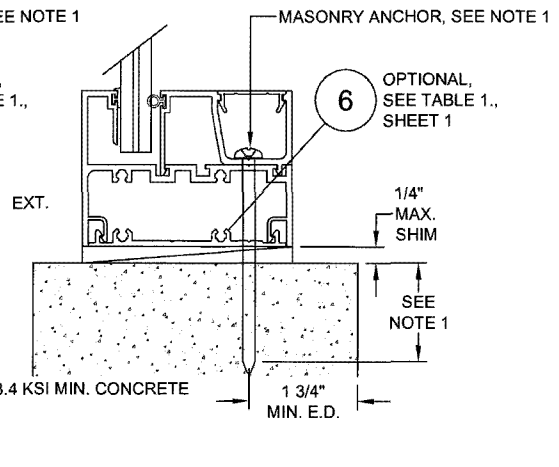
**TYPE HEAD, SILL & JAMB (2x WOOD)**



**MULLED EXAMPLE - ENGINEERED BY OTHERS**

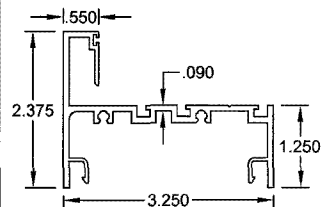


**TYPE HEAD, SILL & JAMB (CONCRETE W/ 1x BUCK)**

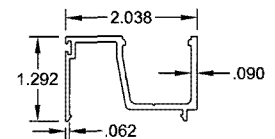


**TYPE HEAD, SILL & JAMB (DIRECTLY TO CONCRETE)**

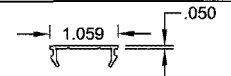
ITEM	PART #	DESCRIPTION	MATL	VENDOR #
1	13102	FRAME, FEMALE	6063-T5	3506GW-90-7
3	13105	GLAZING BEAD, TYPE 1	6063-T5	3506GW-90-3
5	13106	ANCHOR COVER PLATE	6063-T5	3506GW-90-5
6	13103	ANCHOR PLATE	6063-T5	3506GW-90-9
7		#10 X 1" PH SMS	S.S.	
8	13053	MUTTIN/MULL COVER	6063-T5	3506GW-590-3
10		BACKBEDDING	SILICONE	GE RS 7700
11		SEAM-SEALER		
12	13060	GLAZING LEG WSTP.		TEAM PLASTICS
13	1614	SETTING BLOCK 1/8"x1/2"x1"	EPDM	
14	9/16" LAMI (1/4" HS, .090 SGP, 1/4" HS)		GLASS	PGT



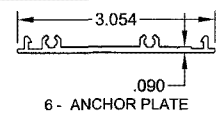
1 - FRAME, FEMALE



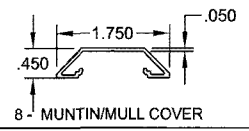
3 - GLAZING BEAD, TYPE 1



5 - ANCHOR COVER PLATE



6 - ANCHOR PLATE



8 - MUNTIN/MULL COVER

Approved as complying with the Florida Building Code  
 Date: Aug 16, 2007  
 NO. 07-0613.07  
 Miami Dade Product Control Division  
 By: *[Signature]*

*[Signature]*  
 6/7/07  
 Robert L. Clark, P.E.  
 PE #39712  
 Structural

Revised By:	Date:	Revisions:
Revised By:	Date:	Revisions:
Revised By:	Date:	Revisions:
Drawn By:	Date:	Checked By:
F.K.	6/1/07	J.R.

1070 TECHNOLOGY DRIVE  
 NOKOMIS, FL 34275  
 P.O. BOX 1529  
 NOKOMIS, FL 34274



Description: <b>PARTS LIST, EXTRUSIONS &amp; ANCHORAGE</b>			
Title: <b>ALUMINUM PICTURE WINDOW, IMPACT</b>			
Series/Model: PW3020	Scale: .5X	Sheet: 3 of 3	Drawing No. 3020-1
Rev:			