



BUILDING CODE COMPLIANCE OFFICE (BCCO)
PRODUCT CONTROL DIVISION

MIAMI-DADE COUNTY, FLORIDA
METRO-DADE FLAGLER BUILDING
140 WEST FLAGLER STREET, SUITE 1603
MIAMI, FLORIDA 33130-1563
(305) 375-2901 FAX (305) 375-2908

NOTICE OF ACCEPTANCE (NOA)

www.buildingcodeonline.com

PGT Industries
1070 Technology Drive
Nokomis, FL 3427

SCOPE:

This NOA is being issued under the applicable rules and regulations governing the use of construction materials. The documentation submitted has been reviewed by Miami-Dade County Product Control Division and accepted by the Board of Rules and Appeals (BORA) to be used in Miami Dade County and other areas where allowed by the Authority Having Jurisdiction (AHJ).

This NOA shall not be valid after the expiration date stated below. The Miami-Dade County Product Control Division (In Miami Dade County) and/or the AHJ (in areas other than Miami Dade County) reserve the right to have this product or material tested for quality assurance purposes. If this product or material fails to perform in the accepted manner, the manufacturer will incur the expense of such testing and the AHJ may immediately revoke, modify, or suspend the use of such product or material within their jurisdiction. BORA reserves the right to revoke this acceptance, if it is determined by Miami-Dade County Product Control Division that this product or material fails to meet the requirements of the applicable building code.

This product is approved as described herein, and has been designed to comply with the Florida Building Code, including the High Velocity Hurricane Zone.

DESCRIPTION: 1"x Std. Wall-Aluminum Tube Clipped Mullion-L.M.I.

APPROVAL DOCUMENT: Drawing No. 6220, titled "1" STD. Wall, Elevations Aluminum Tube Clipped Mullion", sheets 1 through 5 of 5, prepared by PGT Industries, signed and sealed by Robert L. Clark, P.E., dated 04/28/00, with last revision on 05/30/06, bearing the Miami-Dade County Product Control Renewal Stamp with last the Notice of Acceptance number and expiration date by the Miami-Dade County Product Control Division.

MISSILE IMPACT RATING: Large and Small Missile Impact

LABELING: Each unit shall bear a permanent label with the manufacturer's name or logo, city, state and following statement: "Miami-Dade County Product Control Approved", unless otherwise noted herein.

RENEWAL of this NOA shall be considered after a renewal application has been filed and there has been no change in the applicable building code negatively affecting the performance of this product.

TERMINATION of this NOA will occur after the expiration date or if there has been a revision or change in the materials, use, and/or manufacture of the product or process. Misuse of this NOA as an endorsement of any product, for sales, advertising or any other purposes shall automatically terminate this NOA. Failure to comply with any section of this NOA shall be cause for termination and removal of NOA.

ADVERTISEMENT: The NOA number preceded by the words Miami-Dade County, Florida, and followed by the expiration date may be displayed in advertising literature. If any portion of the NOA is displayed, then it shall be done in its entirety.

INSPECTION: A copy of this entire NOA shall be provided to the user by the manufacturer or its distributors and shall be available for inspection at the job site at the request of the Building Official.

This NOA **revises and renews** NOA # 04-0528.04 and, consists of this page 1 and evidence pages E-1 and E-2, as well as approval document mentioned above.

The submitted documentation was reviewed by **Jaime D. Gascon, P.E.**



J. Gascon
6/28/06

NOA No 06-0125.06
Expiration Date: June 28, 2011
Approval Date: July 20, 2006
Page 1

PGT Industries

NOTICE OF ACCEPTANCE: EVIDENCE SUBMITTED

A. DRAWINGS

1. Manufacturer's die drawings and sections.
2. Drawing No **6220**, Sheets 1 through 5 of 5, titled "1" STD. Wall, Elevations Aluminum Tube Clipped Mullion, prepared by PGT Industries, dated 04/28/00, with last revision on 05/30/06, signed and sealed by Robert L. Clark, P.E.

B. TESTS

1. Test reports on 1) Uniform Load Static Air Pressure Test, per FBC, TAS 202-94
2) Large Missile Impact Test, FBC, TAS 201-94
3) Cyclic Loading Test, per FBC, TAS 203-94
along with installation diagram of a pair of fixed alum. windows (OO configuration) 60" x 54" mullied together with a 1x 2 x std. wall mullion, prepared by Fenestration Testing Laboratory, Inc., Test Report No. **FTL-2902**, dated 01/05/01, signed and sealed by Antonio Acevedo, P.E.
"Submitted under NOA# 04-0528.04"
2. Test reports on 1) Uniform Load Static Air Pressure Test, per FBC, TAS 202-94
2) Large Missile Impact Test, FBC, TAS 201-94
3) Cyclic Loading Test, per FBC, TAS 203-94
along with installation diagram of a pair of fixed alum. windows (OO configuration) 80" x 76" mullied together with a 1x 4 x std. wall mullion, prepared by Fenestration Testing Laboratory, Inc., Test Report No. **FTL-2903**, dated 01/05/01, signed and sealed by Antonio Acevedo, P.E.
"Submitted under NOA# 04-0528.04"
3. Test reports on 1) Uniform Load Static Air Pressure Test, per FBC, TAS 202-94
2) Large Missile Impact Test, FBC, TAS 201-94
3) Cyclic Loading Test, per FBC, TAS 203-94
along with installation diagram of a pair of fixed alum. windows with a transom lite (O/OO configuration) mullied together with a 1x 2 x 3/4" wall vertical mullion and a 2 x 6" x 1/4" wall horizontal mullion, prepared by Fenestration Testing Laboratory, Inc., Test Report No. **FTL-2975**, dated 01/23/01, signed and sealed by Antonio Acevedo, P.E.
"Submitted under NOA# 04-0528.04"

C. CALCULATIONS

1. Revised Anchor Calculations and structural analysis, complying with FBC-2004, prepared by PGT Industries, dated 05/30/06, signed and sealed by Robert L. Clark, P.E.



Jaime D. Gascon, P.E.
Chief, Product Control Division
NOA No 06-0125.06
Expiration Date: June 28, 2011
Approval Date: July 20, 2006

PGT Industries

NOTICE OF ACCEPTANCE: EVIDENCE SUBMITTED

D. QUALITY ASSURANCE

1. Miami Dade Building Code Compliance Office (BCCO).

E. MATERIAL CERTIFICATIONS

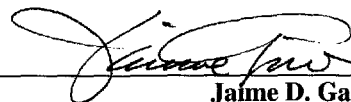
1. Notice of Acceptance No. **04-0721.01** issued to Elco Textron, Inc., for Tapcon Concrete Anchor, dated 03/09/06, expiring on 01/08/11.

F. STATEMENTS

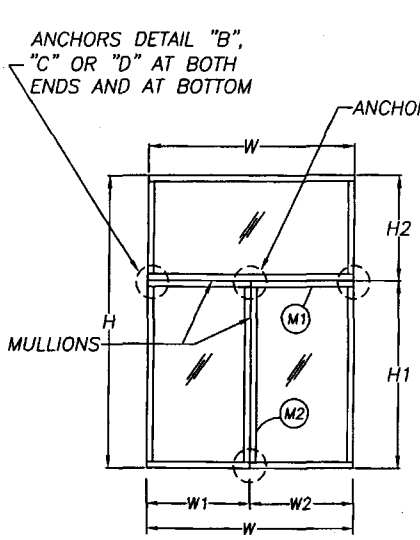
1. Statement letter of conformance and no financial interest, dated 01/23/06, signed and sealed by Robert L. Clark, P.E.

G. OTHER

1. Notice of Acceptance No. **04-0528.04**, issued to PGT Industries for 1" x Std. Wall-Aluminum Tube Clipped Mullions, dated 07/08/04 and expiring on 06/28/06.



Jaime D. Gascon, P.E.
Chief, Product Control Division
NOA No 06-0125.06
Expiration Date: June 28, 2011
Approval Date: July 20, 2006

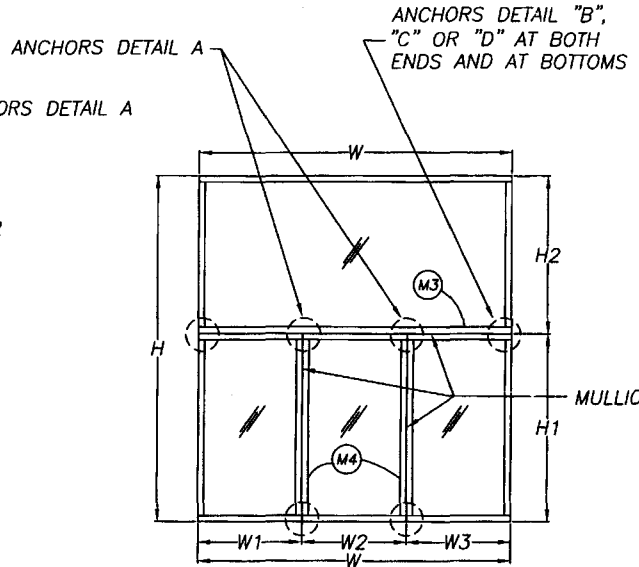


$W = W1 + W2$
 $H = H1 + H2$

**(2) WINDOWS MULLED
 W/ONE ABOVE**

FOR DETERMINING MAX ALLOWABLE
 DESIGN PRESSURE SEE TABLES
 ON PAGE 5

- M1) MAX OPENING = H OR H1+H2
 MULL LENGTH = W OR W1+W2
- M2) MAX OPENING = W OR W1+W2
 MULL LENGTH = H1

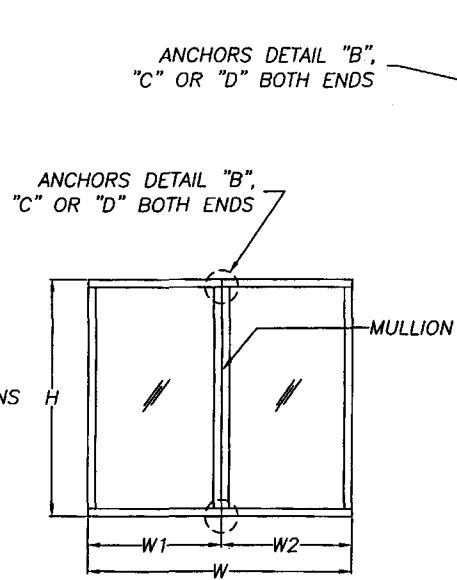


$W = W1 + W2 + W3$
 $H = H1 + H2$

**MULTIPLE WINDOWS MULLED
 W/ONE ABOVE**

FOR DETERMINING MAX ALLOWABLE
 DESIGN PRESSURE SEE TABLES
 ON PAGE 5

- M3) MAX OPENING = H OR H1+H2
 MULL LENGTH = W OR W1+W2+W3
- M4) MAX OPENING = W1+W2 OR W2+W3
 MULL LENGTH = H1

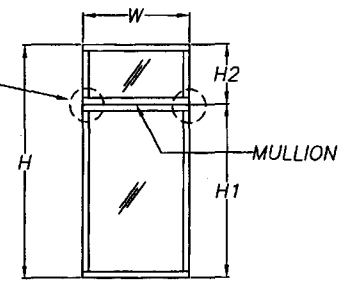


$W = W1 + W2$

(2) WINDOWS MULLED TOGETHER

FOR DETERMINING MAX ALLOWABLE
 DESIGN PRESSURE SEE TABLES
 ON PAGE 5

- MAX OPENING = W OR W1+W2
- MULL LENGTH = H



$H = H1 + H2$

**(1) WINDOW MULLED
 W/ONE ABOVE**

FOR DETERMINING MAX ALLOWABLE
 DESIGN PRESSURE SEE TABLES
 ON PAGE 5
 MAX OPENING = H OR H1+H2
 MULL LENGTH = W

NOTES:

1. THE 33 1/3% STRESS INCREASE HAS NOT BEEN USED IN THE DESIGN OF THIS PRODUCT. FOR ANCHORAGE TYPE, QUANTITY AND LOCATION, REFER TO SHEETS 2, 3 AND 5.
2. WINDOWS AND DOORS OR COMBINATIONS THEREOF MAY BE MULLED TO A MAXIMUM OF (7) UNITS.
3. MULLIONS ARE APPROVED FOR IMPACT AND NON-IMPACT APPLICATIONS.
4. REFERENCE - TEST REPORTS: FTL-2902, 2903 AND 2975.
 ELCO TEXTRON NOA: 04-0721.01, 03-0225.05
 ANSI/AF&PA NDS-2001 FOR WOOD CONSTRUCTION
 ADM-2000 ALUMINUM DESIGN MANUAL
5. THIS PRODUCT HAS BEEN DESIGNED & TESTED TO COMPLY WITH THE REQUIREMENTS OF THE FLORIDA BUILDING CODE, 2004 EDITION FOR THE HIGH VELOCITY HURRICANE ZONE (HVHZ).
6. WOOD BUCKS BY OTHERS, MUST BE ANCHORED PROPERLY TO TRANSFER LOADS TO THE STRUCTURE.

[Signature]
 5/30/06

Robert L. Clark, P.E.
 PE #39712
 Structural

TO BE USED ONLY WITH PGT INDUSTRIES PRODUCTS



1070 TECHNOLOGY DRIVE
 NOKOMIS, FL 34275
 P.O. BOX 1529
 NOKOMIS, FL 34274

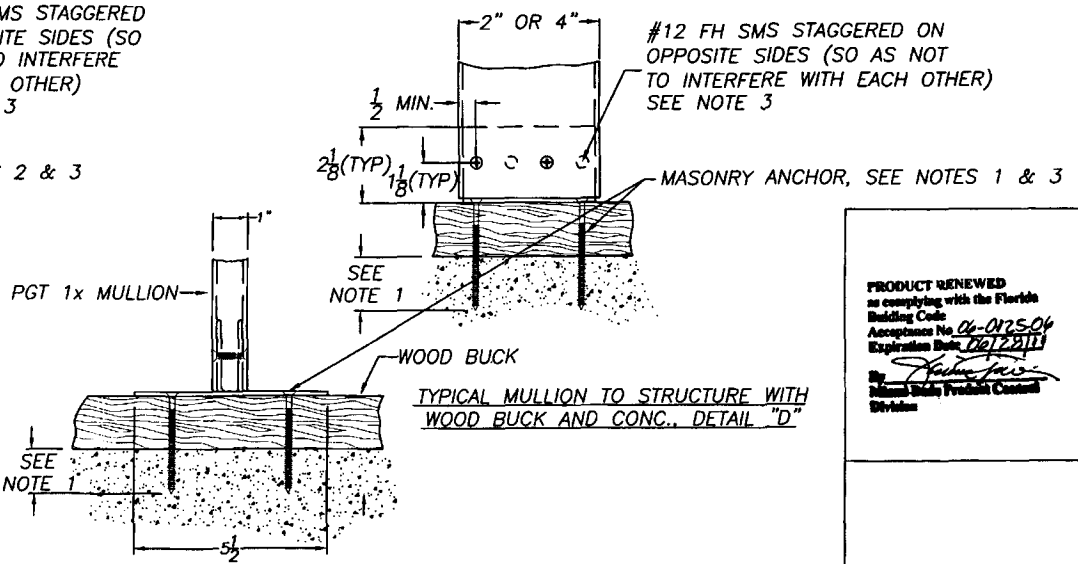
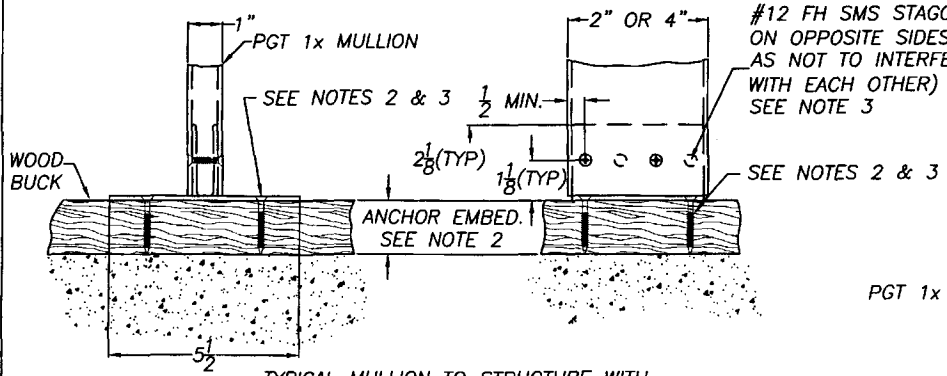
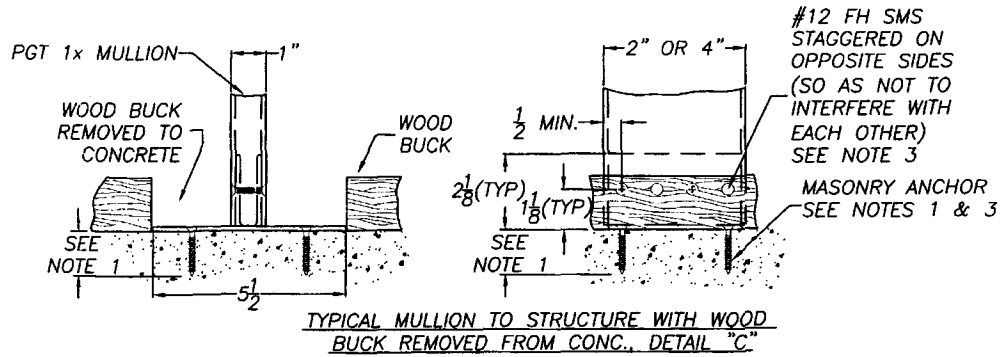
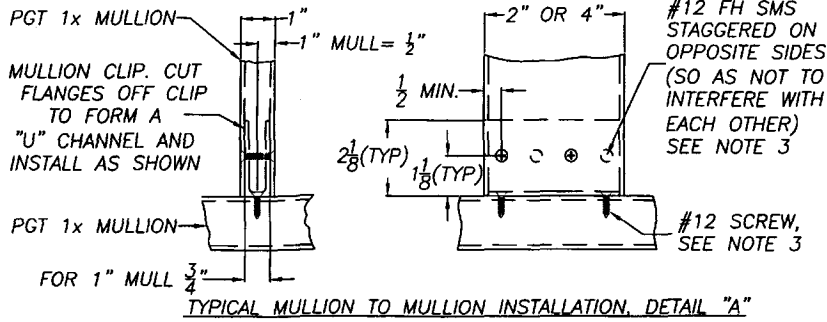
Revised By: F.K.	Date: 5/30/06	Revisions: D-ADD NOTES 5 & 6
Revised By: F.K.	Date: 5/8/06	Revisions: C-ADD TECH. REFS.
Drawn By: P.J.P.	Date: 4/28/00	

Description:
1" STANDARD WALL, ELEVATIONS

Title:
ALUMINUM TUBE CLIPPED MULLION

Series/Model: MULLS	Scale: NTS	Sheet: 1 of 5	Drawing No. 6220	Rev: D
------------------------	---------------	------------------	---------------------	-----------

PRODUCT RENEWED
 as complying with the Florida
 Building Code
 Acceptance No. 04-0125.04
 Expiration Date: 06/22/11
[Signature]
 National Plastic Product Control
 Division



NOTES:

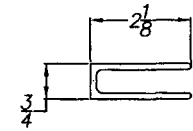
- FOR CONCRETE APPLICATIONS IN MIAMI-DADE COUNTY, USE ONLY MIAMI-DADE COUNTY APPROVED ELCO 1/4" TAPCONS OR 1/4" SS4 CRETE-FLEX MASONRY ANCHORS. MINIMUM DISTANCE FROM CENTER OF ANCHORS TO CONCRETE EDGE IS 2 1/2". MIN. EMBEDMENT: TAPCONS 1 1/4". CRETE-FLEX 1 3/4"
- FOR WOOD APPLICATIONS USE #12 SCREWS, ELCO 1/4" TAPCONS OR 1/4" SS4 CRETE-FLEX MASONRY ANCHORS. MIN. EMBEDMENT 1 1/2"
- ANCHOR EMBEDMENT TO BASE MATERIAL SHALL BE BEYOND WALL DRESSING OR STUCCO.
- FOR MULL SIZE AND QUANTITY OF ANCHORS SEE SHEET 5. FOR ANCHOR LOCATIONS SEE SHEET 3. QUANTITY OF PINNING SCREWS FOR MULL-TO-CLIP TO BE HALF THE QUANTITY OF ANCHORS FROM CLIP-TO-OPENING (MINIMUM OF 2 SCREWS PER CLIP).
- IMPORTANT:** QUANTITY OF ANCHORS SHOWN ABOVE ARE FOR PICTORIAL REPRESENTATION ONLY. FOR CORRECT QUANTITY OF ANCHORS, REFER TO CHARTS 1 AND 2 ON SHEET 5. FIND THE APPLICABLE MULL SIZE AND PRESSURE REQUIRED FOR YOUR SPECIFIC APPLICATION. ANCHORING OR LOADING CONDITIONS NOT SHOWN IN THESE DETAILS ARE NOT PART OF THIS APPROVAL.
- REFERENCE TEST REPORTS: FTL-2902, 2903 AND 2975.

PRODUCT RENEWED
 as complying with the Florida
 Building Code
 Acceptance No. 06-0725-04
 Expiration Date: 12/22/11
 By: [Signature]
 Miami-Dade Product Control
 Division

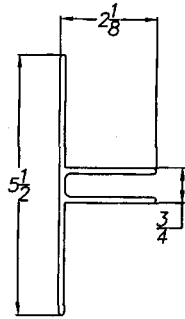
TO BE USED ONLY WITH PGT INDUSTRIES PRODUCTS

[Signature]
 5/5/06
 Robert L. Clark, P.E.
 PE #39712
 Structural

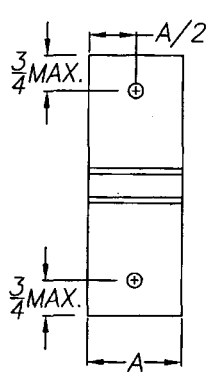
	Rev'd By: F.K. Date: 5/30/06 Revisions: D-MODIFY NOTES 3 & 5
	Rev'd By: F.K. Date: 5/8/06 Revisions: G-ADD EMBED. DETAILS
	Drawn By: P.J.P. Date: 4/28/00
Description: 1" STD. WALL, CLIP INSTALLATION DETAIL	
Title: ALUMINUM TUBE CLIPPED MULLION	
Series/Model: MULLS	Scale: NTS
Sheet: 2 of 5	Drawing No. 6220
Rev: D	



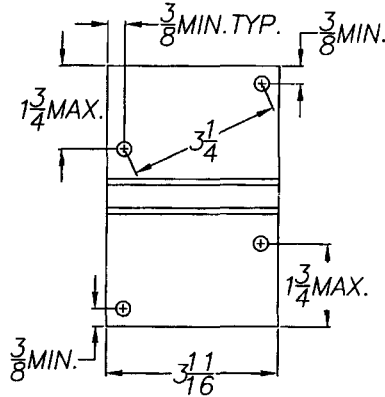
1" MULL CLIP
W/TABS REMOVED
(CLIP TO MULL)
EXTRUSION DWG #1099



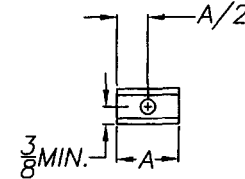
1" MULL CLIP
(CLIP TO OPENING)
EXTRUSION DWG #1099



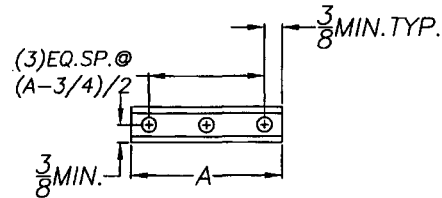
Ⓐ TWO (2) ANCHOR LOCATIONS



Ⓑ FOUR (4) ANCHOR LOCATIONS



Ⓐ ONE (1) ANCHOR LOCATION



Ⓒ THREE (3) ANCHOR LOCATIONS

PRODUCT RENEWED
as complying with the Florida
Building Code
Acceptance No. 06-0125-06
Expiration Date 06/12/11
By: [Signature]
National Glass Product Control
Division

NOTES:

- IMPORTANT: QUANTITY OF ANCHORS SHOWN ARE FOR PICTORIAL REPRESENTATION ONLY. FOR CORRECT QUANTITY OF ANCHORS, PLEASE REFER TO CHARTS 1 AND 2 ON SHEET 5. FIND THE CORRECT MULL SIZE AND PRESSURE REQUIRED FOR YOUR SPECIFIC APPLICATION.
- 3/8 MIN. EDGE DISTANCE APPLIES TO ALL DIMENSION SHOWN AS MAX.
- REFERENCE TEST REPORTS: FTL-2902, 2903 AND 2975.

CLIP LENGTH CHART FOR 1x MULL	
MULL SIZE	'A'
1 x 2 x 1/8	1 11/16
1 x 4 x 1/8	3 11/16

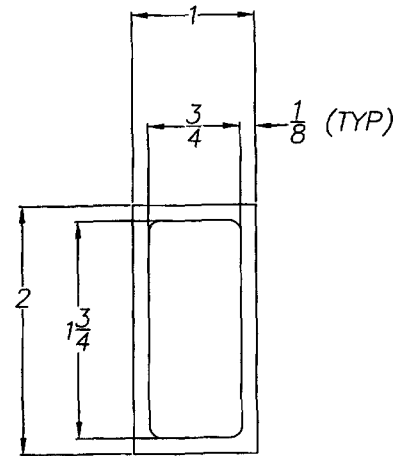
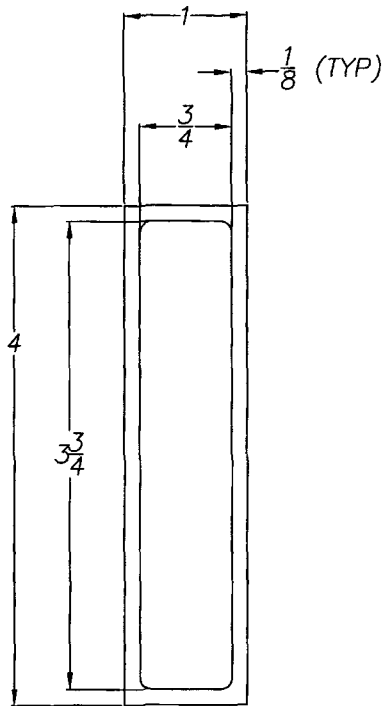
TO BE USED ONLY WITH PGT INDUSTRIES PRODUCTS

[Signature]
5/30/06
Robert L. Clark, P.E.
PE #39712
Structural

Revised By: F.K.	Date: 5/30/06	Revisions: D-NO CHG THIS SHT
Revised By: F.K.	Date: 5/8/06	Revisions: C-REVISE SPACING
Drawn By: P.J.P.	Date: 4/28/00	
Description: 1" STD. WALL, ANCHOR LOCATIONS		
Title: ALUMINUM TUBE CLIPPED MULLION		
Series/Model: MULLS	Scale: NTS	Sheet: 3 of 5
Drawing No. 6220	Rev: D	



1070 TECHNOLOGY DRIVE
NOKOMIS, FL 34275
P.O. BOX 1529
NOKOMIS, FL 34274



1x STD. WALL MULLS

MAT'L: 6063-T6

PRODUCT RENEWED
 as complying with the Florida
 Building Code
 Acceptance No. *DE-0125-06*
 Expiration Date *06/12/11*
 By *[Signature]*
 Miami Beach Product Control
 Division

NOTE:

1. REFERENCE TEST REPORT FTL-2902, 2903 AND 2975

[Signature]
 5/30/00
 Robert L. Clark, P.E.
 PE #39712
 Structural

TO BE USED ONLY WITH PGT INDUSTRIES PRODUCTS				
Revised By: F.K.	Date: 1/9/06	Revisions: B-NO CHG. THIS SHIT.		
Revised By: F.K.	Date: 5/8/06	Revisions: C-NO CHG THIS SHIT		
Drawn By: P.J.P.	Date: 4/28/00			
Description: 1" STD. WALL, MULLION PROFILES				
Title: ALUMINUM TUBE CLIPPED MULLION				
Series/Model: MULLS	Scale: 1X	Sheet: 4 of 5	Drawing No. 6220	Rev: D



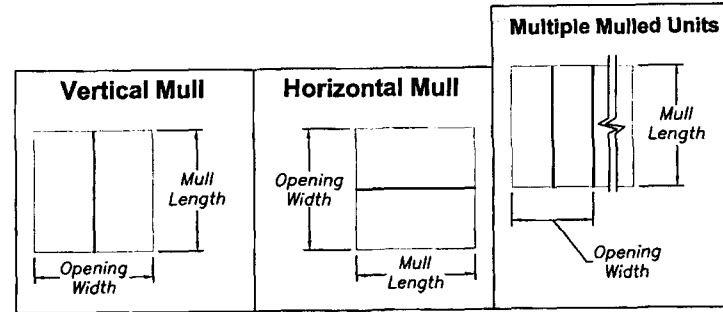
1070 TECHNOLOGY DRIVE
 NOKOMIS, FL 34275
 P.O. BOX 1529
 NOKOMIS, FL 34274

CHART 1. - 1x2x.125

QTY. & TYP.	OPENING WIDTH IN INCHES									
	50	60	70	80	90	100	110	120	130	160
ANCHOR										
CLIP TO OPENING	(2) A (2) B	(2) A (2) B	(2) A (2) B	(2) A (2) B	(2) A (2) B	(2) A (2) B	(2) A (2) B	(2) A (2) B	(2) A (2) B	(2) A (2) B
CLIP TO MULL	(1) B	(1) B	(1) B	(1) B	(1) B	(1) B	(1) B	(1) B	(1) B	(1) B
MULL LENGTH IN INCHES	42	129	115	107	104	103	103	103	103	103
	48	83	73	67	63	61	61	61	61	61
	50.625	70	61	55	52	50	49	49	49	49
	54	57	49	44	41	39	38	38	38	38
	60	41	35	31	29	27	26	25	25	25
	63	35	30	27	24	23	22	21	20	20
	66	30	26	23	21	19	18	18	17	17
	72	23	20	17	16	-	-	-	-	-
	76	20	17	15	-	-	-	-	-	-
	78	18	15	-	-	-	-	-	-	-

CHART 2. - 1x4x.125

QTY. & TYP.	OPENING WIDTH IN INCHES									
	50	60	70	80	90	100	110	120	130	160
ANCHOR										
CLIP TO OPENING	(2) A (4) B	(2) A (4) B	(2) A (4) B	(2) A (4) B	(2) A (4) B	(2) A (4) B	(2) A (4) B	(2) A (4) B	(2) A (4) B	(2) A (4) B
CLIP TO MULL	(3) B	(3) B	(3) B	(3) B	(3) B	(3) B	(3) B	(3) B	(3) B	(3) B
MULL LENGTH IN INCHES	42	170	170	170	170	170	170	170	170	170
	48	170	170	170	170	170	170	170	170	170
	50.625	170	170	170	170	170	170	170	170	170
	54	170	170	170	170	162	158	157	157	157
	60	170	170	157	143	134	127	124	122	122
	63	170	160	141	128	119	112	108	106	106
	66	170	145	127	115	106	100	96	93	92
	72	142	120	105	95	87	81	77	74	72
	76	120	102	90	81	74	69	65	63	61
	78	111	94	83	74	68	63	60	57	55
	84	88	75	65	59	53	49	46	44	42
	90	72	60	53	47	43	39	37	35	33
	96	59	50	43	38	35	32	30	28	27
	108	41	35	30	27	24	22	20	19	18
111	38	32	28	24	22	20	19	17	16	
144	17	-	-	-	-	-	-	-	-	



NOTES:

1. MAXIMUM ALLOWABLE PRESSURE IN PSF.
2. DESIGN IS BASED ON OPENING WIDTH. FOR MULTIPLE UNITS, CONSIDER ONLY TWO ADJACENT UNITS AT A TIME. SEE SHEET 1.
3. REFERENCE TEST REPORT FTL-2902, 2903 AND 2975
4. ANCHOR TYPES: A. ELCO 1/4" TAPCONS, EMBED. (1 1/4") OR 1/4" SS4 CRETE-FLEX, EMBED. (1 3/4")
B. #12 SCREWS
5. SEE ANCHOR SPACING DETAILS SHEET 3.

PRODUCT RENEWED
in complying with the Florida
Building Code
Acceptance No. 06-0175-06
Expiration Date 12/28/11
By: [Signature]
National Mould Products Control
Division

TO BE USED ONLY WITH PGT INDUSTRIES PRODUCTS

[Signature]
5/30/06



1070 TECHNOLOGY DRIVE
NOKOMIS, FL 34275

Robert L. Clark, P.E.
PE #39712
Structural

P.O. BOX 1529
NOKOMIS, FL 34274

Revised By: F.K.	Date: 5/30/06	Revisions: D-NO CHG THIS SHT
Revised By: F.K.	Date: 5/8/04	Revisions: C-MARKED CHANGES
Drawn By: P.J.P.	Date: 4/28/00	

Description:
1" STD. WALL, PRESSURE CHARTS 1 & 2

Title:
ALUMINUM TUBE CLIPPED MULLION

Series/Model: MULLS	Scale: NTS	Sheet: 5 of 5	Drawing No. 6220	Rev: D
------------------------	---------------	------------------	---------------------	-----------